



**Features:**

- Cast brass spout and valves
- Ceramic disc valve cartridge
- Adjustable hot limit safety stop
- Pressure Balance cartridge maintains constant output temperature in response to changes in relative hot and cold supply pressures
- Integral diverter
- Multi-functional showerhead

Pictured: 832/400 Tub & Shower Set

Showerhead Maximum Flow Rate: 2.5 GPM (9.5L/min)

Kit Options	Handle Type	Product Number
Tub & Shower Set	Cross	832/400
PB Diverter Valve Set	Cross	832/140

Available Finishes:	Finish Code
Polished Chrome	100
UltraSteel (PVD)	355

Rough & Trim Options	Handle Type	Product Number
Tub & Shower Set Trim Only*	Cross	832/495
PB Diverter Valve Set Trim Only**	Cross	832/545
Showerhead Only		832/082
Tub Spout Only		832/017
Rough Only		899/261/191

\* Includes Pressure Balance Diverter Valve Trim, Showerhead & Tub Spout

\*\*Pressure Balance Diverter Valve Trim Only

Extension Kits	Product Number
PB Handle Extension Kit	A3195.191
PB Diverter Extension Kit	A3196.191

ROUGH-IN DIAGRAM SHOWN ON REVERSE SIDE

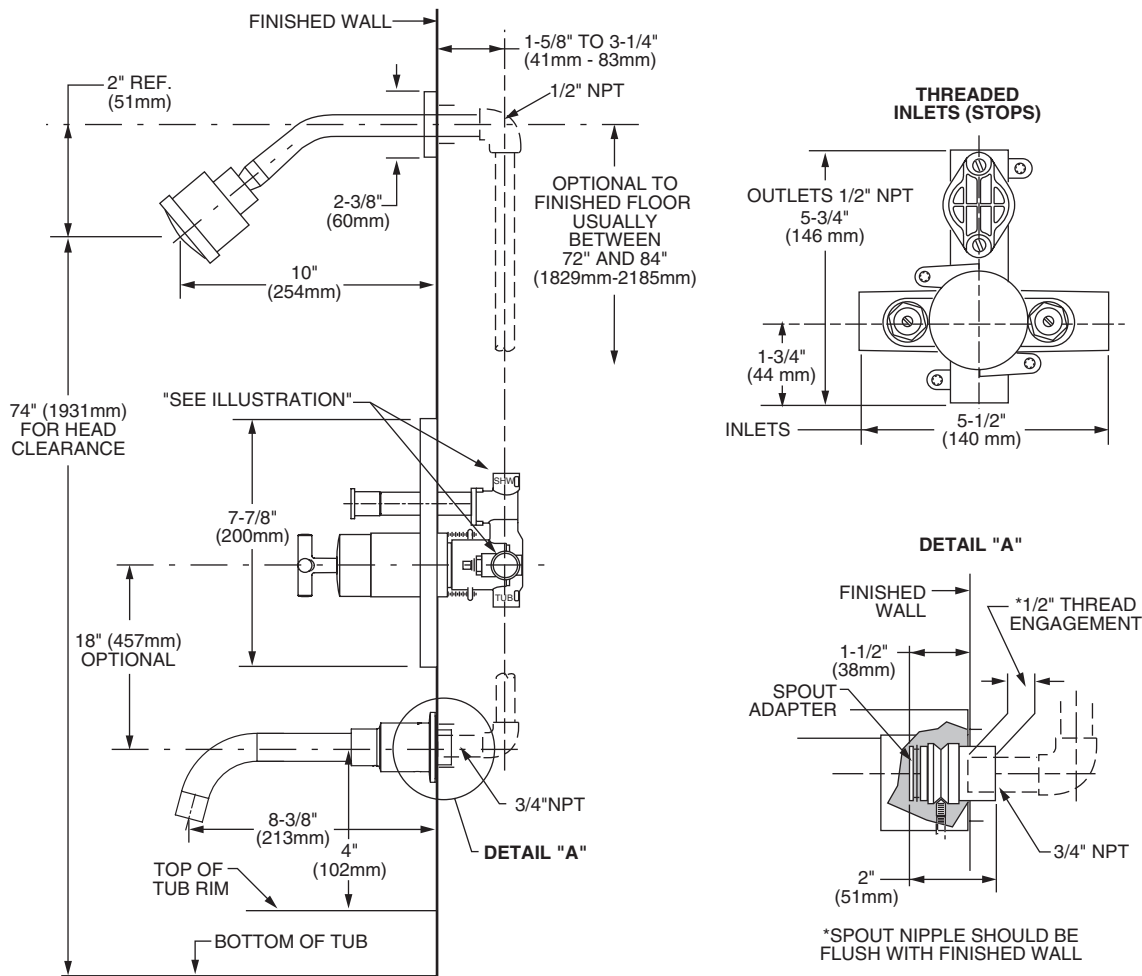
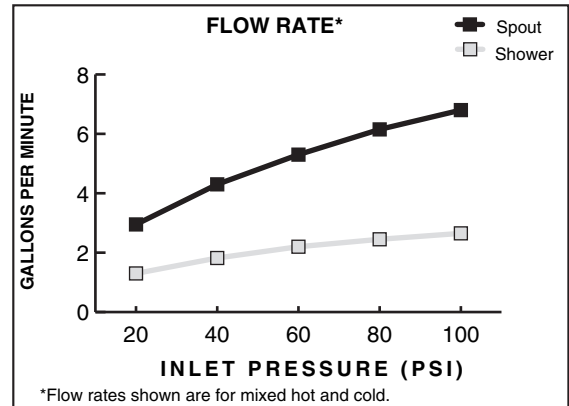
### CODES & STANDARDS

These products meet and exceed the following codes and standards:

**ASME A112.18.1**

**CSA B125**

**ASSE1016**



**IMPORTANT:** These measurements are subject to change or cancellation. No responsibility is assumed for use of superseded or voided pages.