



**Features:**

- Cast brass valves
- Ceramic disc valve cartridge
- Adjustable hot limit safety stop
- Pressure Balance cartridge maintains constant output temperature in response to changes in relative hot and cold supply pressures
- Multi-functional showerhead

Pictured: 832/450 Shower Set

Showerhead Maximum Flow Rate: 2.5 GPM (9.5L/min)

Kit Options	Handle Type	Product Number
Shower Set	Cross	832/450
PB Shower Valve Set	Cross	832/130

Available Finishes:	Finish Code
Polished Chrome	100
UltraSteel (PVD)	355

Rough & Trim Options	Handle Type	Product Number
Shower Set Trim Only*	Cross	832/485
PB Shower Valve Set Trim Only**	Cross	832/535
Showerhead Only		832/082
Rough Only		899/260/191

\* Includes Pressure Balance Shower Valve Trim & Showerhead

\*\*Pressure Balance Shower Valve Trim Only

ROUGH-IN DIAGRAM SHOWN ON REVERSE SIDE

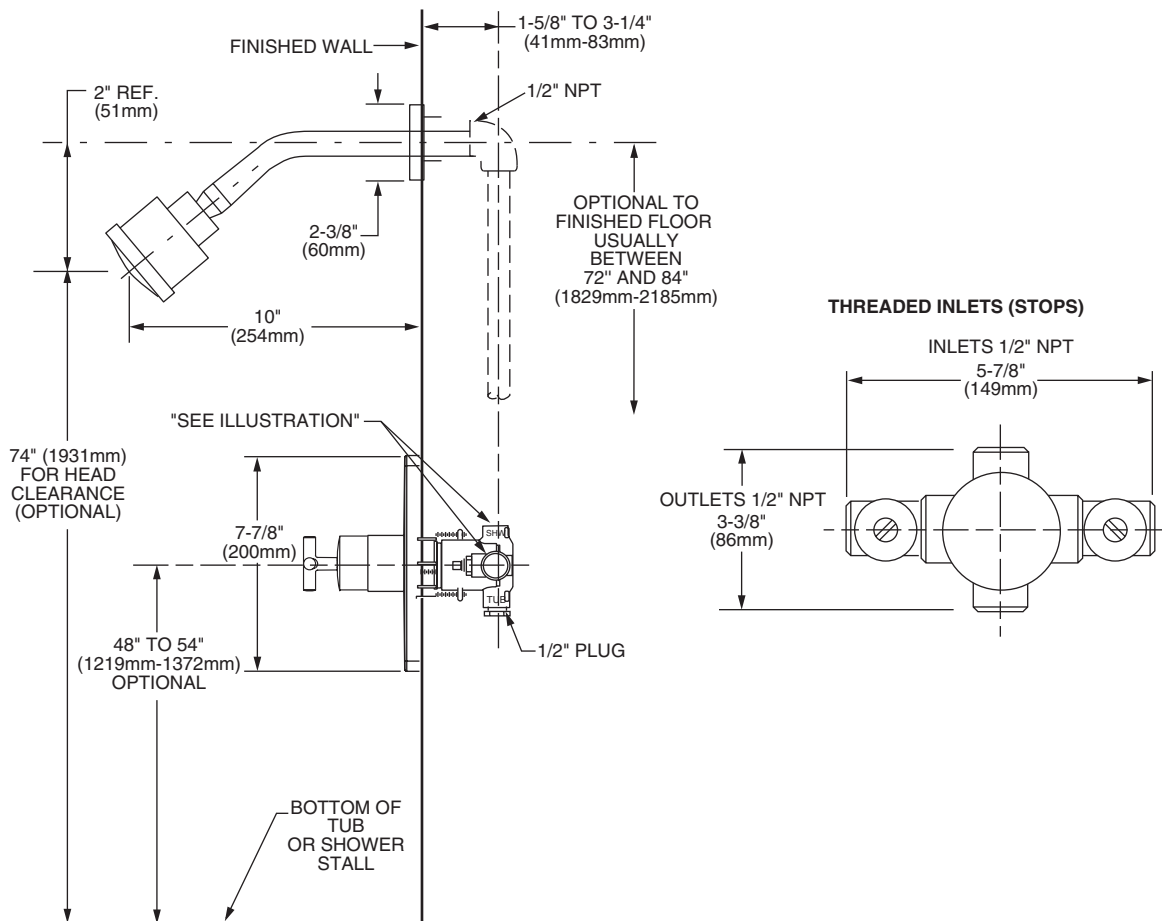
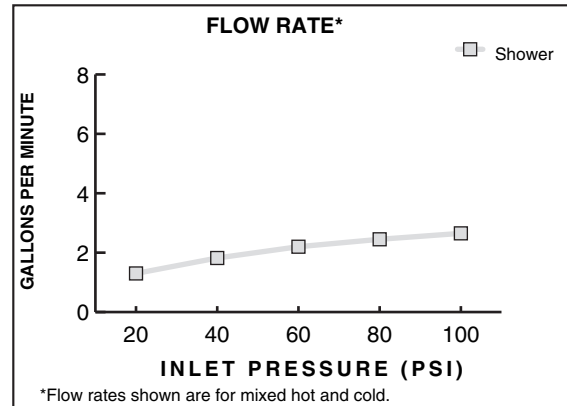
### CODES & STANDARDS

These products meet and exceed the following codes and standards:

**ASME A112.18.1**

**CSA B125**

**ASSE1016**



**IMPORTANT:** These measurements are subject to change or cancellation. No responsibility is assumed for use of superseded or voided pages.