



### Features:

- Ceramic disc valve cartridge
- Cast brass valve body with built-in check stops
- Adjustable hot limit safety stop
- Wax Thermostatic Unit permits shuttle valve to move between the hot and cold seats to maintain the preselected constant water temperature
- Maximum Temperature Limit: 112°

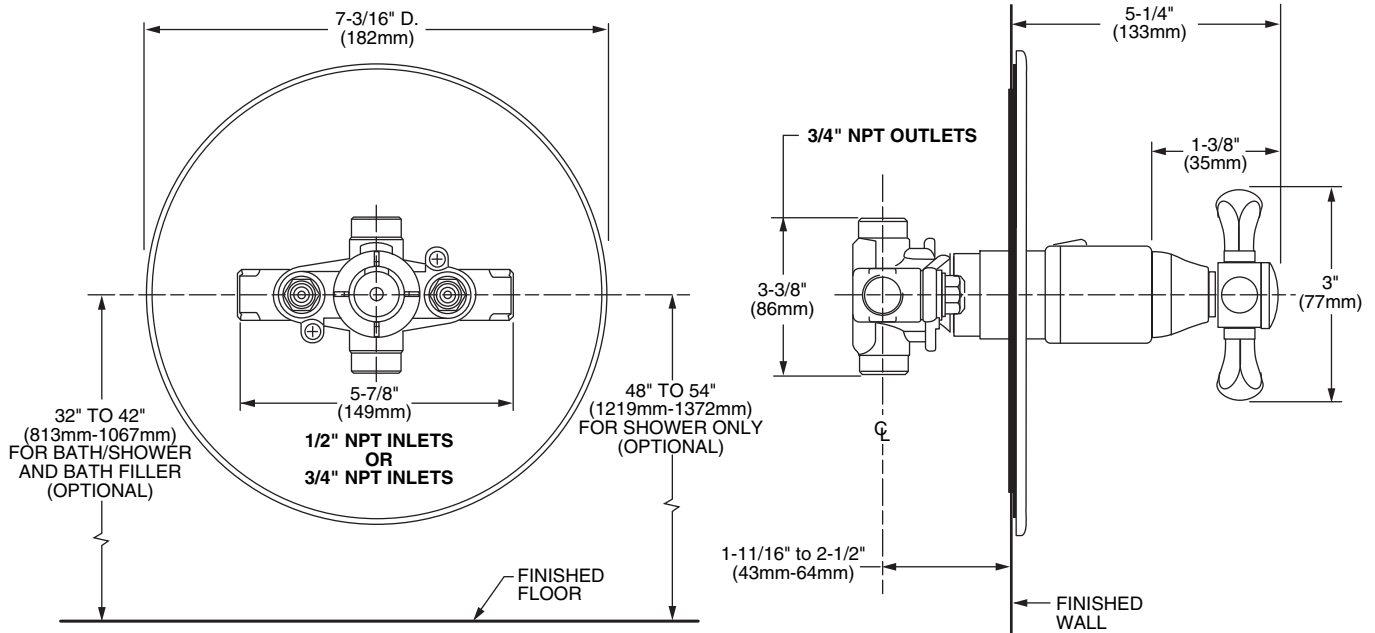
Pictured: 818/780 Thermostatic Mixing Valve

Kit Options	Handle Type	Product Number
1/2" Thermostatic Mixing Valve Set	Cross	818/785
3/4" Thermostatic Mixing Valve Set	Cross	818/780

Rough & Trim Options	Handle Type	Product Number
1/2" Trim Only	Cross	818/712
3/4" Trim Only	Cross	818/712
1/2" Rough Only		875/612/191
3/4" Rough Only		875/614/191

Extension Kits	Product Number
Handle Extension Kit	H960892.191

Available Finishes:	Finish Code
Polished Chrome	100
Brushed Nickel	144
Platinum Nickel	150



**IMPORTANT:** These measurements are subject to change or cancellation. No responsibility is assumed for use of superseded or voided pages.

### CODES & STANDARDS

These products meet and exceed the following codes and standards:

**ASME A112.18.1**

**CSA B125**

**ASSE1016**

