



Features:

- Cast brass valves
- Ceramic disc valve cartridge
- Adjustable hot limit safety stop
- Pressure Balance cartridge maintains constant output temperature in response to changes in relative hot and cold supply pressures
- Multi-functional showerhead
- Available with Cross or Lever Handle

Pictured: 818/450 Shower Set with Cross Handle

Showerhead Maximum Flow Rate: 2.5 GPM (9.5L/min)

Kit Options	Handle Type	Product Number
Shower Set	Cross	818/450
Shower Set	Lever	818/451
PB Shower Valve Set	Cross	818/130
PB Shower Valve Set	Lever	818/131



Available Finishes:	Finish Code
Polished Chrome	100
Brushed Nickel	144
Platinum Nickel	150
Diamond (PVD)	167

Rough & Trim Options	Handle Type	Product Number
Shower Set Trim Only*	Cross	818/485
Shower Set Trim Only*	Lever	818/486
PB Shower Valve Set Trim Only**	Cross	818/535
PB Shower Valve Set Trim Only**	Lever	818/536
Showerhead Only		818/082
Rough Only		899/260/191

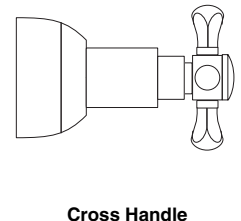
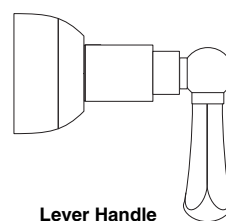


* Includes Pressure Balance Shower Valve Trim & Showerhead

**Pressure Balance Shower Valve Trim Only

Extension Kits	Product Number
PB Handle Extension Kit	A3195.191

Handle Options:



ROUGH-IN DIAGRAM SHOWN ON REVERSE SIDE

CODES & STANDARDS

These products meet and exceed the following codes and standards:

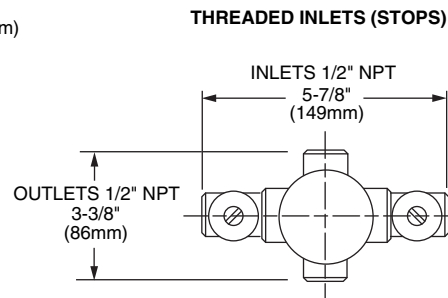
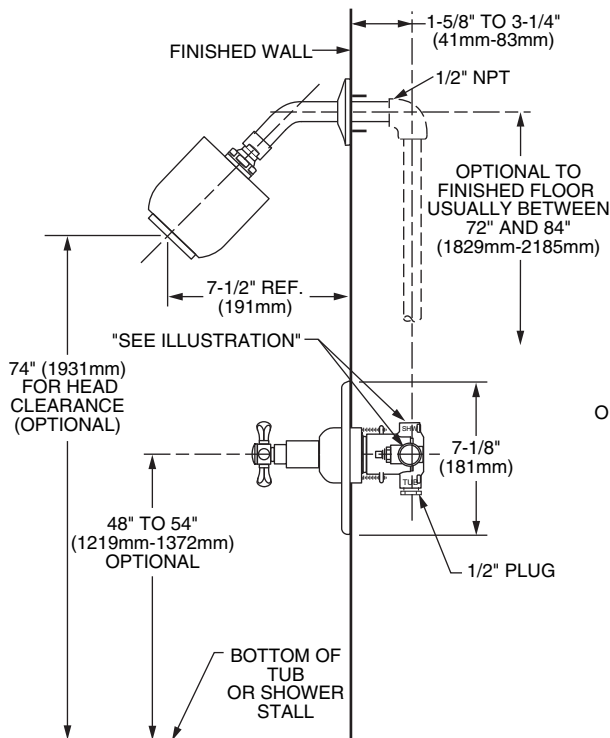
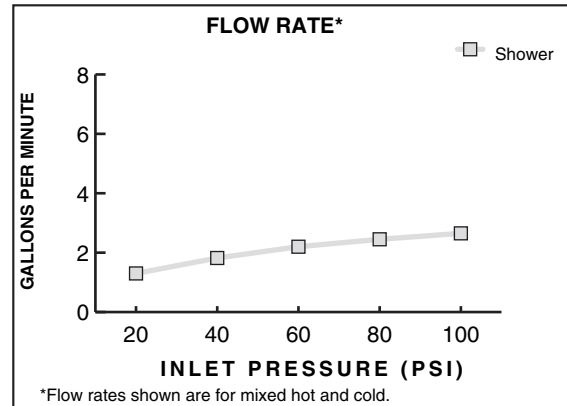
ASME A112.18.1

CSA B125

ASSE1016



Meets the American Disabilities Act Guidelines and **ANSI A117.1** Requirements for the physically challenged.



IMPORTANT: These measurements are subject to change or cancellation. No responsibility is assumed for use of superseded or voided pages.