



Features:

- Cast brass spout and valves
- Ceramic disc valve cartridge
- Adjustable hot limit safety stop
- Pressure Balance cartridge maintains constant output temperature in response to changes in relative hot and cold supply pressures
- Integral diverter
- Multi-functional showerhead
- Available with Cross or Lever Handle

Pictured: 818/401 Tub & Shower Set with Lever Handle

Showerhead Maximum Flow Rate: 2.5 GPM (9.5L/min)

Kit Options	Handle Type	Product Number
Tub & Shower Set	Cross	818/400
Tub & Shower Set	Lever	818/401
PB Diverter Valve Set	Cross	818/140
PB Diverter Valve Set	Lever	818/141



Available Finishes:	Finish Code
Polished Chrome	100
Brushed Nickel	144
Platinum Nickel	150
Diamond (PVD)	167

Rough & Trim Options	Handle Type	Product Number
Tub & Shower Set Trim Only*	Cross	818/495
Tub & Shower Set Trim Only*	Lever	818/496
PB Diverter Valve Set Trim Only**	Cross	818/545
PB Diverter Valve Set Trim Only**	Lever	818/546
Showerhead Only		818/082
Tub Spout Only		818/009
Rough Only		899/261/191

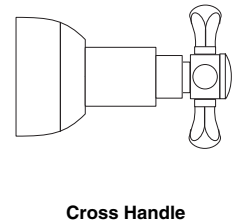
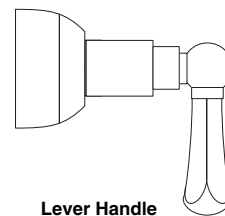


* Includes Pressure Balance Diverter Valve Trim, Showerhead & Tub Spout

**Pressure Balance Diverter Valve Trim Only

Extension Kits	Product Number
PB Handle Extension Kit	A3195.191
PB Diverter Extension Kit	A3196.191

Handle Options:



ROUGH-IN DIAGRAM SHOWN ON REVERSE SIDE

CODES & STANDARDS

These products meet and exceed the following codes and standards:

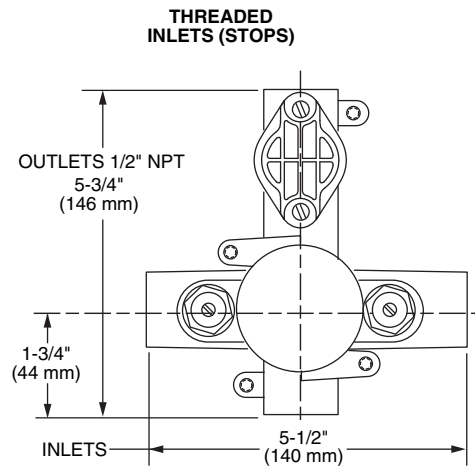
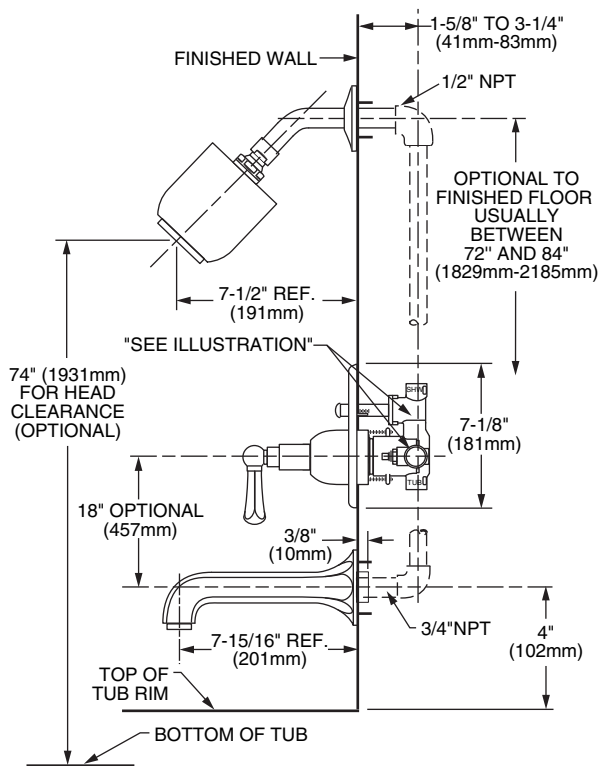
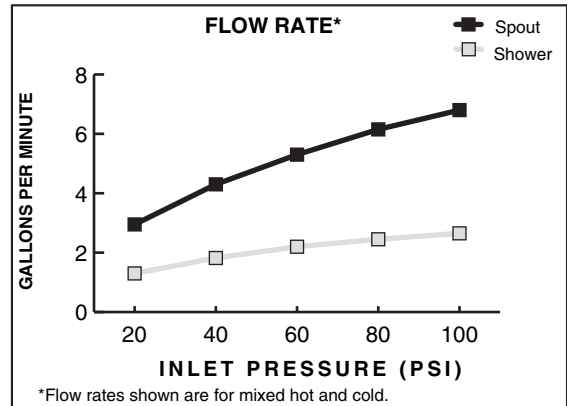
ASME A112.18.1

CSA B125

ASSE1016



Meets the American Disabilities Act Guidelines and **ANSI A117.1** Requirements for the physically challenged.



IMPORTANT: These measurements are subject to change or cancellation. No responsibility is assumed for use of superseded or voided pages.