

# JADO

P r o d u c t s

## Traditional Pot Filler

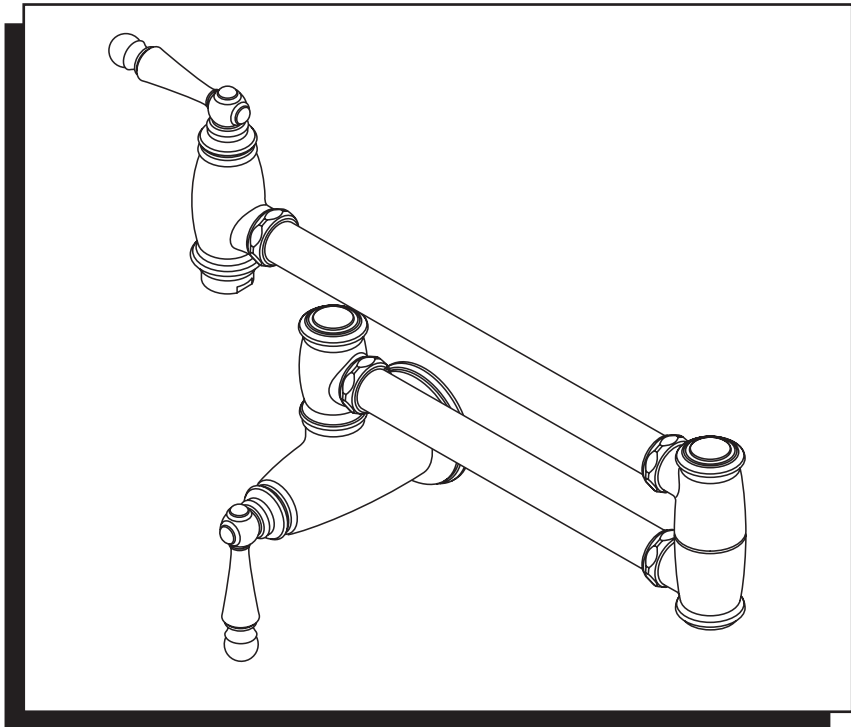
Product Number  
800/902/...

JADO USA  
6615 West Boston  
Chandler, AZ 85226  
Phone: (800) 227-2734  
Fax: (800) 552-JADO (5236)  
[www.jadousa.com](http://www.jadousa.com)

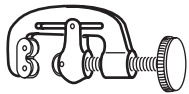
## TRADITIONAL POT FILLER Installation Instructions

To ensure that your installation proceeds smoothly--please read these instructions carefully before you begin.

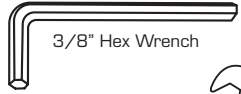
L u x u r y F a u c e t s a n d A c c e s s o r i e s



## RECOMMENDED TOOLS



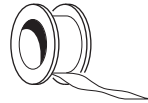
Tubing Cutter



3/8" Hex Wrench



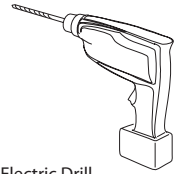
Adjustable Wrench



Teflon Tape



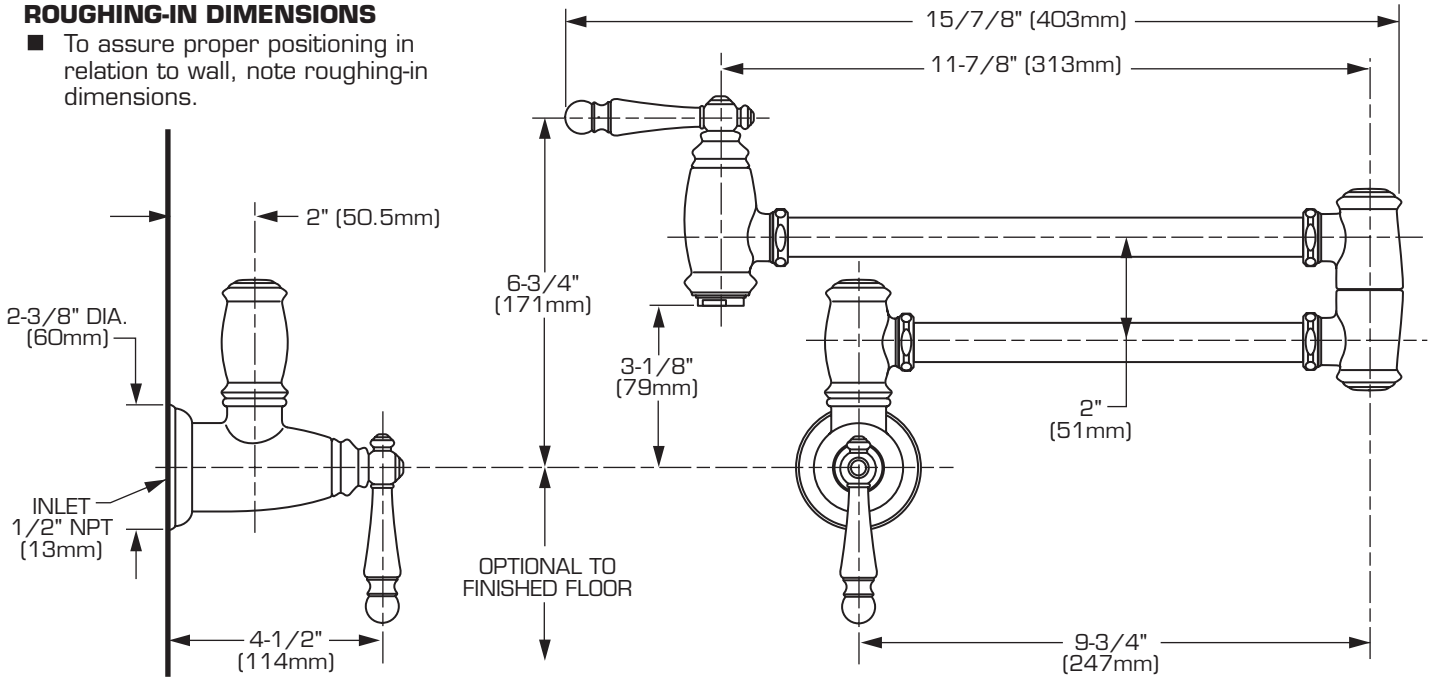
Phillips Screwdriver



Electric Drill

## ROUGHING-IN DIMENSIONS

- To assure proper positioning in relation to wall, note roughing-in dimensions.

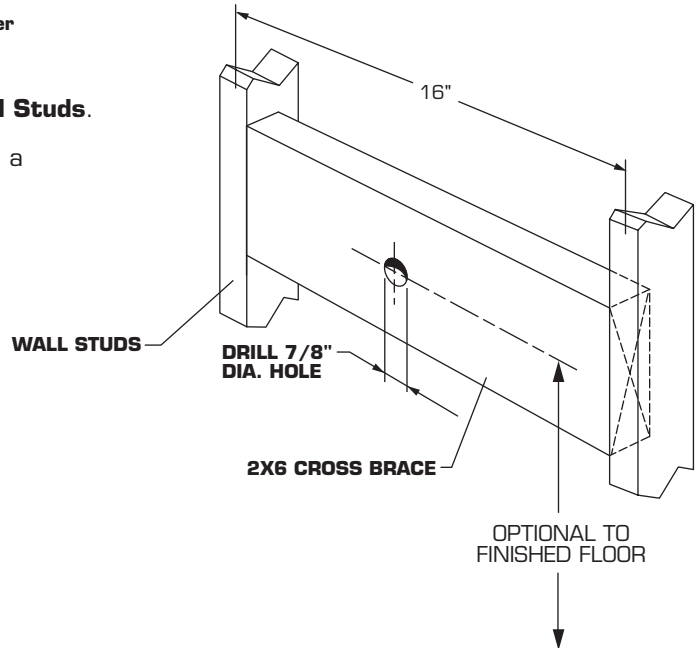
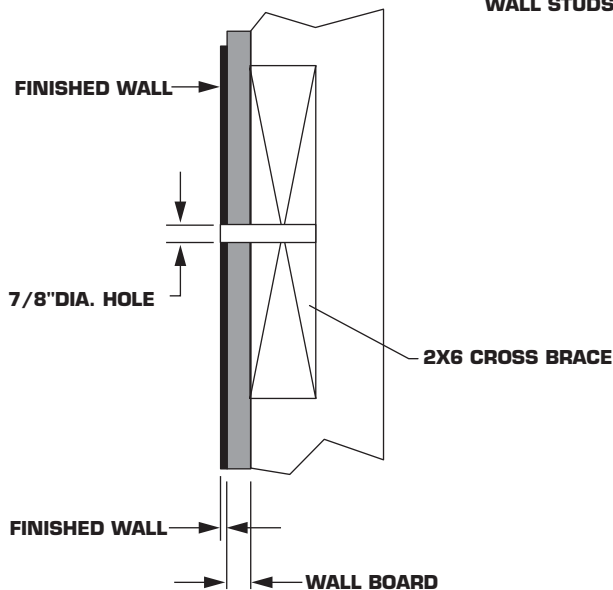


## 1 ROUGHING-IN

### CAUTION

Turn off hot and cold water supplies before beginning.

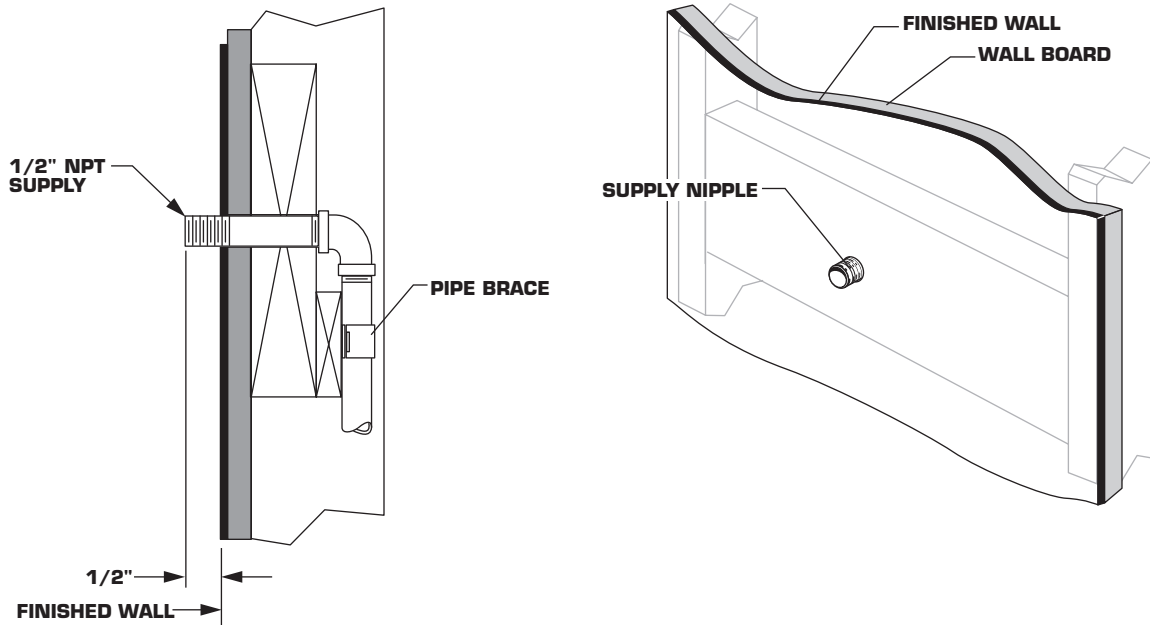
- Install a 2x6 **Cross Brace** within the wall between the **Wall Studs**.
- Determine the supply height from the finished floor and drill a 7/8 inch dia. hole at that location.



## 2

### INSTALL COLD WATER SUPPLY

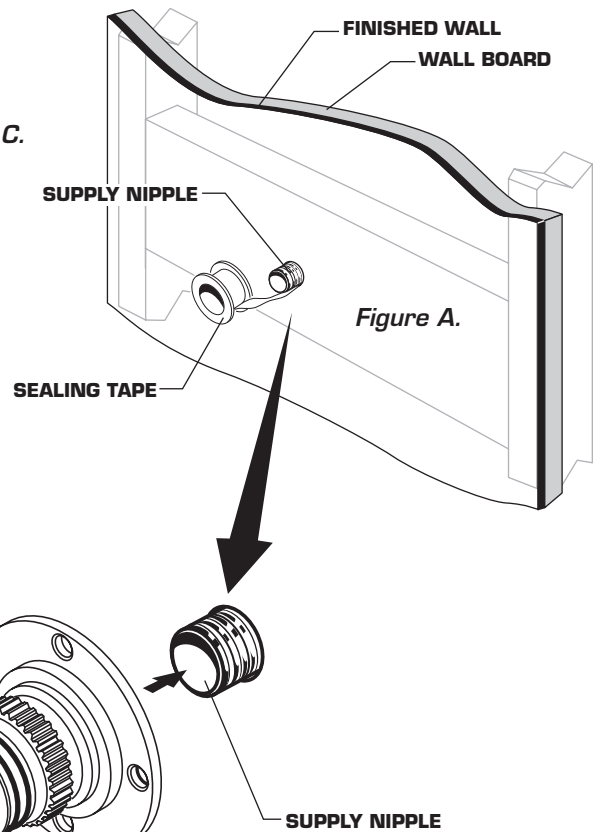
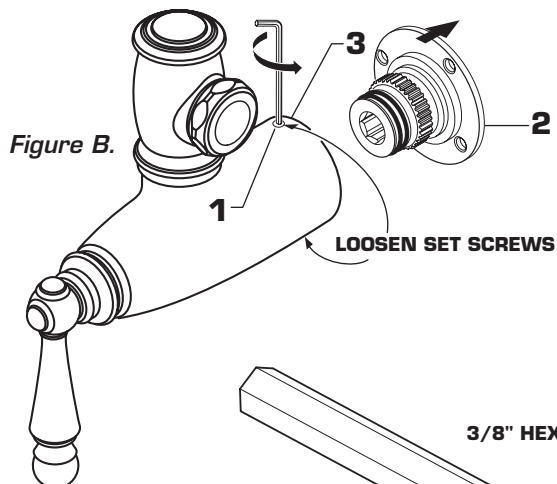
- Install the 1/2" NPT cold water supply. Secure supply pipe to the **Cross Brace**. **Important: The supply pipe must extend 1/2" from the face of the finished wall.**
- Finish installing the wall board and the finished wall.



## 3

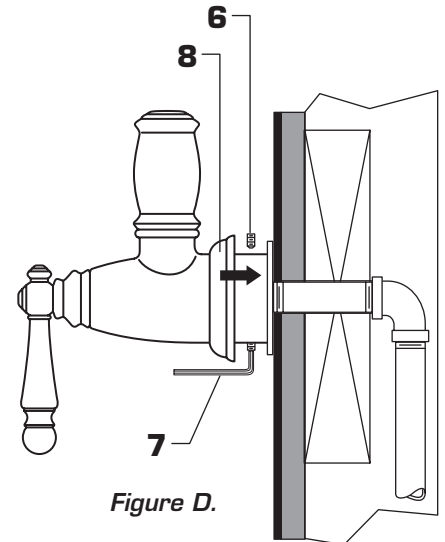
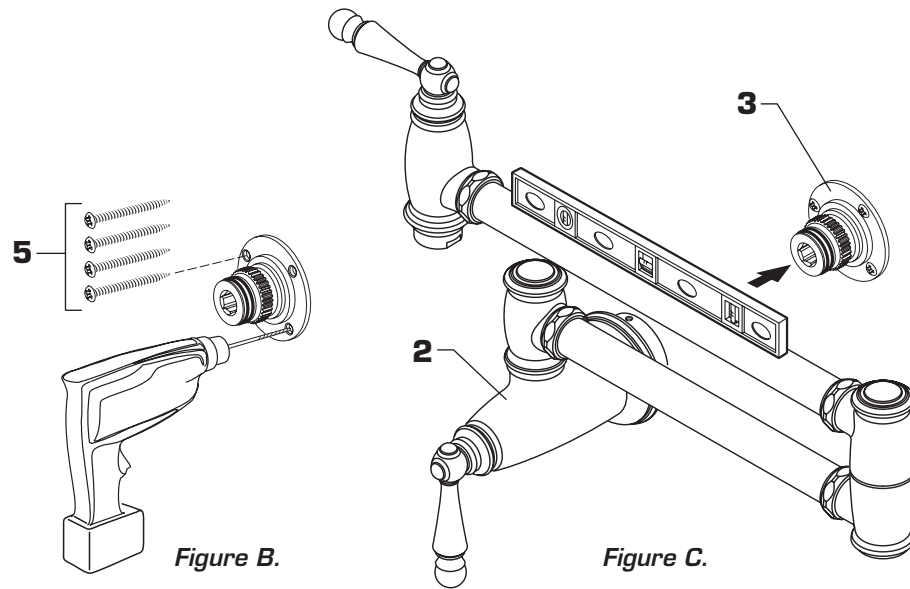
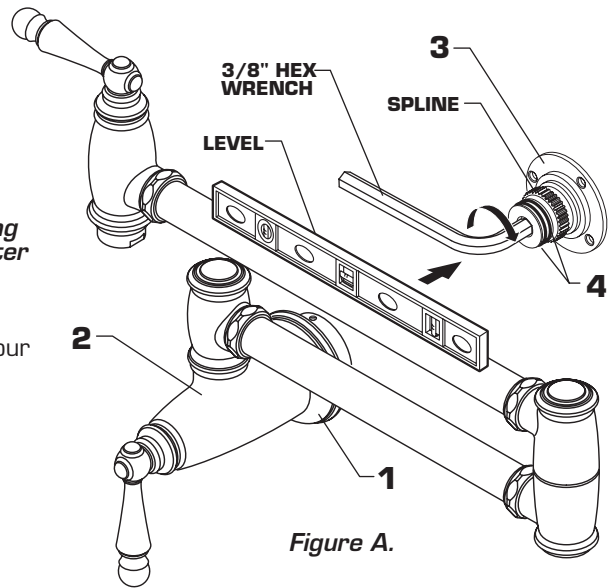
### INSTALL FAUCET MOUNTING ADAPTER

- Apply **Sealing Tape** to the threads of the **Supply Nipple**. *Figure A.*
- Loosen the two SET SCREWS (1) and pull the MOUNTING ADAPTER (2) out from the back of the POT FILLER (3). *Figure B.*
- Thread the MOUNTING ADAPTER (2) onto the **Supply Nipple** until tight against the the finished wall. Use a 3/8 Hex Wrench. *Figure C.*



## 4 INSTALL POT FILLER

- Install the ESCUTCHEON (1) onto the pot filler body. Align the POT FILLER (2) and install it onto the **spline** of the MOUNTING ADAPTER (3). Be careful not to damage the O-RING SEALS (4) on the MOUNTING ADAPTER (3). *Figure A.*
- Use a level as shown to help align the pot filler. **Note: If the pot filler cannot be leveled, remove the pot filler from the mounting adapter. With the 3/8 hex wrench rotate the mounting adapter until a level position is achieved.** *Figure A.*
- When the MOUNTING ADAPTER (3) is properly positioned, drill four pilot holes. Secure the MOUNTING ADAPTER (3) with the four MOUNTING SCREW (5) provided. *Figure B.*
- Reinstall the POT FILLER (2) onto the MOUNTING ADAPTER (3), check for level. *Figure C.*
- If the POT FILLER (2) is level, tighten the two SET SCREWS (6) with the small HEX WRENCH (7) provided. Push the ESCUTCHEON (1) flush against the finished wall. *Figure D.*
- Turn on the water supply. Check for leaks and proper operation.



### TO THE PURCHASER OF JADO BRASS PRODUCTS

**Attention installer:**  
Please leave This Pamphlet for The Owner

**NOTICE: JADO products conform to industry requirements of water conservation under the ASTM / ANSI A112.18.1-2005 plumbing code. Lavatory, bidet, wet bar and kitchen faucet sets have a maximum flow rate of 2.2GPM. Shower heads, hand showers and body sprays have a maximum flow rate of 2.5GPM.**

The state of California has mandated under Proposition #65 that manufactures of products, including faucets which come into contact with potable water, must warn the consumer if the product contains materials listed by the state as a carcinogen or reproductive toxin. Lead, which is contained in all brass faucets in limited amounts appears on the State's list.

Preliminary industry tests have indicated that users of faucets made from brass face no significant danger, however, California Proposition #65 requires that we provide you with the following notice:

*Warning: This product contains an element known to the State of California to cause cancer of reproductive harm.*

JADO BATHROOM AND HARDWARE MFG. CORP.  
6615 West Boston  
Chandler, AZ 85226

#### JADO FAUCET LIFETIME FUNCTION AND FINISH LIMITED WARRANTY

JADO Bathroom & Hardware Manufacturing Corp. provides the following warranties only to the first residential owner of our products. FINISHES

JADO warrants this product to be free from defects in materials or workmanship for as long as the original consumer purchaser owns their home.

JADO will provide, free of charge, at it's sole option, replacement part(s) or product (or if no longer available, a comparable product) to replace those which have proven defective in materials or workmanship.

Proof of purchase (original sales receipt) from the original consumer purchaser must be made available to JADO for all limited warranty claims. This limited warranty is non transferable. It does not apply in the event of product damage due to the use of other than genuine JADO replacement parts, installation error, abuse, misuse, or improper care and maintenance (whether performed by a plumber, contractor, service provider or member of the purchaser's household). The limited warranty excludes damage due to aggressive air or water conditions, or harsh or abrasive cleaners and/or materials. This limited warranty excludes all industrial, commercial and business usage, whose purchasers are hereby extended a two year limited warranty (with the exception of solenoid valves and other electronic components which carry a one year limited warranty) applying to all other terms of this limited warranty except duration. This limited warranty does not cover labor charges incurred and/or damages sustained in installation, repair or replacement, nor incidental or consequential damages, all of which are expressly disclaimed. This limited warranty is applicable only to JADO faucets manufactured after June 1, 1996 and installed in the United States and/or Canada.

This limited warranty gives the original consumer purchaser of an JADO faucet specific legal rights which may vary from state to state or from province to province. This limited warranty does not cover any liability for consequential or incidental damages, all of which are hereby expressly disclaimed, or the extension beyond the duration of this limited warranty of any implied limited warranties, including those of merchantability or fitness for an intended purpose. In some states or provinces the exclusion or limitation of incidental or consequential damages is not allowed, so those exclusions may not apply to you.

**POLISHED BRASS AND CUSTOM FINISH WARRANTY:** A 1 YEAR LIMITED FINISH WARRANTY from date of purchase is provided to the first residential owner against defects in materials and workmanship. Due to the ever-changing finish of Patina products, the finish warranty is excluded. Warranty shall not include problems related to the installation of the product.

**MECHANICS MECHANICAL WARRANTY:** A LIFETIME LIMITED WARRANTY is provided to the first residential owner on parts to be free from failure related to defects in materials and workmanship but not installation.

#### CONDITIONS TO WARRANTIES

JADO Bathroom & Hardware Manufacturing Corp. places the following conditions on its finish and mechanical warranties to the first residential owner only. JADO finish and mechanical warranties are limited to products correctly installed and used in a residential environment. JADO warranties will not assume liability for damage due to abuse, mishandling, incorrect installation, improper maintenance, or deterioration due to normal use.

JADO will not be liable for labor or other costs relating to the sale, installation, or replacement of their products. In the event of a defect in any JADO product covered by this warranty, the product must be returned to the dealer where originally purchased along with proof of purchase. JADO's obligation under the warranty shall be limited to the repair or exchange of any product which has been determined by JADO to be defective after appropriate examination.

H965858