



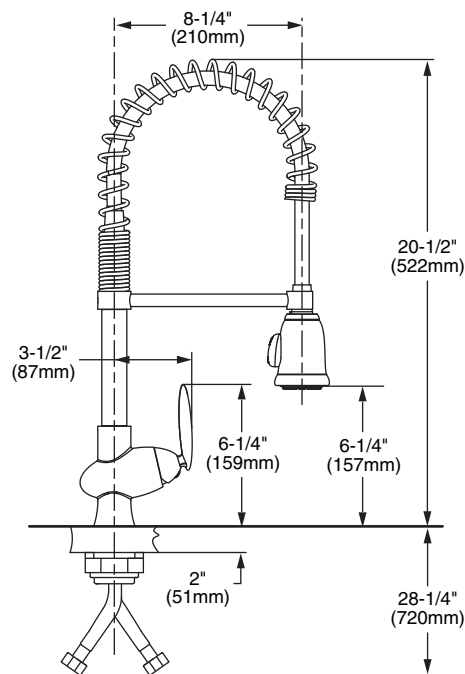
Features:

- Ceramic disc valve cartridge
- Low lead: meets NSF standard 61/Section 9 and Prop 65 lead requirements
- CA AB1953/VT Act 193 Compliant
- 8-1/4" swivel spout
- Spout swivels at 180°
- Pull down sprayer with stainless steel hose protector coil
- Protector coil is removable to be cleaned
- Two-function hand spray
- Two check valves

Maximum Flow Rate: 2.2 GPM (8.3L/min)

	Handle Type	Product Number	
Culinary Kitchen Faucet	Lever	802/870	

Available Finishes:	Finish Code
Polished Chrome	100
Brushed Nickel	144
UltraSteel (PVD)	355



IMPORTANT: These measurements are subject to change or cancellation. No responsibility is assumed for use of superseded or voided pages.

CODES & STANDARDS

These products meet and exceed the following codes and standards:

ASME A112.18.1

CSA B125

NSF 61/Section 9



Meets the American Disabilities Act Guidelines and **ANSI A117.1** Requirements for the physically challenged.

