
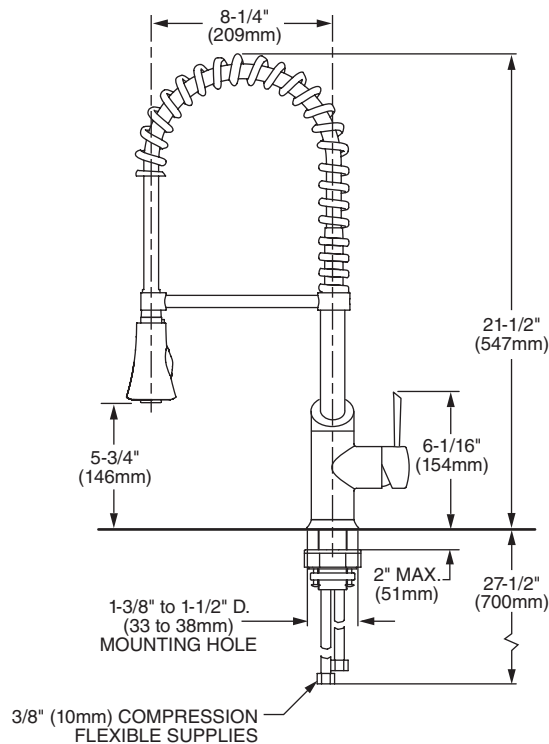




Features:

- Ceramic disc valve cartridge
- Lead Free - Faucet contains $\leq 0.25\%$ total lead content by weighted volume
- 8-1/4" swivel spout
- Spout swivels at 150°
- Pull down sprayer with stainless steel hose protector coil
- Protector coil is removable to be cleaned
- Two-function hand spray
- Two check valves
- Maximum Flow Rate: 2.2 GPM (8.3L/min)

Description	Handle Type	Product Number	Available Finishes	Finish Code
Culinary Kitchen Faucet	Lever	800/870 	Polished Chrome	100
			Brushed Nickel	144
			UltraSteel	355




IMPORTANT: These measurements are subject to change or cancellation. No responsibility is assumed for use of superseded or voided pages.

CODES & STANDARDS

These products meet and exceed the following codes and standards:

- ASME A112.18.1
- CSA B125.1
- NSF 61/Section 9
- Certified Compliant with 0.25% Weighted Average Lead Content Regulations

 Meets the American Disabilities Act Guidelines and ANSI A117.1 Requirements for the physically challenged.

