

Features:

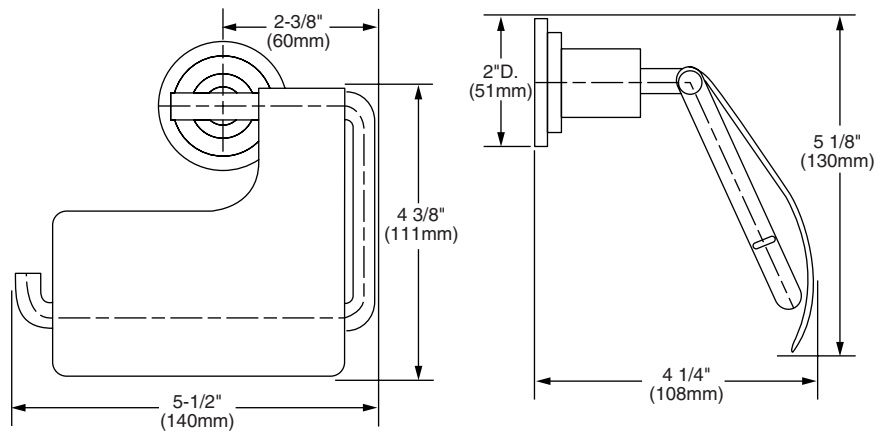
- Solid Brass Construction
- Concealed Mounting



Pictured: 026/145 Hooded Tissue Holder

	Product Number
Hooded Tissue Holder	026/145
Tissue Holder	026/140

Available Finishes:	Finish Code
Polished Chrome	100
Brushed Nickel	144
Platinum Nickel	150
UltraSteel (PVD)	355



IMPORTANT: These measurements are subject to change or cancellation. No responsibility is assumed for use of superseded or voided pages.