

Jacuzzi Signature Collection Oval in Rectangle Drop-In Soaker Bathtub

6042

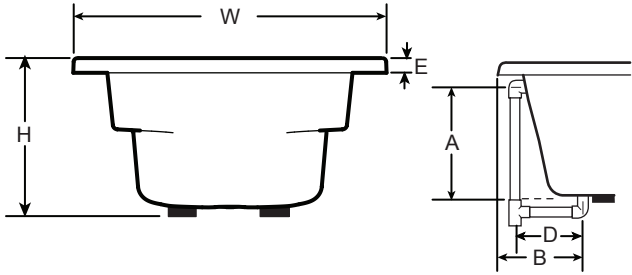
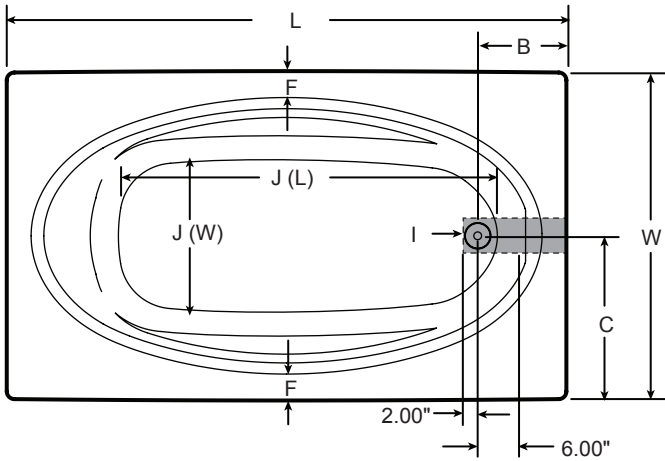
7242

Letter	Description	English	Metric	English	Metric
-	Drain Location	LH / RH drain		LH / RH drain	
-	Cutout	58" x 40" (1473 mm x 1016 mm)		70" x 40" (1778 mm x 1016 mm)	
-	Total Weight	863 lbs	391 kg	966 lbs	438 kg
-	Floor Loading	49.3 lb/ft ²	241 kg/m ²	46 lb/ft ²	225 kg/m ²
-	Operating Gallons (Max)	66 gal	250 l	78 gal	295 l
-	Product Weight	63 lbs	29 kg	66 lbs	30 kg
-	Soaking Depth	15.5"	394 mm	15"	381 mm
L	Outer Length	60"	1524 mm	72"	1829 mm
W	Outer Width	42"	1067 mm	42"	1067 mm
H	Overall Height	21"	533 mm	21"	533 mm
A	Overflow Height	16.25"	413 mm	16.25"	413 mm
B	Long Edge to Drain Center	10.40"	264 mm	11.40"	290 mm
C	Short Edge to Drain Center	21"	533 mm	21"	533 mm
D	Drain Shoe Length	8.40"	213 mm	9.40"	239 mm
E	Deck Height	2"	51 mm	2"	51 mm
F	Deck Width	3"	76 mm	3"	76 mm
G	Service Access Dimensions	N/A	N/A	N/A	N/A
I	Floor Cutout for Drain	12" x 4"	305 mm x 102 mm	12" x 4"	305 mm x 102 mm
J	Interior Dimensions (bottom of bath) L x W	42" x 24"	1067 mm x 610 mm	52.5" x 22"	1334 mm x 559 mm

NOTE

When ordering integral 3-tile flange, flange height on 3-tile flange is 1.25" (32mm) from deck.

Key Dimensions



END VIEW

DRAIN/OVERFLOW

NOTE: Drawings not to scale.