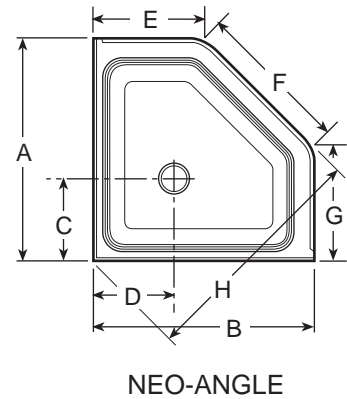
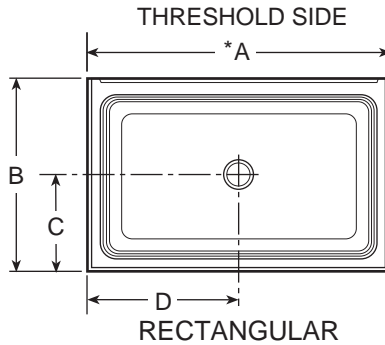
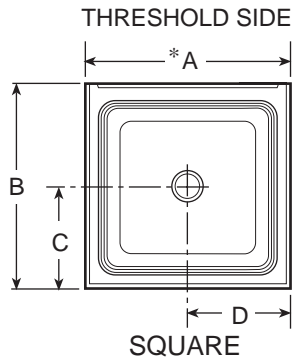




SHOWER BASE INSTALLATION INSTRUCTIONS



* Add 1/8" for rough-in dimensions.

PRODUCT CHART (TRU-LEVEL™)

	PRODUCT NO.	MODEL NAME	DIMENSIONS								PRODUCT WEIGHT
			A	B	C	D	E	F	G	H	
SQUARE	S344000	3636S	36	36	17.5	18.0					24 lb
	S364000	4848S	48	48	23.25	24.0					43 lb
	S348000	4242S	42	42	20.25	21.0					34 lb
RECTANGULAR	S356000	4834S	48	34	16.5	24.0					30 lb
	S368000	6036S	60	36	17.5	30.0					43 lb
	T366000	4248S	42	48	23.25	21.0					38 lb
	T362000	4236S	42	36	17.5	21.0					28 lb
	T370000	6042S	60	42	20.25	30.0					50 lb
	T354000	3642S	36	42	20.25	18.0					28 lb
	T374000	4832S	48	32	15.0	24.0					29 lb
	T232000	4234S	42	34	16.5	21.0					27 lb
	T228000	6034S	60	34	16.5	30.0					39 lb
NEO-ANGLE	T358000	3838N	38	38	14.5	14.5	17.38	29.0	17.38	39.0	23 lb
	S352000	4242N	42	42	16.06	16.06	21.50	29.0	21.50	45.0	29 lb
	S360000	4848N	48	48	16.25	16.25	27.50	29.0	27.50	53.0	39 lb

Product specifications are subject to change without notice.
Use installation instructions provided with product.

Note: This is a professional grade product. A knowledge of construction techniques, plumbing and electrical installation according to codes are required for proper installation and user satisfaction. We recommend that a licensed contractor perform the installation of all Jacuzzi Whirlpool Bath products. Our warranty does not cover improper installation related problems.

INSTALLATION INSTRUCTIONS

4 EASY STEPS TO INSTALL YOUR NEW SHOWER BASE

STEP 1. If the subfloor is level, no other preparation is necessary. You can proceed to install the base. If the subfloor is not level, level shower base by spreading floor leveling compound, mortar, plaster or minimal expansion structural foam with a density of a minimum of 5 lbs./cubic ft. **EVENLY** over **ENTIRE** area where base will be installed. (See Figure 1.) **NOTE:** The compound used **MUST** make contact with the entire bottom surface of the base feet. The base is **NOT** to be supported by the base flange.

STEP 2. Position and install base on leveled surface over drain.

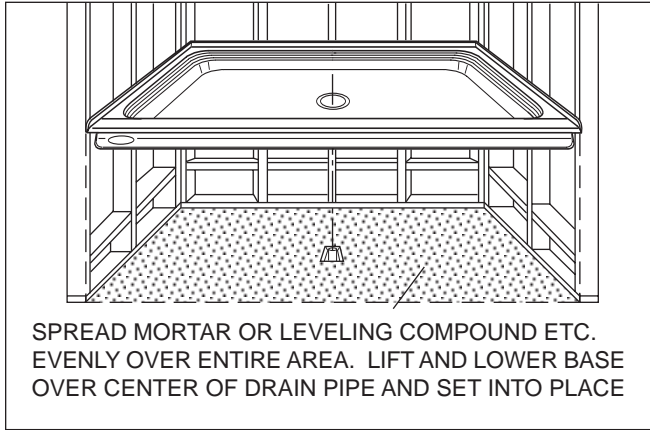


Figure 1

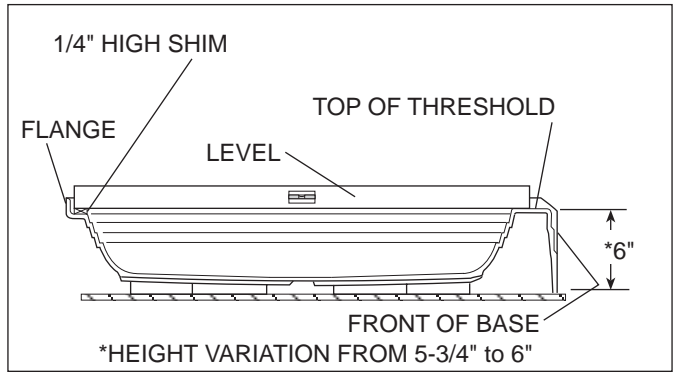


Figure 2A. FRONT TO BACK LEVELING

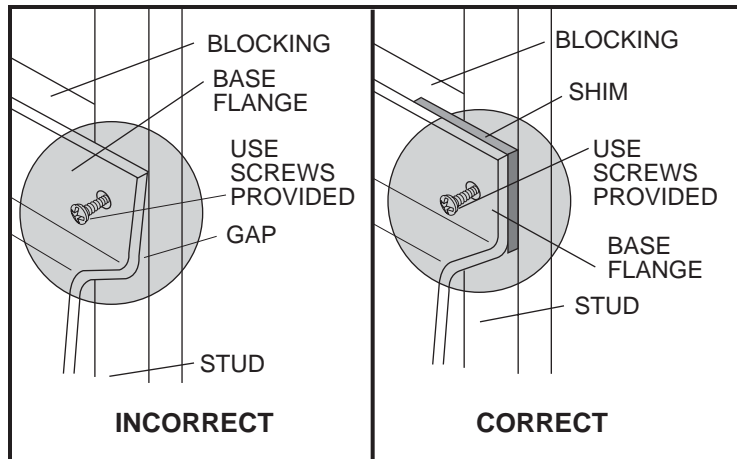


Figure 2B

IMPORTANT: IF THERE IS ANY GAP BETWEEN BASE FLANGE AND STUD OR BLOCKING, SHIMS MUST BE USED.

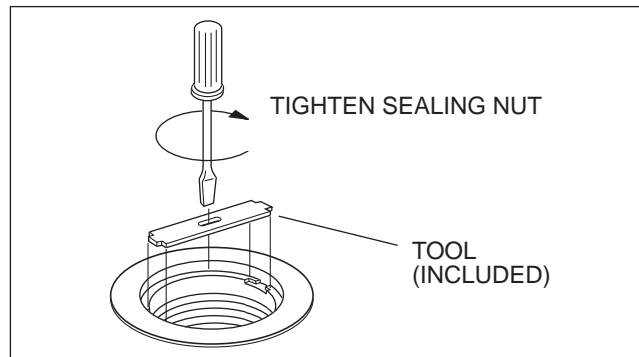


Figure 2C

STEP 3. Install cement board.

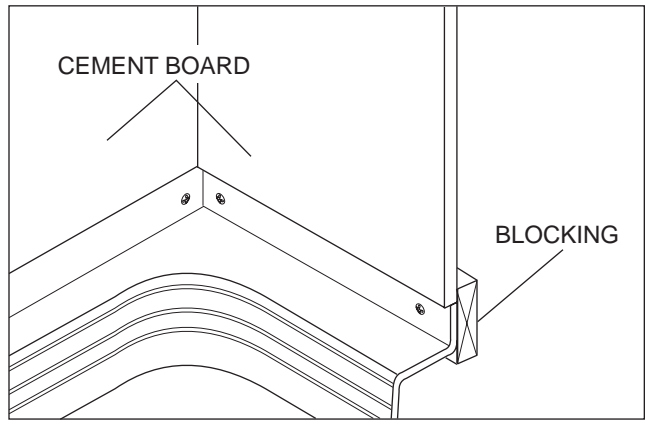


Figure 3

STEP 4. Install finishing materials and caulk base leaving 1/4" weep holes.

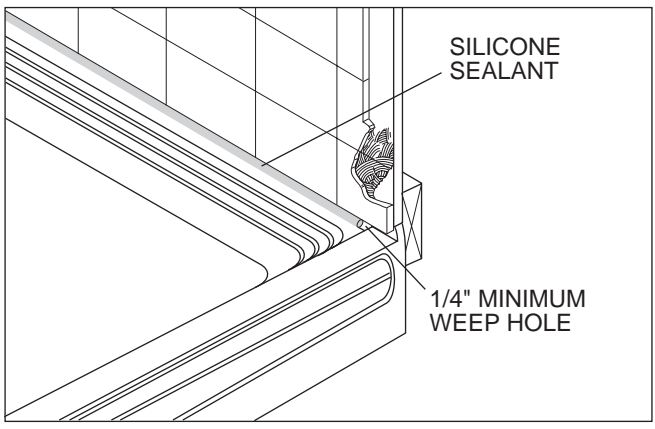


Figure 4A

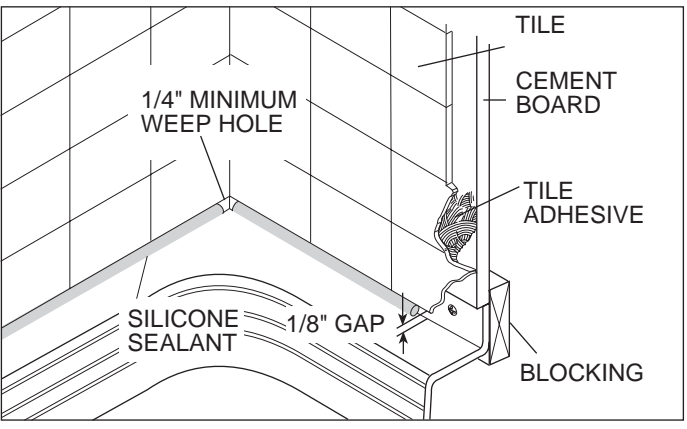


Figure 4B

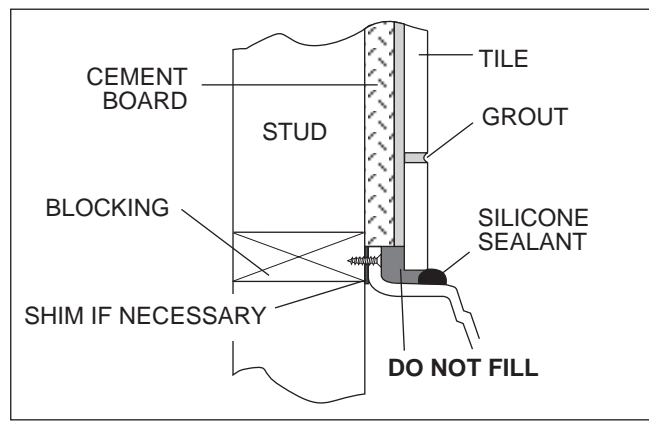


Figure 4C

Filling the area marked DO NOT FILL will prevent moisture from draining back into the base through the weep holes.

Detailed Installations Instructions

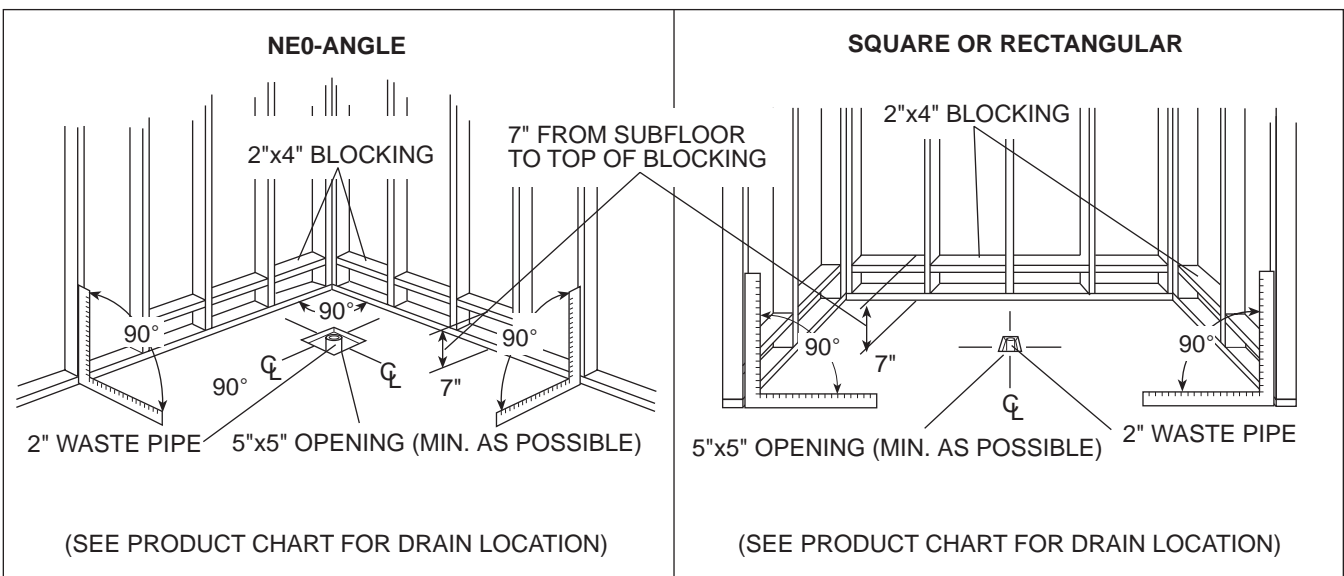
Important: Read complete instructions before beginning installation.

Each shower base is shipped with a shower drain and stainless steel strainer. An optional bright brass strainer is available for installation on the drain assembly.

Remove the shower base from the carton. **Do not destroy the shipping carton until after satisfactory inspection of the product.**

Immediately upon receipt, inspect the base before installing. Should inspection reveal any damage or defect in the finish, do not install the base. Damage or defect to the finish claimed after the base is installed is excluded from the warranty. Jacuzzi Whirlpool Bath's responsibility for shipping damage ceases upon delivery of the products in good order to the carrier. Refer any claims for damage to the carrier. For definitions of warranty coverage and limitations, refer to the published warranty information packaged with the product. Jacuzzi Whirlpool Bath is not responsible for any defect that could have been discovered, repaired, or avoided by following this inspection and testing procedure. Plan the installation in relation to the finished wall surfaces. Take into account the dimensions of both the shower base and the shower door enclosure to be used with it. Install the optional trim parts when all other installation has been completed.

PRELIMINARY ROUGH-IN

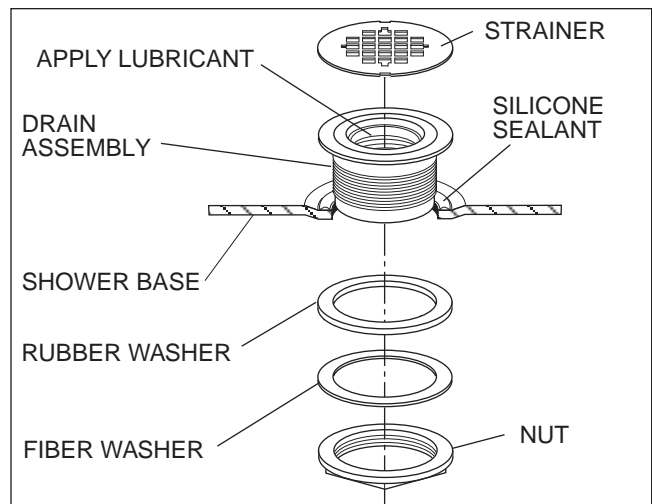


Provide an opening in the subfloor no less than 5" x 5" square. This opening should be located on the center lines of the shower base drain hole (See Product Chart).

The opening is to accommodate a 2" waste pipe. The waste pipe should be 1/4" to 1/2" above the surface of the subfloor.

Remove the stainless steel strainer from the drain assembly. Disassemble the locknut and two gaskets from the back of the drain assembly. Apply a 1/4" bead of caulking (silicone) to the drain hole and insert the drain assembly. Replace the rubber washer, fiber washer, and lock nut in that order. Hand tighten the locknut. Remove excess sealant from finished side.

Apply a lubricant (common household liquid soap works well) to the inside of the rubber seal of the drain assembly.



DETAILED INSTRUCTIONS FOR INSTALLING YOUR NEW SHOWER BASE

STEP 1

If the subfloor is level, no other preparation is necessary. You can proceed to install the base. If the subfloor is not level, level shower base by spreading floor leveling compound, mortar, plaster or minimal expansion structural foam having a density of a minimum of 5 lbs./cubic ft. **EVENLY** over **ENTIRE** area where base will be installed. (See Figure 1.) The compound used **MUST** make contact with the entire bottom surface of the base feet. The base is **NOT** to be supported by the base flange. Both sides of a joint or splice of sub-floor should be level to each other. Level and support waste pipe cutout area greater than 5" x 5".

STEP 2

With the drain fitting passing over the center of the drainpipe, lower the shower base carefully into place, push down firmly until the base is in place. You **must** check the level of the base in two directions. A 1/4" high shim is necessary at the back of the base for front to back leveling. (See Figure 2A.) Do not lift a corner to level the base. This will cause a loss of contact with the mortar. Attach the shower base flange to the stud wall and blocking with screws provided. Use a minimum of 3 screws per flange section.

NOTE: If there is any gap between base flange and stud or blocking, shims MUST be used to prevent distortion or cracking of the flange. (See Figure 2B.)

With a large screwdriver and the tool included with the drain, tighten the inside compression nut to seal the drain pipe connection (see Figure 2C). After drain is fully installed, test for proper drainage. If the shower base does not drain properly, rectify this condition before proceeding with the installation. **Jacuzzi Whirlpool Bath is not responsible for removal and/ or reinstallation costs.**

NOTE: Watertight installation of the drain is the installer's responsibility. Drain leakage is excluded from the Jacuzzi Whirlpool Bath warranty.

Replace the strainer and tape over the drain hole to prevent finishing material from entering drain.

STEP 3

Place cement board or equivalent on top of shower base flange and secure to studwall (see Figure 3).

STEP 4

Apply tile (or other finishing material) leaving a 1/8" gap between the finishing material and the shower base flange lip. Seal this gap with silicone sealant. Leave a minimum 1/4" weep hole at the back and front corners of the shower base (see Figures 4A and 4B). The weep holes are necessary to allow drainage from leakage through unsealed tiled grout.

Filling the area marked **DO NOT FILL** will prevent moisture from draining back into the base through the weep holes (see Figure 4C). This moisture is due to leakage through the tile grout. Sealing the tile grout will prevent this leakage.

Clean-Up After Installation

To avoid dulling and scratching the acrylic surface of the base, never use abrasive cleaners. A mild liquid detergent and warm water clean soiled surfaces.

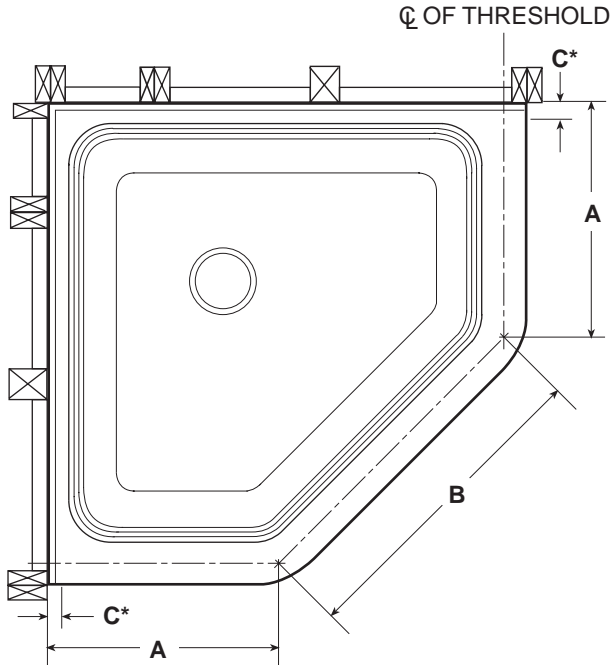
Remove spilled plaster with a wood or plastic edge. Metal tools scratch the surface. Spots left by plaster or grout can be removed if lightly rubbed with detergent on a damp cloth or sponge.

Paint, tar, or other difficult stains can be removed with paint thinner, turpentine, or isopropyl alcohol (rubbing alcohol).

Minor scratches which do not penetrate the color finish can be removed by lightly sanding with 600-grit wet/dry sandpaper. You can restore the glossy finish to the acrylic surface of the base with a special compound, Meguiar's #10 Mirror Glaze. If not available, use automotive rubbing compound followed by an application of automotive paste wax.

Major scratches and gouges which penetrate the acrylic surface require refinishing. Ask your Jacuzzi Whirlpool Bath dealer for special instructions.

Determining Glass Enclosure Dimensions



ROUGH-IN DIMENSION CHART (Neo-Angle Only)

MODEL	A	B	C*
3838N	16 3/4"	28"	1-3/8"
4242N	20-3/4"	27-3/8"	1-3/8"
4848N	26-3/4"	27-1/2"	1-3/8"

*C represents the dimension from the stud wall to the face of the finishing materials used in the shower construction.

If Jacuzzi Whirlpool Bath surround walls are used, subtract 1-3/8" from dimension A to arrive at glass enclosure dimensions. If other materials are used, subtract their thickness from dimension A.

FOR SQUARE AND RECTANGULAR SHOWER BASES: if Jacuzzi Whirlpool Bath surround walls are used, subtract 1-3/8" from stud wall of each end to arrive at glass enclosure dimensions (see front page illustration and chart). If other materials are used, subtract their thickness from stud wall of each end.

Authorized Service

If you need a referral for a service company near you, or need assistance with operation or maintenance related questions, please call our Service Support Department at 1-800-288-4002. For service agent listing, visit our web site at <http://www.jacuzzi.com/>. To find the service agent listings, click on "For The Trade". Then click on Electrical/Mechanical Service Agents. Depending on the problem, click on "Electrical/Mechanical Repairs" or "Finish, Surface or Shell-Related Problems".

PRODUCT SPECIFICATIONS ARE SUBJECT TO CHANGE WITHOUT NOTICE.

USE INSTALLATION INSTRUCTIONS SUPPLIED WITH PRODUCT.

Jacuzzi Whirlpool Bath has obtained applicable code (standards) listings generally available on a national basis for products of this type. It is the responsibility of the installer/owner to determine specific local code compliance prior to installation of the product. Jacuzzi Whirlpool Bath makes no representation or warranty regarding, and will not be responsible for any code compliance.

JACUZZI WHIRLPOOL BATH

Jacuzzi Whirlpool Bath National Headquarters

P.O. Drawer J, Walnut Creek, CA 94596

Service Support: Call 800-288-4002



Printed on Recycled Paper

© 1994 Jacuzzi Whirlpool Bath E124000V 6/04

Jacuzzi Whirlpool Bath Limited Warranty Shower System Product

WARRANTY COVERAGE

Jacuzzi Whirlpool Bath (the "Company") offers the following express limited warranty to the original purchaser of any Jacuzzi Whirlpool Bath Shower System product ("unit") who purchases the product for personal or single family use ("user"). The Company will repair or replace, at its option, the unit or its equipment in accordance with the following terms and conditions. Units in commercial use are excluded from any warranty coverage whatsoever.

ONE YEAR LIMITED WARRANTY ON SHOWER SYSTEM

Our limited warranty on Shower System products is for one (1) year. Our warranty covers the unit and factory-installed components (e.g., pump, motor) against defects in material or workmanship. Warranty coverage begins on the date the unit was originally purchased by the user.

NINETY DAY (PARTS ONLY) LIMITED WARRANTY ON OPTIONS AND ACCESSORIES

Our limited warranty on options and accessories manufactured by the Company is for ninety (90) days for parts only. Our warranty covers options and accessories manufactured by the Company (e.g., fill spout kits, trim kits, skirts) against defects in material or workmanship. Warranty coverage begins on the date the option or accessory was originally purchased by the user.

WARRANTY LIMITATIONS

Our limited warranty does not cover defects, damage, or failure caused by the common carrier, installer, user, or other person, or resulting from, without limitation, any of the following: careless handling (lifting unit by plumbing, abrading finish, etc.); modification of any type for any reason (including modification to meet local codes); improper installation (including installation not in accordance with instructions and specifications provided with the unit); connections supplied by the installer of the equipment; improper voltage supply or unauthorized electrical modification; misuse; incorrect operation, or lack of proper routine maintenance; operation of the unit without specified minimum amount of water or at inappropriate water temperature; use of abrasive or improper cleaners; or acts of God, such as lightning, floods, earthquakes, etc.

In addition, THE COMPANY WILL NOT BE RESPONSIBLE FOR INCIDENTAL OR CONSEQUENTIAL DAMAGES or losses arising from any cause (e.g., water damage to carpet, ceiling, loss of use, etc.) including its own negligence; damages to, respecting, or resulting from: plated parts when chemicals are used in the unit; optional equipment not manufactured by the Company but supplied by Dealer, installer or the Company; the unit's prior usage as an operational display; or defects that should have been discovered before installation. This limited warranty does not include: labor, transportation, or other costs incurred in the removal and/or reinstallation of the original unit and/or installation of a replacement unit; any costs relating to obtaining access for repair; or loss of use damage, including loss of sales, profit or business advantage of any kind under any circumstances. Units in commercial use are excluded from any warranty coverage whatsoever.

Warranty coverage is provided only in the United States of America and Canada.

EXCLUSION OF IMPLIED WARRANTIES

IMPLIED WARRANTIES OF MERCHANTABILITY AND FITNESS FOR A PARTICULAR PURPOSE ARE DISCLAIMED ALTOGETHER OR TO THE FULL EXTENT ALLOWED BY LAW.

NOTICE: This warranty gives you specific legal rights, and you may also have other rights which vary from state to state. There are no warranties applicable to Jacuzzi Whirlpool Bath products except as expressly stated herein or as implied by applicable state and federal laws. The Company will not be responsible for any statements or representations made in any form that go beyond, are broader than or are inconsistent with any authorized literature or specifications furnished by the Company.

Some states do not allow limitations on how long an implied warranty lasts, or the exclusion or limitation of incidental or consequential damages, so the above limitations and exclusions may not apply to you.

RETURN OF WARRANTY CARD

The attached pre-addressed Warranty Registration Card MUST be filled out by the purchaser within thirty (30) days from purchase and mailed to Jacuzzi Whirlpool Bath in order for this warranty to become effective.



Jacuzzi Whirlpool Bath
P.O. Drawer J
Walnut Creek, CA 94596-9885

RESPONSIBILITIES OF OTHERS

Inspecting the unit prior to installation is the responsibility of the installer or building contractor who acts on behalf of the user. They are responsible for ensuring the unit is free of defect or damage. Notices are placed on and in the unit and on the shipping carton advising the installer of this responsibility. In the event of a problem, the unit must not be installed. The Company is not responsible for failures or damage that could have been discovered, repaired, or avoided by proper inspection and testing prior to installation.

Damage occurring in transit is the responsibility of the carrier. The user or installer MUST open the crates and inspect the unit for damage when it is delivered. If damage is discovered, it must be reported immediately to the seller and the carrier in writing, and an inspection requested. Failure of the carrier to respond should be reported to the seller and the carrier. Your freight claims should be filed promptly thereafter.

It is the responsibility of the installer, building contractor, or user to provide access for service. The Company is not responsible for any costs relating to obtaining access for repair. The user shall bear such costs and, if appropriate, must seek recovery from the installer.

Damage occurring to the unit during installation is the responsibility of the installer and/or building contractor and damage occurring thereafter is the responsibility of the user.

Failure of any optional equipment is the sole responsibility of the equipment manufacturer. (Options and accessories manufactured by the Company are warranted for ninety (90) days from the original date of purchase for parts only.)

The Distributor or Dealer is responsible for knowing local code requirements and notifying the installing contractor and/or user of these requirements at the time of purchase. The Company is not responsible for costs to modify any product to obtain any code approval, such as city, county, or state building codes in U.S.A. or municipal or provincial codes in Canada.

WARRANTY SERVICE

For the customer's benefit, the Company maintains a list of independent service personnel to perform required warranty service repairs. Such firms are not agents or representatives of the Company and cannot bind the Company by words or conduct.

The Company will provide the warranty service described above when the following conditions have been met: the failure is of the nature or type covered by the warranty; the user has informed an Authorized Jacuzzi Whirlpool Bath Service Agent or Warranty Service Department Representative of the nature of the problem during the warranty period; conclusive evidence (e.g., proof of purchase or installation) is provided to the foregoing by the user proving that the failure occurred or was discovered within the warranty period; an authorized independent service person or Company representative has been permitted to inspect the unit during regular business hours within a reasonable time after the problem was reported by the user.

In order to obtain warranty service, consult your local telephone book for the location of the nearest Jacuzzi Whirlpool Bath Authorized Service Agent. Describe the problem and the Authorized Service Agent will inspect the unit and provide the required warranty service.

If you are unable to contact a Jacuzzi Whirlpool Bath Authorized Service Agent, call or write:

Jacuzzi Whirlpool Bath
Warranty Service Department
P.O. Drawer J
Walnut Creek, California 94596
Call: 800-288-4002

To obtain warranty replacement for factory-installed components or Company supplied options and accessories manufactured and supplied by the Company, call or write the above. Provide a description of the problem and proof of purchase. You will be instructed how to obtain replacements and where to return, at your expense, the failed component(s), option(s), or accessory(ies).

All replacement parts, equipment, and repairs shall assume the remaining warranty period of the part(s) replaced.

The Company's warranty obligation shall be discharged upon tender of replacement or repair. The customer's refusal to accept the tender terminates the Company's warranty obligation.

Ninety-Day
Parts Only
Limited Warranty
On
Accessory(ies)

©1994 Jacuzzi Whirlpool Bath E124000V 6/04



Warranty Registration Card

This card must be filled out and returned to the address printed on the other side within thirty (30) days from date of purchase in order for this warranty to be come effective.

Purchaser's Name _____

Purchaser's Address _____

City _____ State _____ Zip _____

Date of Purchase _____

Model Name _____

Serial Number _____

Dealer's Name _____

Dealer's Address _____

1. How did you first hear about this Jacuzzi® product?
 - Advertisement Article in Magazine/Newspaper
 - Visited Dealer/Plumbing Supplier Yellow Pages
 - Builder/Plumber/Remodeler Decorator/Architect
 - Visited Retailer/Home Center Store
 - Word of Mouth ... Friend/Relative/Acquaintance
 - Other (Please Describe) _____
2. Who first gave you specific information about this product (specifications, prices, etc.)?
 - Dealer/Plumbing Supplier Builder Remodeler
 - Plumbing Contractor Retailer/Home Center Store
 - Decorator/Architect Already Installed
3. What was the main reason for purchase?
 - Styling Warranty Service Product Features
 - Brand Name Price Hydrotherapy
 - Home Resale _____
 - Other _____
4. Who finally decided which product you would buy?
 - Self Spouse Self and Spouse Together
 - Other Family Member Designer/Architect
 - Builder/Plumber/Remodeler Already Installed
 - Who installed? Already installed/New Home
 - Contractor/Plumber when remodeling
 - Self/Spouse when remodeling
 - Other _____
5. What is the current market value of this property? _____
6. Please estimate \$ _____ of the household? _____ years
7. What is the age of the head of the household? _____ years
8. What other manufacturers did you consider?
 - Eller Lasco Price Pfister Aqua Glass
 - Kohler American Standard Sterling
 - Other (Specify) _____
9. How long did you shop before purchasing unit?
 - 1 day 2 months-6 months
 - 2-7 days 6 months-1 year
 - 1 week-2 weeks 1 year-2 years
 - 2 weeks-4 weeks +2 years
 - 1 month-2 months _____
10. Approximately how long have you lived in this home? _____
11. Please indicate, approximately, the total annual income of your household.

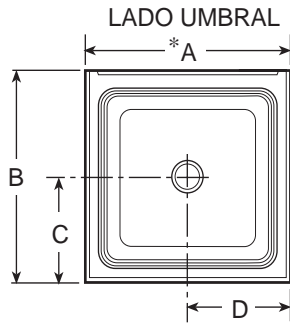
<input type="checkbox"/> Up to \$24,999	<input type="checkbox"/> \$50,000 to \$74,999
<input type="checkbox"/> \$25,000 to \$29,999	<input type="checkbox"/> \$75,000 to \$99,999
<input type="checkbox"/> \$30,000 to \$39,999	<input type="checkbox"/> \$100,000 to \$149,999
<input type="checkbox"/> \$40,000 to \$49,999	<input type="checkbox"/> \$150,000 and Above
12. Was your purchase process?
 - Very easy Easy Difficult Very Difficult

Ninety-Day
Parts Only
Limited Warranty
On
Accessory(ies)

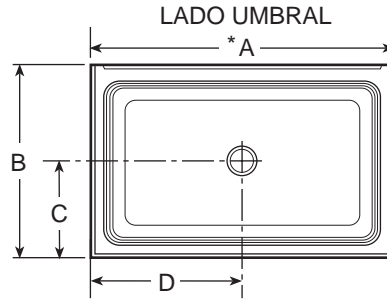


BASE PARA DUCHA

INSTRUCCIONES DE INSTALACIÓN

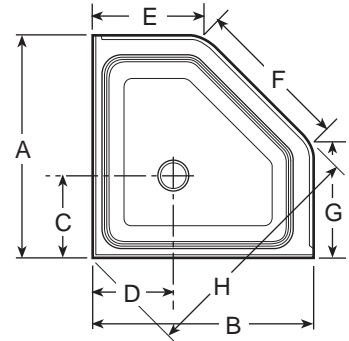


CUADRADA



RECTANGULAR

*Añada 1/8" en las dimensiones del bosquejo para la instalación.



NEO-ANGULAR

CUADRO DE PRODUCTS (TRU-LEVEL™)

	NÚMERO DEL PRODUCTO	MODELO NOMBRE	DIMENSIONES								PESO DEL PRODUCTO
			A	B	C	D	E	F	G	H	
CUADRADA	S344000	3636S	36	36	17.5	18.0					24 lb
	S364000	4848S	48	48	23.25	24.0					43 lb
	S348000	4242S	42	42	20.25	21.0					34 lb
RECTANGULAR	S356000	4834S	48	34	16.5	24.0					30 lb
	S368000	6036S	60	36	17.5	30.0					43 lb
	T366000	4248S	42	48	23.25	21.0					38 lb
	T362000	4236S	42	36	17.5	21.0					28 lb
	T370000	6042S	60	42	20.25	30.0					50 lb
	T354000	3642S	36	42	20.25	18.0					28 lb
	T374000	4832S	48	32	15.0	24.0					29 lb
	T232000	4234S	42	34	16.5	21.0					27 lb
	T228000	6034S	60	34	16.5	30.0					39 lb
NEO-ANGULAR	T358000	3838N	38	38	14.5	14.5	17.38	29.0	17.38	39.0	23 lb
	S352000	4242N	42	42	16.06	16.06	21.50	29.0	21.50	45.0	29 lb
	S360000	4848N	48	48	16.25	16.25	27.50	29.0	27.50	53.0	39 lb

Las especificaciones del producto están sujetas a cambio sin previo aviso. Use las instrucciones de instalación suministradas con el producto.

Note: Este es un producto de calidad profesional. Para una instalación apropiada y la satisfacción del usuario, se requiere de un conocimiento de acuerdo a los códigos en las técnicas de construcción, plomería y electricidad. Recomendamos que un contratista licenciado efectúe la instalación de todos los productos de Jacuzzi Whirlpool Bath. Nuestra garantía no cubre los problemas que resulten de una instalación inadecuada.

INSTRUCCIONES DE INSTALACIÓN 4 PASOS FÁCILES PARA INSTALAR SU NUEVA BASE DE DUCHA

PASO 1. Si el subsuelo está nivelado, no se requiere ninguna preparación. Ud puede continuar con la instalación de la tina. Nivele la base de la ducha esparciendo compuesto para nivelar, cemento, yeso o espuma estructural de mínima expansión con densidad mínimo de 5 libras/pie cúbico **UNIFORMEMENTE** sobre la superficie **ENTERA** dónde se instalará la base. (Vea Figura 1.) **NOTE:** El compuesto que se usa **TIENE** que hacer contacto con la superficie total en la base. La base **NO** debe estar sostenida por la pestaña de base.

PASO 2. Coloque e instale base sobre una superficie nivelada sobre el sumidero.

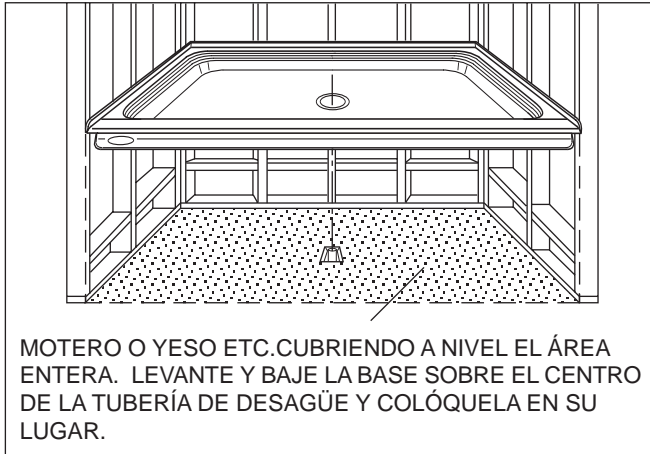


Figura 1

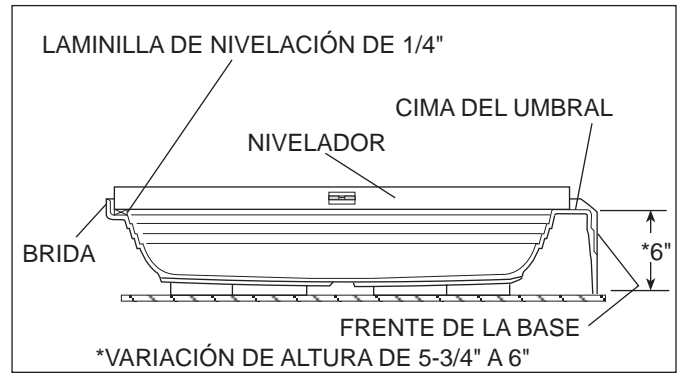


Figura 2A. ANIVELAR DE FRENTE HACIA ATRAS

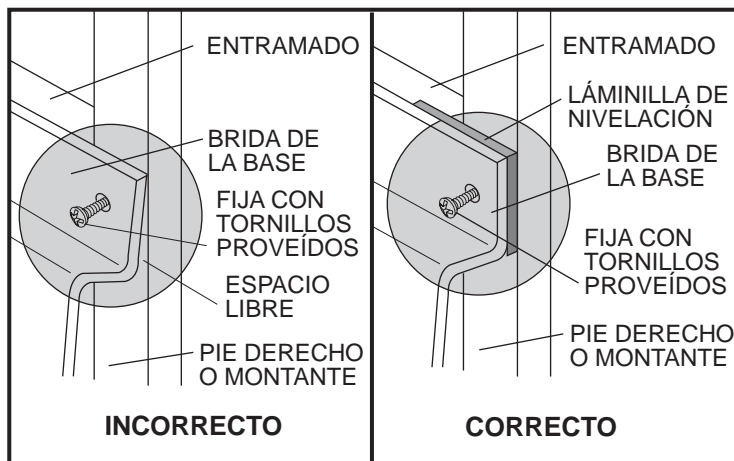


Figura 2B

IMPORTANTE: SI HAY ALGÚN ESPACIO ENTRE LA BRIDA DE LA BASE Y EL PIE MONTANTE O ENTRA MADO, SE DEBEN USAR LAMINILLAS DE NIVELACIÓN.

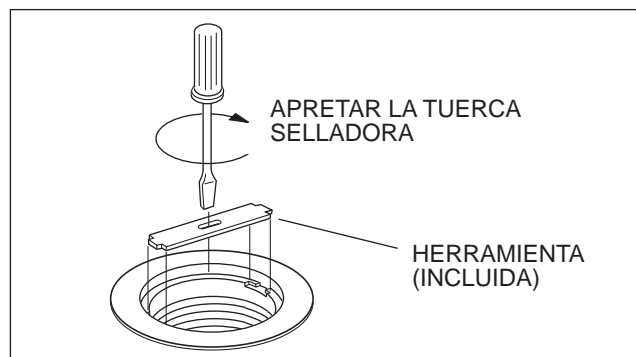


Figura 2C

PASO 3. Instale la pared de cemento.

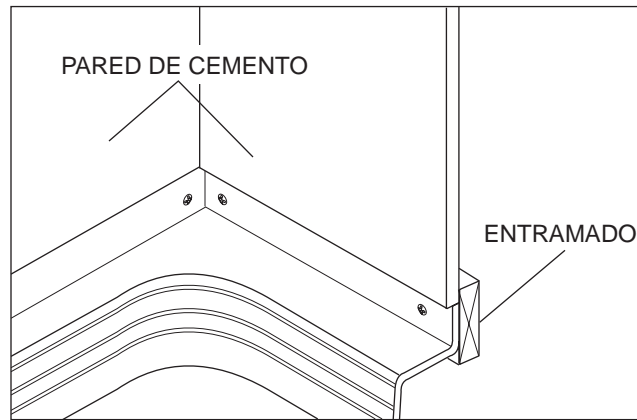


Figura 3

PASO 4. Instale los materiales de acabado y la base de calafateo o recalque, dejando agujeros de desagüe de 1/4".

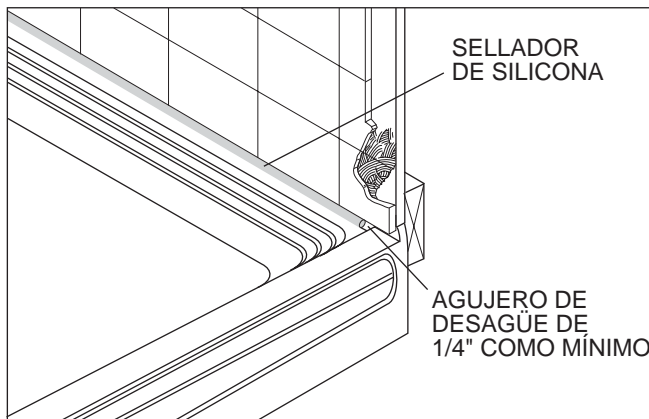


Figura 4A

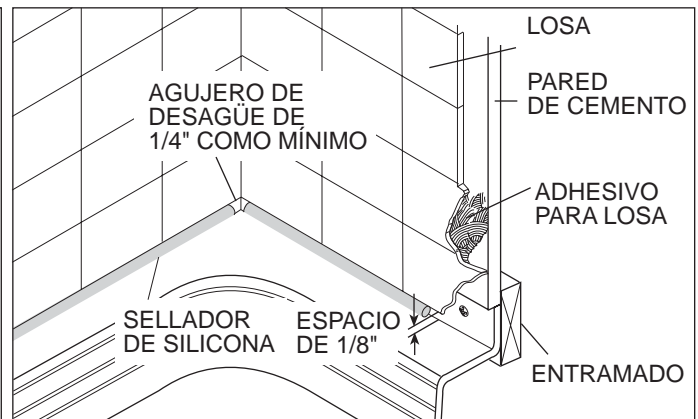


Figura 4B

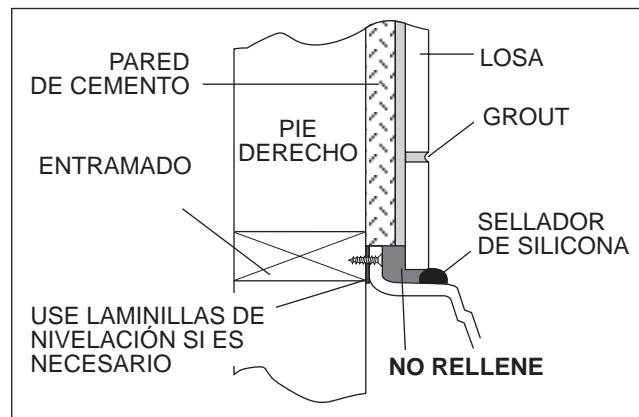


Figura 4C

Si se rellena el área marcada **NO RELLENE** la humedad no podrá drenar de vuelta a la base a través de los agujeros de desagüe.

Instrucciones Detalladas de Instalación

Importante: Lea todas las instrucciones antes de comenzar la instalación.

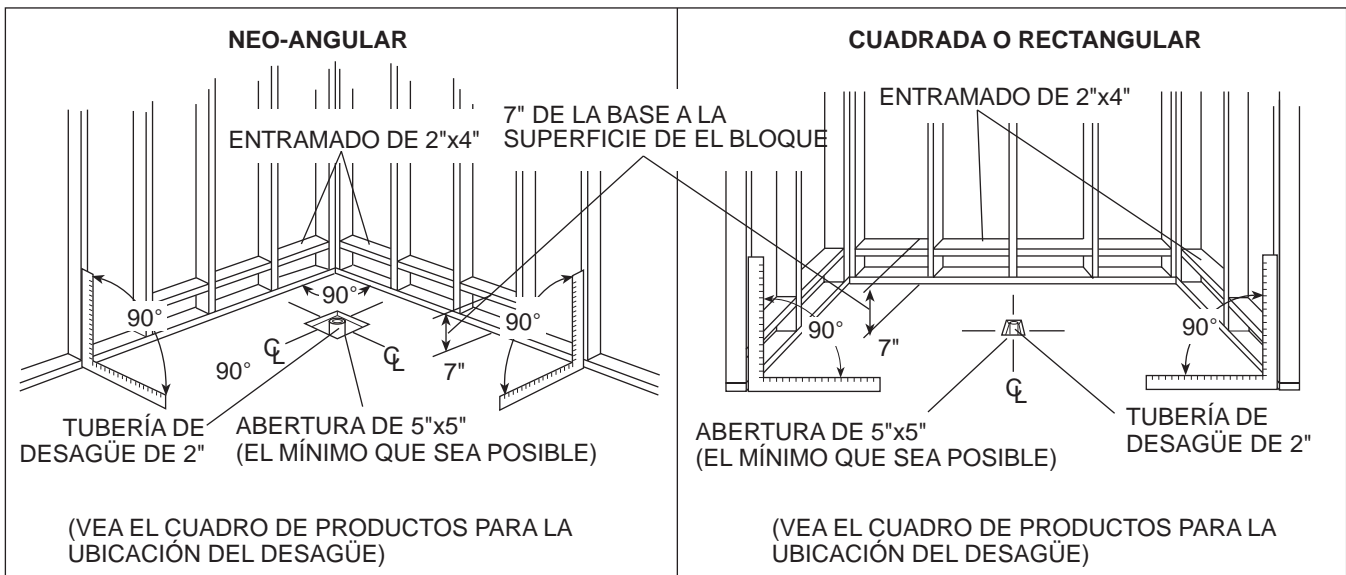
Cada base de ducha se envía con un desagüe para ducha y sumidero de acero inoxidable. Opcionalmente, se puede obtener un sumidero de bronce dorado para instalación en el sistema de desagüe.

Retire la base de ducha de su envase. **No destruya el envase hasta que esté satisfecho con su inspección del producto.**

Inmediatamente después de haberla recibido, inspeccione la base antes de instalarla. Si la inspección revela algún daño o defecto en el acabado, no instale la base. Los daños o defectos en el acabado, reclamados después de que la base ha sido instalada, no están cubiertos por la garantía. La responsabilidad de Jacuzzi Whirlpool Bath por daños ocurridos en el transporte cesa en el momento de la entrega de los productos en buen estado a la compañía de transporte. Presente sus reclamaciones por daños a la compañía de transporte. Para las definiciones de cobertura y limitaciones de la garantía, consulte la información sobre la garantía que se incluye en el envase del producto. Jacuzzi Whirlpool Bath no es responsable de cualquier defecto que pudiera haber sido descubierto, reparado o evitado siguiendo este procedimiento de inspección y pruebas.

Planee la instalación en relación a las superficies de las paredes acabadas. Tenga en cuenta las dimensiones, tanto de la base de la ducha como de la puerta que se vaya a usar con ella. Instale las piezas opcionales decorativas cuando se haya completado todo el resto de la instalación.

PREPARACIÓN PRELIMINAR DEL ÁREA

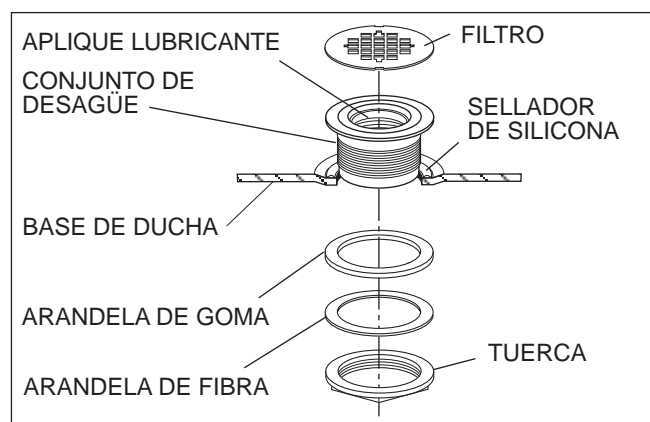


Prepare una abertura en el contrapiso no menor que 5"x5". Esta abertura debe estar ubicada en las líneas centrales del agujero del desagüe de la base de ducha (vea el Cuadro de Producto).

La abertura es necesaria para acomodar una tubería de desagüe de 2" de diámetro. La tubería de desagüe debe estar de 1/4" a 1/2" por encima de la superficie del contrapiso.

Retire el filtro de acero inoxidable del conjunto de desagüe. Saque la tuerca de presión y las juntas de la parte posterior de conjunto de desagüe. Aplique un reborde de calafate o recalque (silicona) de 1/4" al agujero e inserte el conjunto de desagüe. Vuelva a colocar la arandela de goma, la arandela de fibra y la tuerca de presión, en ese orden. Apriete la tuerca con a mano y retire cualquier exceso del sellador de silicona que haya quedado en la lado acabado.

Aplique un lubricante (el jabón líquido usado comúnmente en la casa trabaja bien) a la parte interior del sello de goma del conjunto de desagüe.



INSTRUCCIONES DETALLADAS PARA INSTALAR SU NUEVA BASE DE DUCHA

PASO 1

Si el subsuelo está nivelado, no se requiere ninguna preparación. Ud puede continuar con la instalación de la tina. Nivele la base de la ducha esparciendo compuesto para nivelar, cemento, yeso o espuma estructural de mínima expansión con densidad mínimo de 5 libras/pie cúbico **UNIFORMEMENTE** sobre la superficie **ENTERA** dónde se instalará la base. (Vea Figura 1.) **NOTA:** El compuesto que se usa **TIENE** que hacer contacto con la superficie total en la base de las patas. La base **NO** debe estar sostenida por la pestaña de base. Los dos lados de una unión o empalme del contrapiso deben estar nivelados entre sí. Nivele y soporte el área cortada por la tubería de desagüe si excede las dimensiones de 5"x5".

PASO 2

Con el sumidero colocado sobre el centro de la tubería de desagüe, baje la base de ducha cuidadosamente en su lugar y empújela hacia abajo firmemente hasta que esté asentada. Usted debe examinar el nivel de la base en dos direcciones. Una plancha de relleno de un 1/4" de alta es necesaria atrás de la base para anivelar de frente hacia atrás. (Vea la Figura 2A.) Instale la brida de la base de ducha en la pared de montantes y entramado, usando tornillos incluidos. Use un mínimo de 3 tornillos para cada sección de la brida.

NOTE: Si hay algún espacio entre la brida de la base y el pie derecho (montante) o entramado, se DEBERÁN usar laminillas de nivelación para evitar la distorsión o rajadura de la brida. (Vea la Figura 2B.)

Use un destornillador grande y la herramienta incluida con el sistema de desagüe para apretar bien la tuerca de compresión interna y sellar la conexión de la tubería de desagüe (vea la Figura 2C). Después de que el desagüe esté

instalado complementamente, pruébelo para ver si drena correctamente. Si la base de ducha no drena correctamente, rectifique este problema antes de proceder con la instalación. **Jacuzzi Whirlpool Bath no es responsable de los costos de retirar y/o reinstalar la base.**

NOTE: La instalación a prueba de agua del sistema se desagüe es la reponsabilidad del instalador. Los escapes de agua del sistema de desagüe están excluidos de la garantía de Jacuzzi Whirlpool Bath.

Vuelva a instalar el filtro y coloque cinta adhesiva sobre el agujero de desagüe para evitar que el material del acabado penetre en el sistema de desagüe.

PASO 3

Coloque pared de cemento u otro material equivalente sobre la brida de la base de ducha y asegúrela a la pared de montantes (vea la Figura 3).

PASO 4

Aplique la losas (u otro material de acabado), dejando un espacio libre de 1/8" entre el material de acabado y el reborde de la brida de la base de ducha. Cubra este espacio con sellador de silicona. Deje un agujero de desagüe con un diámetro mínimo 1/4" en las esquinas posteriores y delanteras de la base de ducha (vea las Figura 4A y 4B). Los agujeros de desagüe son necesarios para permitir el drenaje de cualquier escape que pueda ocurrir a través de una lechada de cemento, usada para fijar las losas o azulejos, que no haya sido sellada correctamente.

Si se rellena el área **NO RELLENE**, la humedad no podrá drenar de vuelta a la base a través de los agujeros de desagüe (vea la Figura 4C). Esta humedad proviene de escapes a través de la lechada de cemento usada para fijar las losas. Si la lechada de cemento se cubre con un material sellador se evitará este escape.

Limpieza después de la instalación

Para evitar opacar y arañar la superficie acrílica de la base, nunca use un limpiador abrasivo. Un detergente líquido suave y agua tibia es suficiente para limpiar las superficies sucias.

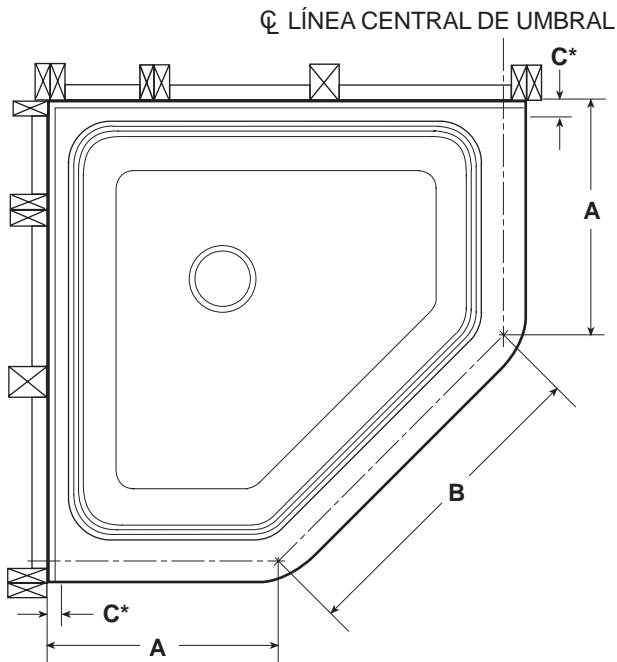
Retire el yeso o argamasa que se haya derramado, usando un borde de madera o plástico. Las herramientas metálicas arañan la superficie. Las manchas dejadas por el yeso o la lechada de cemento se pueden quitar si se frotan ligeramente con detergente en un paño o esponja húmeda.

La pintura, alquitrán y otras manchas difíciles se pueden quitar un diluyente de pinturas, trementina (aguarrás) o alcohol isopropílico (alcohol para frotaciones).

Los arañazos pequeños que no hayan penetrado el acabado de color se pueden quitar lijando la superficie muy ligeramente con un papel de lija número 600, del tipo para uso seco o húmedo. El acabado brillante de la superficie acrílica de la base se puede obtener nuevamente usando un compuesto especial llamado Mirror Glaze #10 de Meguir. Si no lo puede obtener, use un compuesto de frotación para superficies de automóviles seguido por una aplicación de pasta de cera para automóviles.

Los arañazos más profundos y área melladas que penetren en la superficie acrílica requieren un nuevo acabado. Pida instrucciones especiales a su concesionario de Jacuzzi Whirlpool Bath.

Forma de Determinar las Dimensiones de la Puerta de Vidro Envoltente



CUADRO DE DIMENSIONES PARA LA INSTALACIÓN (MODELO NEO-ANGULAR SOLAMENTE)

MODELO	A	B	C*
3838N	16 3/4"	28"	1-3/8"
4242N	20-3/4"	27-3/8"	1-3/8"
4848N	26-3/4"	27-1/2"	1-3/8"

*C representa la dimensión desde la pared de montantes hasta la cara de los materiales de acabado usados en la construcción de la ducha.

Si se usan las paredes envolventes de Jacuzzi Whirlpool Bath, se debe sustraer 1-3/8" de la dimensión A para obtener las dimensiones de la envolvente de vidrio. Si se usan otros materiales, se debe sustraer el espesor de esos materiales de la dimensión A.

PARA BASES DE DUCHA CUADRADAS Y

RECTANGULARES: Si se usan paredes envolventes de Jacuzzi Whirlpool Bath, se debe sustraer 1-3/8" de la distancia desde la pared de montantes hasta cada extremo para obtener las dimensiones de la puerta envolvente de vidrio (vea la ilustración en la página del frente y el cuadro). Si se usan otros materiales, reste sus espesores de la distancia entre la pared de montantes y cada extremo.

Servicios Autorizados

Si usted necesita obtener referencias sobre una compañía de servicios en su cercanía, o necesita asistencia para preguntas sobre la operación o mantenimiento del producto, por favor llame a nuestro Departamento de Servicios de Apoyo, teléfono 1-800-288-4002. Para obtener una lista de agentes de servicios, visite nuestro sitio en el web, <http://www.jacuzzi.com/>. Para encontrar listas de agentes de servicios, de un clic en "For The Trade". Luego entre a Agentes de Servicios Eléctricos/Mecánicos (Electrical/Mechanical Service Agents). Dependiendo del problema, entre a "Reparación Eléctrica/Mecánica" (Electrical/Mechanical Repairs) o Problemas Relacionados al Terminado, Superficie o Armazón "(Finish, Surface or Shell-Related Problems).

LAS ESPECIFICACIONES DEL PRODUCTO ESTÁN SUJETAS A CAMBIOS SIN PREVIA NOTIFICACIÓN USE LAS INSTRUCCIONES DE INSTALACIÓN PORPORCIONADAS CON EL PRODUCTO.

Jacuzzi Whirlpool Bath ha obtenido las listas de códigos correspondientes (standards), para productos de este tipo, que generalmente están a disposición por todo el país. Antes de instalar el producto, el instalador o dueño de éste tiene la obligación de cumplir con el código específico local. Jacuzzi Whirlpool Bath no representa, ni garantiza, ni es responsable de hacer cumplir cualquiera de estos códigos de instalación.

JACUZZI WHIRLPOOL BATH

Jacuzzi Whirlpool Bath National Headquarters

P.O. Drawer J, Walnut Creek, CA 94596

Service Support: Call 800-288-4002



Garantía Limitada de Tinas de "Jacuzzi Whirlpool Bath" Producto de Los Sistemas de Baños de Ducha

COBERTURA DE LA GARANTÍA

Jacuzzi Whirlpool Bath (la "Compañía") ofrece la siguiente garantía limitada expresa a los compradores originales de cualquier producto de los sistemas de baños de ducha de Jacuzzi Whirlpool Bath Builder Group Bath Product ("unidad") que compren el producto para uso personal o de una sola familia ("usuario"). La Compañía se compromete a la reparación o sustitución, según sea su decisión, de la unidad o sus equipos, de conformidad con los siguientes términos y condiciones. Las unidades en uso comercial quedan excluidas de cualquier cobertura de garantía.

GARANTÍA LIMITADA DE UN AÑO EN LOS SISTEMAS DE BAÑOS DE DUCHA

Nuestra garantía limitada en los productos de los sistemas de baños de ducha es de un (1) año. La garantía cubre a la unidad y a los componentes instalados de fábrica (v.g. la bomba, el motor) en contra de cualquier defecto de material o de construcción. La cobertura de la garantía empieza el día que el usuario compró la unidad.

GARANTÍA LIMITADA DE NOVENTA DÍAS (REPUESTOS ÚNICAMENTE) EN OPCIONES Y ACCESORIOS

Nuestra garantía limitada en las opciones y accesorios de los repuestos únicamente fabricados por la Compañía es de noventa (90) días. Nuestra garantía cubre las opciones y accesorios fabricadas por la Compañía (v.g. juego de cascadas, vestiduras, faldas) en contra de cualquier defecto de material o de construcción. La cobertura de la garantía empieza el día que el usuario compró la opción o accesorio.

LIMITACIONES DE LA GARANTÍA

Nuestra garantía limitada no cubre los defectos, daños o fallas ocasionados por el distribuidor, instalador, o cualquier otra persona, ni los que resulten, sin limitaciones, de cualquiera de los casos siguientes: descuido en el manejo (levantamiento de la unidad al usando la plomería como mango, abresión de los terminados, etc.), modificación de cualquier tipo por cualquier razón (incluso modificaciones para cumplir con las normas de los códigos locales), instalación inadecuada (incluso instalación no conforme a las instrucciones y especificaciones que acompañan a la unidad); conexiones proporcionadas por el instalador del equipo; impropio abasto de voltaje o alguna modificación eléctrica no autorizada; mal uso; operación incorrecta; o falta de mantenimiento adecuado de rutina, operación de la unidad sin la cantidad mínima de agua que se especifica o a una temperatura del agua inadecuada; uso de limpiadores abrasivos o impropios; o desastres naturales como relámpagos, inundaciones, terremotos, etc.

Además, la COMPAÑÍA NO SERÁ RESPONSABLE POR DAÑOS INCIDENTALES O CONSECUENCIALES o pérdidas que se deriven de cualquier causa (v.g., daño del agua a las alfombras, techos, pérdida de uso, etc.) incluso su propia negligencia, daños a, relativos a, o que resulten de las partes cromadas cuando se usen en la unidad sustancias químicas para piscina o "spa"; equipo opcional de tina no fabricado por la Compañía pero provisto por el Distribuidor, instalador o por la Compañía; el uso anterior de la unidad para hacer demostraciones, o defectos que debieran haberse descubierto antes de la instalación. Esta garantía limitada no incluye: mano de obra, transporte, u otros costos en los que se incurra en la remoción y/o reinstalación de la unidad original y/o instalación de una unidad de reemplazo; cualquier costo relativo a lograr el acceso para la reparación, o daño por pérdida de uso, incluso pérdida de ventas, utilidades o ventajas comerciales de cualquier tipo en cualquier circunstancia. Las unidades en uso comercial quedan excluidas de cualquier cobertura de garantía.

La cobertura de la garantía se proporciona únicamente en los Estados Unidos de América y Canadá.

EXCLUSIÓN DE GARANTÍAS IMPLÍCITAS

GARANTÍAS APLICABLES DE MERCANTIBILIDAD Y ADECUACIÓN PARA UN PROPÓSITO DETERMINADO SON NEGADAS TOTALMENTE O HASTA EL LIMITE COMPLETO PERMITIDO CONFORME A LA LEY.

AVISO: Esta garantía le ofrece derechos legales concretos y es posible que además tenga otros derechos que varían de un estado a otro. No existen garantías aplicables a los productos Jacuzzi Whirlpool Bath, excepto los que aquí se expresan o los implícitos en leyes estatales y federales aplicables. La compañía no se hace responsable por declaraciones o interpretaciones que se hagan de cualquier forma y que resulten más amplias o que no correspondan con la literatura autorizada que proporciona la Compañía.

Algunos estados no permiten limitaciones a la duración de una garantía implícita, o la exclusión o limitación de daños incidentales o consecuenciales, de tal forma que las limitaciones o exclusiones antes descritas quizá no sean aplicables a usted.

RESPONSABILIDAD DE LA TARJETA DE GARANTÍA

La tarjeta anexa, que ya incluye la dirección de la Compañía, y que tiene por objeto el registro de la unidad para fines de garantía debe llenarse antes de que hayan pasado (30) treinta días de la compra y enviarse a Jacuzzi Whirlpool Bath para que esta garantía entre en vigor.



Jacuzzi Whirlpool Bath
P.O. Drawer J
Walnut Creek, CA 94596-9885

RESPONSABILIDAD DE TERCEROS

Es responsabilidad del instalador o del contratista constructor que actúen en nombre del usuario realizar una inspección de la unidad antes de instalarla. Ellos son responsables de asegurarse de que la unidad no tiene defectos ni daños. Se ponen avisos en la unidad y en la caja que la contiene para advertir al instalador sobre esta responsabilidad. En caso de que haya algún problema, no debe instalarse la unidad. La Compañía no se hace responsable de fallas o daños que podrían haberse detectado, reparado o evitado mediante una inspección apropiada y pruebas antes de la instalación.

Cualquier daño que ocurra durante el trayecto es responsabilidad del transportista. El usuario o instalador DEBE abrir la caja y revisar que la unidad no tenga ningún daño, al momento de la entrega. Si se encuentra algún daño, debe informarles de inmediato al vendedor y al transportista por escrito y debe solicitarse una inspección. En caso de que el transportista no responda, debe avisarles al vendedor y al transportista. Los reclamos de flete deben presentarse inmediatamente después.

Es responsabilidad del instalador, contratista constructor o usuario proporcionar acceso para servicio. La Compañía no es responsable por ningún costo incurrido para obtener acceso para reparación. El usuario deberá afrontar con estos gastos y, si es apropiado, deberá recobrar este costo del instalador.

Los daños que ocurran a la unidad durante su instalación son responsabilidad del instalador y/o del contratista constructor y daños que ocurran después de la instalación de la unidad son responsabilidad del usuario.

Fallas en cualquier equipo opcional son responsabilidad única del fabricante del equipo. (Opciones y accesorios fabricadas por la Compañía tienen garantía de noventa (90) días desde la fecha original de su compra para los repuestos únicamente).

El Distribuidor o Vendedor es responsable de conocer los requisitos de los códigos locales y de notificar al contratista instalador y o al usuario de estos requisitos al momento de su compra. La Compañía no es responsable por ningún costo incurrido en la modificación del producto para conseguir la aprobación del código, a fin de obtener la aprobación municipal, estatal o del condado para el código en los E.E.U.U., o códigos municipales o provinciales un Canadá.

SERVICIO DE GARANTÍA

Para beneficio del cliente, la Compañía tiene una lista de proveedores de servicio independientes que pueden realizar las reparaciones requeridas para el servicio de garantía. Dichas empresas no son ni agentes ni representantes de la Compañía y no pueden obligar a la Compañía por palabra o conducta.

La Compañía debe proporcionar el servicio de garantía que se describe arriba, cuando se hayan cumplido las siguientes condiciones: la falla es de una naturaleza o de un tipo que queda cubierto por la garantía; el usuario le ha informado a un Agente autorizado o Representante del Departamento de Garantías cuál es la naturaleza del problema durante el período cubierto por la garantía; el usuario le ha entregado a dicho agente o representante pruebas irrefutables (v.g. pruebas de compra o instalación) de que la falla ocurrió o se descubrió dentro del período de garantía; una persona autorizada de servicio independiente o representante de la Compañía ha tenido la oportunidad de inspeccionar la unidad durante horas hábiles regulares dentro de un lapso razonable después de que el usuario reportó la falla.

A fin de obtener un servicio de garantía, consulte su directorio telefónico para encontrar al Agente de Servicio Autorizado de Jacuzzi Whirlpool Bath que más cerca le quede. Describa su problema y el Agente de Servicio Autorizado inspeccionará la unidad y le ofrecerá el servicio que requiere la garantía.

En caso de que no pueda conseguir a un Agente de Servicio Autorizado de Jacuzzi Whirlpool Bath, escriba o llame a:

Jacuzzi Whirlpool Bath
Warranty Service Department
P.O. Drawer J
Walnut Creek, California 94596
Llame a : 800-288-4002

Para obtener un reemplazo según la garantía para componentes instalados de fábrica para opciones abastecidos por la Compañía y accesorios fabricados y abastecidos por la Compañía, llame o escriba al domicilio que abajo se señala. Proporcione una descripción del problema y una prueba de compra. Recibirá instrucciones de cómo obtener su reemplazo y de cómo devolver, a sus expensas, el o los componentes, opciones o accesorios defectuosos.

Todas las partes, equipos y reparaciones asumirán el resto del lapso de garantía de la parte o partes reemplazados.

La obligación de garantía de la Compañía quedarán descargadas con la oferta de reemplazo o reparación. En caso de que el cliente se niegue a aceptar la solución, se da por terminada la obligación de cumplimiento de garantía de la Compañía.

©1994 Jacuzzi Whirlpool Bath E124000V 6/04

Garantía Limitada de
Noventa Días
Repuestos Únicamente
de Accesorio(s)

Garantía Limitada de
Noventa Días
Repuestos Únicamente
de Accesorio(s)



**TARJETA DE REGISTRO
PARA LA GARANTÍA**

Para que esta garantía entre en vigor, esta tarjeta debe llenarse y enviarse al domicilio que está impreso al reverso, antes de que hayan pasado (30) treinta días después de la fecha de compra.

Nombre del Jefe de Familia _____ Estado _____ Código Postal _____

Domicilio _____

Ciudad _____

Fecha de compra/ocupación _____

Nombre del modelo _____

Numero de serie _____

Nombre del distribuidor/constructor _____

Dirección del distribuidor/constructor _____

1. ¿Cómo se enteró de la existencia de este producto de Jacuzzi®; protégi?
 - Anuncio Publicitario. Artículo en revista, periódico
 - Visita a Proveedor/distribuidor
 - Sección paginas amarillas
 - Constructor/Promotor/Remodelador Decorador/Arquitecto
 - Constructor/Promotor/Remodelador Decorador/Arquitecto
 - Visite Revendedor/Ferretería
 - Publicidad de boca...: amigo/pariente/conocido
 - Otro (por favor describa) _____
2. ¿Quien fue la primera persona que le dio información sobre este producto (especificaciones, precios, etc)?
 - Proveedor de productos de baño Constructor
 - Remodelador Contratista de productos de plomería
 - Decorador/Arquitecto Ya estaba instalado
3. ¿Cual fue la principal razón para la compra?
 - El estilo Servicio de garantía Accesorios del producto
 - Marca de Fábrica Precio Hidrotarapia
 - Reventa de Casa
 - Otro _____
4. ¿Quien tomó la decisión final sobre qué producto comprar?
 - Yo mismo Conyuge Conyuge y yo juntos
 - Otro miembro de la familia Diseñador/Arquitecto
 - Constructor/Promotor/Remodelador Ya estaba instalado
5. ¿Quien instaló?
 - Ya instalada/Casa Nueva
 - Contratista/Promotor Durante Renovación
 - Usted/Conyuge Durante Renovación
 - Otro (Especifique) _____
6. ¿Cuales actualmente el valor en el mercado de esta propiedad?

Aproximadamente \$ _____ años
7. ¿Que edad tiene el jefe de familia? _____ años
8. ¿Cuales otros fabricantes consideró usted?
 - Eljer Lasco Price Pister Agua Glasa
 - Kohler American Standard Steirling
 - Otro (Especifique) _____
9. ¿Cuanto tiempo pasó usted buscando antes de comprar su unidad?
 - 1 día 2 meses-6 meses
 - 2-7 días 6 meses-1 año
 - 1 semana-2 semanas 1 años-2 años
 - 2 semanas-4 semanas mas de 2 años
 - 1 mes-2 meses
10. Aproximadamente, ¿cuánto tiempo han vivido en esa casa?

hogar? _____

 - De \$24,999 De \$50,000 a \$74,999
 - De \$25,000 a \$29,999 De \$75,000 a \$99,999
 - De \$30,000 a \$39,999 De \$100,000 a \$149,999
 - De \$40,000 a \$49,999 \$150,000 y mas
11. Por favor indique, aproximadamente, ¿cual es el ingreso total al año de su hogar? _____
12. ¿Fue su proceso de compras?
 - Muy fácil Fácil Difícil Muy Difícil

E124000V

JACUZZI WHIRLPOOL BATH