

TECHNICAL SPECIFICATIONS



Riva® 5 Whirlpool Bath

RIV6243 WLR 2XX Riva 5 Whirlpool Bath, Left Drain (9330)
 RIV6243 WRL 2XX Riva 5 Whirlpool Bath, Right Drain, Left Pump (N210)
 RIV6243 WLF 2XX Riva 5 Whirlpool Bath, Left Drain, Right Front Pump (ET50)

Riva® 5 Soaker Bath

RIV6243 BUX 3XX Riva 5 Bath (9360)

INSTALLATION NOTES

Refer to installation instructions included with fixture before beginning installation. Please confirm product availability and specifications before commencing with any installation work.

PRODUCT SPECIFICATIONS AND AVAILABILITY ARE SUBJECT TO CHANGE WITHOUT NOTICE.

KEY DIMENSIONS

DIMENSIONS

62" L x 43" W x 19" H
 (1575 mm) L x (1092 mm) W x (483 mm) H

DRAIN/OVERFLOW

A: 14-3/4" (375 mm) B: 9-1/2" (241 mm)

CUTOUT

Template Provided Part Number: P186000

TOTAL WEIGHT

9330: 746 lb (338 kg) / 40 lb/sq. ft. (197 kg/m²)

9360: 701 lb (318 kg) / 38 lb/sq. ft. (185 kg/m²)

OPERATING GALLONAGE

Min. 42 U.S. Gal. (159 Liters)

Max. 54 U.S. Gal. (204 Liters)

PRODUCT WEIGHT

9330: 96 lb (44 kg)

9360: 51 lb (23 kg)

SKIRT MOUNTING

Not Available

ELECTRICAL SPECIFICATIONS — MODEL 9330 ONLY

Requires a dedicated GFCI protected separate circuit.

Motor/Pump: 120 VAC, 15 AMP, 60 Hz.

RapidHeat™: 120 VAC, 15 AMP, 60 Hz.

HEATER (OPTIONAL) — MODEL 9330 ONLY

Requires a dedicated GFCI protected separate circuit.

RapidHeat™: P/N S750000

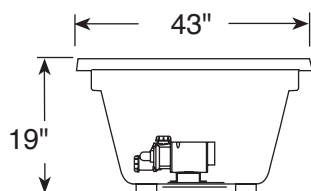
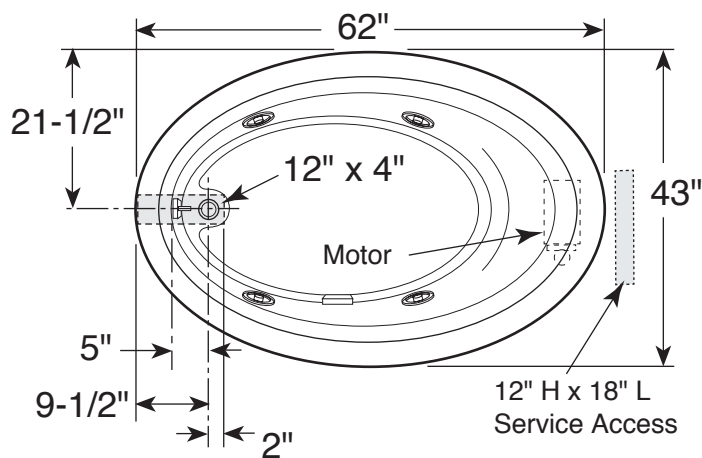
Product Shown: Riva 5 Whirlpool Bath Left Hand Shown

Model: 9330

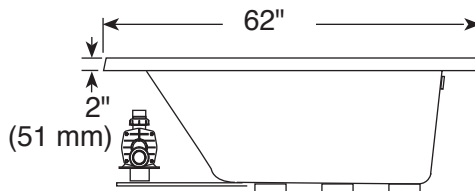
* Measurements inside unit represent cutout in floor to allow for drain/overflow. Minimum Service Access dimensions given.

FEATURES, UPGRADES & ACCESSORIES

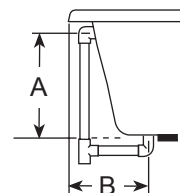
- Left Hand Drain Location
- Accessories / Hardware:
 - Trim Kit: TheraPro Jet Rings #GU44
 - Rotary Drain Kit, 26" Cable #8730
 - Trim Kit: AccuPro Jet Rings #GU45
 - Trip-Lever Drain Kit: #X559
- Trim Kit Finishes Available:
 - (827) – Chrome
 - (826) – Brushed Nickel
 - (849) – Oil Rubbed Bronze.



END VIEW



SIDE VIEW



DRAIN/OVERFLOW