

# Finestra 6036 LH Pure Air Bath



Product Codes beginning with: F4N6036ALR, F7N6036ALR

Also applies to products sold under part numbers: LX10, LX30, LZ10, LZ30

## TECHNICAL SPECIFICATIONS

	English	Metric
Outer Dimensions	60" L x 36" W x 38 1/2" H	1524 mm L x 914 mm W x 978 mm H
Interior Dimensions (bottom of bath) L x W (Mid) x W (End)	26 1/2" L x 23" W x 23" W	673 mm L x 584 mm W x 584 mm W
Drain/Blower Configuration	Left hand drain/Right end blower	Left hand drain/Right end blower
Bath Weight (empty)	260 lbs	118 kg
Total Weight/Floor Loading	1,568 lbs 104.5 lbs/ft <sup>2</sup>	713 kg 510 kg/m <sup>2</sup>
Operating Gallonage (min-max)	108 (min) 127 (max) U.S. Gals	408 (min) 480 (max) L
Electrical Specifications	<b>Each component requires a separate, dedicated GCFI protected circuit(s)</b>	
Blower		120V 15A 60HZ
Chromatherapy (if selected)		120V 15A 60HZ

## FEATURES, UPGRADES & ACCESSORIES

**Material Type:** High-Gloss Acrylic

**Install Type:** Walk-in, Skirted

**Available Colors:** White (W), Almond (A), Oyster (Y)

**Standard (Included) Features:**

Chromatherapy lighting, 800w blower, grab bar, chrome rotary drain, bottom and seat air channels

**Available Control Systems:**

J4 Luxury Control Panel (standard)

J5 Luxury LCD Control Panel

**Available Upgrades:**

900w blower (with J5 LCD Control Panel)

**Available Accessories:**

BN21 Finestra Drain Trim Kit (specify metal finish)

826: Brushed Nickel, 845: Oil Rubbed Bronze

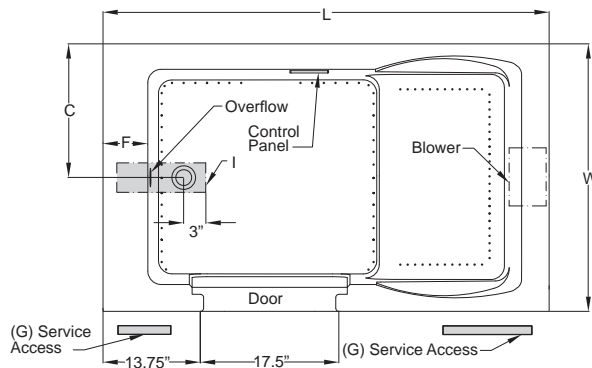
5817000 Tile Flange Kit

EK91 21" Straight Pillow (specify color) 959: White, 958: Almond,

969: Oyster

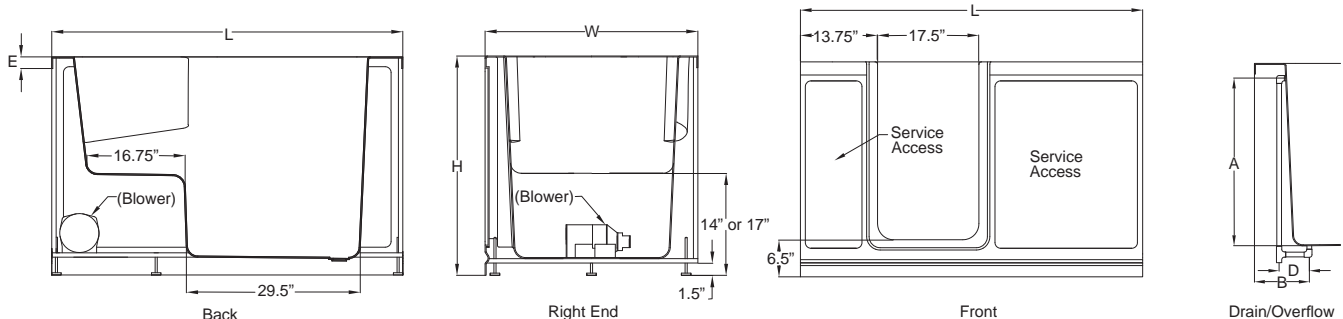
GQ88 Light Chromatherapy Add-on Kit

## KEY DIMENSIONS



\*Deck width reflects only area indicated on detail.

Letter	Description	English	Metric
L	Outer Length	60"	1524 mm
W	Outer Width	36"	914 mm
H	Overall Height	38 1/2"	978 mm
A	Overflow Height	31 1/2"	800 mm
B	Long Edge to Drain Center	11 11/16"	297 mm
C	Short Edge to Drain Center	18"	457 mm
D	Drain Shoe Length	8 7/8"	224 mm
E	Deck Height	2"	51 mm
F	Deck Width*	5"	127 mm
G	Service Access Dimensions	12" H x 18" L	305 mm x 457 mm
I	Floor Cut-out for Drain	16" x 4"	406 mm x 102 mm



NOTE: Graphics May Not be to Scale

© 2010 Jacuzzi Luxury Bath • For additional information call Customer Service 800-288-4002 • [www.jacuzzi.com/technicalspecs](http://www.jacuzzi.com/technicalspecs)

Refer to installation instructions included with fixture before beginning installation. Please confirm product availability and specifications before commencing with any installation work.

PRODUCT SPECIFICATIONS AND AVAILABILITY ARE SUBJECT TO CHANGE WITHOUT NOTICE.

HD22000/HD26000 REL 03/10