

TECHNICAL SPECIFICATIONS

Capella® 55 Whirlpool Bath

CAP5555 WCR 2XX

Capella 55 Whirlpool Bath, Right Hand
(9590)

Capella® 55 Bath

CAP5555 BCX XXX

Capella 55 Bath (C800)



INSTALLATION NOTES

Refer to installation instructions included with fixture before beginning installation. Please confirm product availability and specifications before commencing with any installation work.

PRODUCT SPECIFICATIONS AND AVAILABILITY ARE SUBJECT TO CHANGE WITHOUT NOTICE.

KEY DIMENSIONS

DIMENSIONS

55" L x 55" L x 20-1/4" H

(1397 mm) L x (1397 mm) L x (514 mm) H

DRAIN/OVERFLOW

A: 17-1/2" (445 mm) B: 9-5/8" (245 mm)

CUTOUT

Template Provided: P/N EX79000

TOTAL WEIGHT

9590: 791 lb (359 kg) / 38 lb/sq. ft. (184 kg/m²)

C800: 760 lb (345 kg) / 36 lb/sq. ft. (177 kg/m²)

OPERATING GALLONAGE

51 U.S. Gal. (204 Liters)

Max. 72 U.S. Gal. (273 Liters)

PRODUCT WEIGHT

9590: 116 lb (53 kg)

C800: 85 lb (39 kg)

SKIRT MOUNTING

Optional

ELECTRICAL SPECIFICATIONS MODEL 9590 ONLY

Requires a dedicated GFCI protected separate circuit.

Motor/Pump: 120 VAC, 15 AMP, 60 Hz.

RapidHeat™: 120 VAC, 15 AMP, 60 Hz

HEATER (OPTIONAL) MODEL 9590 ONLY

Requires a dedicated GFCI protected separate circuit.

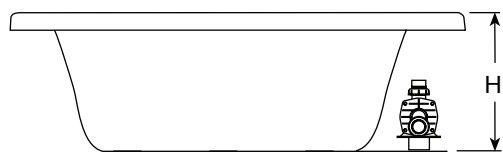
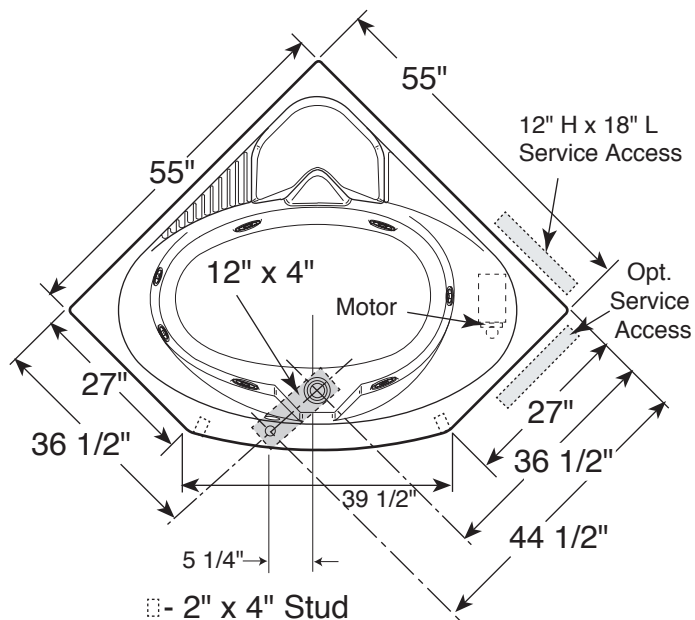
RapidHeat™: P/N S750000

Product Shown: Capella 55 Corner Whirlpool Bath Model: 9590

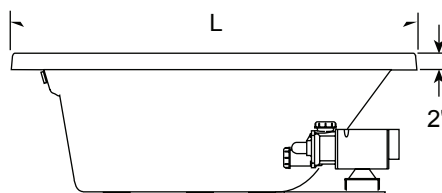
* Measurements inside unit represent cutout in floor to allow for drain/overflow. Minimum Service Access dimensions given.

FEATURES, UPGRADES & ACCESSORIES

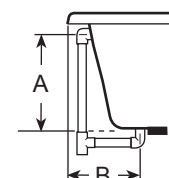
- Center Drain Location
- Accessories / Hardware:
 - Trip-Lever Drain Kit: #X559
 - Rotary Drain Kit, 26" Cable: #8730
 - Trim Kit: TheraPro Jet Rings #GU44
 - Trim Kit: AccuPro Jet Rings #GU45 (2 kits required)
- Trim Kit Finishes Available:
 - (827) – Chrome
 - (826) – Brushed Nickel
 - (845) – Oil Rubbed Bronze



SIDE VIEW



END VIEW



DRAIN/OVERFLOW