



**LUXURY WHIRLPOOL  
BATH SERIES**

**INSTALLATION AND OPERATION INSTRUCTIONS**

**Jacuzzi® Luxury Bath**

14525 Monte Vista Avenue  
Chino, CA 91710  
1-800-288-4002  
[www.jacuzzi.com](http://www.jacuzzi.com)



### Contents

Contents ..... 3

Product Information ..... 3

Safety instructions ..... 4

Operational Safety instructions ..... 5

Inspection and Testing ..... 6

Framing ..... 7

Fuzion™ Specific Material ..... 9

Electrical Connections ..... 11

Drop-in Installation ..... 13

Undermount Installation ..... 15

Cleanup ..... 15

General Operation Information ..... 16

Whirlpool Operation ..... 16

Controlling Whirlpool Direction and Flow ..... 18

Purging the Whirlpool System ..... 19

Bathtub Additives ..... 19

Maintenance ..... 20

Troubleshooting Procedures ..... 21

Authorized Service ..... 22

Warranty ..... 23

### Product Information



Save these instructions for future use. Use the form below to record your model and serial number for future reference.

Date Purchased \_\_\_\_\_

Purchased From \_\_\_\_\_

Installed By \_\_\_\_\_

Serial Number \_\_\_\_\_

Model \_\_\_\_\_

**Installer:** Leave the manual for the homeowner.

**Homeowner:** Read this manual and keep for future reference.

## Safety instructions

### INSTRUCTIONS PERTAINING TO A RISK OF FIRE, ELECTRIC SHOCK, OR INJURY TO PERSONS.

This is a professional grade product. A knowledge of construction techniques, plumbing and electrical installation according to codes are required for proper installation and user satisfaction. We recommend that a licensed contractor perform the installation of all Jacuzzi® Luxury Bath products. Our warranty does not cover improper installation related problems.



**CAUTION:** When using this unit, basic precautions should always be performed, including the following:

- **READ AND FOLLOW ALL INSTRUCTIONS. SAVE THESE INSTRUCTIONS.**
- Use this unit only for its intended use as described in this manual. Do not use attachments not recommended by the manufacturer.
- Never drop or insert any object into any opening.



**WARNING: RISK OF ACCIDENTAL INJURY OR DROWNING!**

Do not permit children to use this unit unless they are closely supervised at all times. Do not use hydromassage bathtubs unless all suction guards are installed to prevent body and hair entrapment. Never operate the hydromassage bath if the suction cover is broken, damaged or missing.



**DANGER: RISK OF SEVERE INJURY FROM ELECTRIC SHOCK OR DEATH FROM ELECTROCUTION!**

This unit must be connected only to a supply circuit that is protected by a 15 amp ground fault circuit interrupter (GFCI). Such a GFCI should be provided by the installer and should be tested on a routine basis. To test the GFCI, push the test button. The GFCI should interrupt power. Push the reset button. Power should be restored. If the GFCI fails to operate in this manner, the GFCI is defective. If the GFCI interrupts power to the bathtub without the test button being pushed, a ground current is flowing, indicating a possibility of an electric shock. Do not use this hydromassage bathtub. Disconnect the hydromassage bathtub and have the problem corrected by a qualified service representative before using.



**WARNING:** Do not operate this unit without the guard over the intake for the circulation pump (suction cover/strainer).



**WARNING: RISK OF ELECTRIC SHOCK!**

Connect only to a circuit protected by a ground fault circuit interrupter (GFCI). (For permanently connected units) A green-colored terminal (or a wire connector) marked "G," "GR," "GROUND," or "GROUNDING" is provided within the terminal compartment. To reduce the risk of electric shock, connect the terminal or connector to the grounding terminal of your electric service or supply panel with a conductor equivalent in size to the circuit conductors supplying the equipment.



**CAUTION:** This equipment is intended for indoor use only. Install the equipment in accordance with these instructions. Use supply wires that are suitable for 167°F (75°C), including the temperature rating of the supply conductors to be used. This unit should be electrically grounded and installed by a licensed contractor, electrician, and plumber. Building materials and wiring should be routed away from the motor/pump or blower or other heat producing components of this unit. A pressure wire connector is provided on the exterior of the motor/pump and heater to permit connection of an No. 8 AWG solid copper bonding conductor between this unit and all other electric equipment and exposed metal in the vicinity, as needed to comply with local requirements.

### Important CSA safety instructions (Canadian models only)



When using this electrical equipment, basic safety precautions should always be followed, including the following:

1. **WARNING: RISK OF ACCIDENTAL INJURY OR DROWNING! CHILDREN SHOULD NOT USE HYDROMASSAGE BATHTUB WITHOUT ADULT SUPERVISION.**
2. **WARNING: RISK OF ACCIDENTAL INJURY OR DROWNING! DO NOT USE HYDROMASSAGE BATHTUB UNLESS ALL SUCTION GUARDS ARE INSTALLED TO PREVENT BODY AND HAIR ENTRAPMENT.**
3. **WARNING: TO AVOID INJURY, EXERCISE CARE WHEN ENTERING OR EXITING THE HYDROMASSAGE BATHTUB.**
4. **WARNING: RISK OF ACCIDENTAL INJURY OR DROWNING! DO NOT USE DRUGS OR ALCOHOL BEFORE OR DURING THE USE OF A HYDROMASSAGE BATHTUB EQUIPPED WITH A HEATER TO AVOID UNCONSCIOUSNESS AND POSSIBLE DROWNING.**
5. **WARNING: RISK OF FETAL INJURY! PREGNANT OR POSSIBLY PREGNANT WOMEN SHOULD CONSULT A PHYSICIAN BEFORE USING A HYDROMASSAGE BATHTUB EQUIPPED WITH A HEATER.**
6. **WARNING: RISK OF HYPERTHERMIA AND POSSIBLE DROWNING: DO NOT USE A HYDROMASSAGE BATHTUB EQUIPPED WITH A HEATER IMMEDIATELY FOLLOWING STRENUOUS EXERCISE.**
7. **SAVE THESE INSTRUCTIONS .**

## Operational Safety instructions


**WARNING:**
**RISK OF HYPERTHERMIA AND POSSIBLE DROWNING!**

Do not use a hydromassage bathtub equipped with a heater immediately following strenuous exercise.


**WARNING:**
**RISK OF ELECTRICAL SHOCK!**

- Do not permit electrical appliances (such as a hair dryer, lamp, telephone, radio or television) within 60" (1524mm) of this hydromassage bathtub.
- Do not operate hydromassage system unless the bath is filled with water to at least 1-2" (25-51 mm) above the highest jet.
- Do not immerse the control panel by overfilling the bath.
- When cleaning your bath, do not use abrasive substances which will damage the bath's surface.
- To prevent discoloration of the acrylic finish, do not fill the bath with water in excess of 140°F (60°C).


**WARNING:**
**PROLONGED IMMERSION IN HOT WATER MAY INDUCE HYPERTHERMIA!**

Hyperthermia occurs when the internal temperature of the body reaches a level several degrees above the normal body temperature of 98.6°F (37°C). The symptoms of hyperthermia include an increase in the internal temperature of the body, dizziness, lethargy, drowsiness and fainting. The effects of hyperthermia include:

- A. Failure to perceive heat.
- B. Failure to recognize the need to exit the bath.
- C. Unawareness of impending hazard.
- D. Fetal damage in pregnant women.
- E. Physical inability to exit the bath.
- F. Unconsciousness resulting in danger of drowning.


**WARNING:**
**RISK OF FETAL INJURY!**

Pregnant or possibly pregnant women should consult a physician before using a hydromassage bathtub equipped with a heater.


**WARNING:**

Keep body and hair a minimum of 6" (152mm) away from the suction fitting at all times when the hydromassage system is in operation. Hair longer than shoulder length should be secured close to the head.


**WARNING:**

The use of alcohol, drugs or medication can greatly increase the risk of fatal hyperthermia. People using medications or having an adverse medical history should consult a physician before using a hydromassage bathtub equipped with a heater.


**WARNING:**

Do not tamper with user-operated controls or such devices.


**WARNING:**

Use this unit only for its intended use as described in this manual. Do not use attachments not recommended by the manufacturers.


**WARNING:**

To avoid injury, exercise caution when entering or exiting the hydromassage bathtub.


**WARNING:**

Do not use hydromassage bathtub unless all suction guards are installed to prevent body and hair entrapment. Never operate the hydromassage bath if the suction cover is broken, damaged or missing.


**WARNING:**

Water temperature in excess of 104°F (40°C) may be injurious to your health. Check and adjust water temperature before use.


**CAUTION:**

Test the ground fault circuit interrupter protecting this appliance periodically in accordance with manufacturer's instructions.


**IMPORTANT:**

Read the complete instructions provided in this manual before beginning installation.


**IMPORTANT:**

For optimal operation, the water level must remain at 1" to 2" (25mm to 50mm) above the highest jet; do not use oil-based bathtub additives in your hydromassage bathtub.

The Company has obtained applicable code (standards) listings generally available on a national basis for products of this type. It is the responsibility of the installer/owner to determine specific local code compliance prior to installation of the product. The Company makes no representation or warranty regarding, and will not be responsible for any code compliance. Product specifications are subject to change without notice.

## Inspection and Testing

### Visual Inspection

- 1 Remove the bathtub from the shipping carton. Be careful not to scratch the surface of the bathtub on exposed staples. Remove the staples or fold them into the carton. Retain the carton until satisfactory inspection of the product has been made. Do not lift the bathtub by the plumbing at any time; handle by the shell only.
- 2 Inspect the shell and bathtub components. Should inspection reveal any damage or defect in the finish or visible damage to any components, do not install the bathtub. Damage or defect to the finish claimed after the bathtub is installed is excluded from the warranty. Jacuzzi Luxury Bath's responsibility for shipping damage ceases upon delivery of the products in good order to the carrier.
- 3 Refer any claims for damage to the carrier. For definitions of warranty coverage and limitations, refer to the published warranty information packed with the product or in the back of this manual.

### Bathtub Water and Operational Test

All bathtub units are factory tested for proper operation and watertight connections prior to shipping. However, the unit must be retested by the installer prior to installation. Jacuzzi Luxury Bath is not responsible for any defect that could have been discovered, repaired, or avoided by following this inspection and testing procedure:

- 1 Place the bathtub on a level surface, near appropriate electrical supply, water supply, and water drainage. A driveway is a suitable choice.
- 2 Seal the drain and overflow hole with tape or a stopper and fill the bathtub to the bottom of the overflow hole.
- 3 Allow bathtub to stand for 5 minutes.
- 4 Plug in motor/pump and turn unit on. Confirm that all features function as described in the Operation section of this manual. Do not install the bathtub if bathtub fails to operate as described.
- 5 Visually inspect all joints for leaks. Do not install the bathtub if leaks are detected.
- 6 Return bathtub to box or otherwise protect from damage until time of installation.

## Framing

A technical specifications manual has been included with your bathtub. The Technical Specifications Manual will contain pertinent information regarding your Jacuzzi Luxury Bath product. Locate the Technical Specifications Manual at this time.

Frame out the space where the bathtub is to be located. The following should be taken into consideration when preparing the area:

- Dimensions provided on rough-in diagrams are nominal. Measure your actual unit upon receipt and build according to the actual dimensions.
- The floor structure beneath the bathtub must be able to support the total weight of the bathtub, water and bather.
- The unit must be supported from the bottom of the bathtub and not from the bathtub rim. For drop-in installations, take into account the thickness of the surround material and finishing material (marble, tile, etc.).
- Ensure the rim will rest on a level surface.
- Per code, access must be provided to the motor/pump for your specific model. Primary and secondary service access locations are shown in the rough-in diagrams contained in the Technical Specifications Manual. Figure 1 shows common access locations.



It is the responsibility of the installer, building contractor, or owner to provide access for service. Jacuzzi is not responsible for any costs relating to obtaining access for repair. The owner shall bear such costs and, if appropriate, must seek recovery from the installer.

- Provide adequate ventilation for cooling and supply sufficient air for the motor/pump. Do not insulate around the equipment.
- Your bathtub may have motor/pump parts that extend beyond the rim of the bathtub. Refer to the rough-in diagrams included in the warranty pack and construction framing to correctly accommodate.

### Common Access Locations

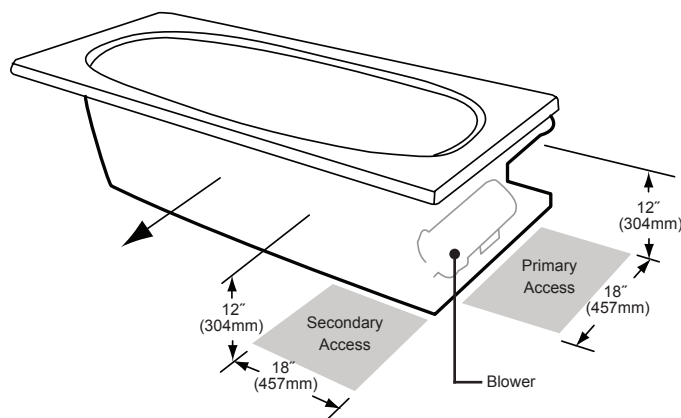
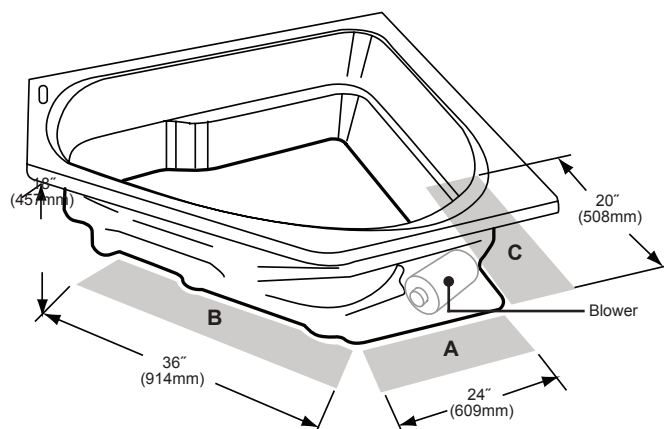


Figure 1



- A** = Primary access
  - B** = Acceptable alternative if access **A** is not possible
  - C** = Secondary access for equipment (optional)
- Left hand unit access is on the opposite side (mirror).

Figure 2

## Framing (con't)

- To ensure the installer has space to maneuver and install the bathtub, allow adequate wall and ceiling clearance (Figure 3).

### Clearance Examples

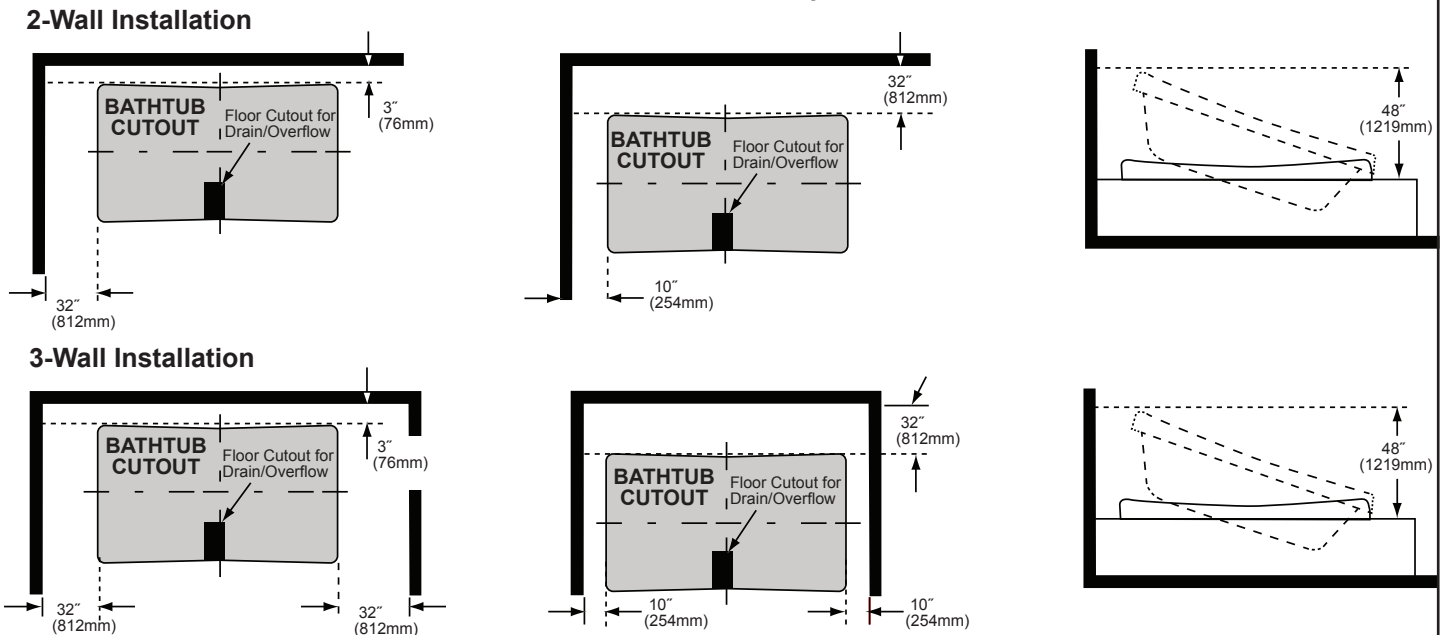


Figure 3

## Subfloor

Prepare the subfloor for the drain and ensure that the area is level.

- The drain/overflow of the bathtub extends below the bottom of the bathtub. Identify the drawing in the Technical Specifications Manual that corresponds with your bathtub.
- Make appropriate cuts to the subfloor to accommodate the drain.
- Jacuzzi's Tru-Level™ base is a standard feature on all bathtubs. If the subfloor is level and a continuous surface, no other preparation is necessary. Proceed to the "Installation" section.
- If the subfloor is not level, you must level the entire surface prior to installing the bathtub. The materials used will insure that the bathtub is supported from the bottom. These materials include: leveling compound, mortar, plaster or minimal expansion structural foam (having a density of a minimum 5lbs/cubic foot). The bathtub must remain level in order for it to drain properly and must make contact with the leveling material. Both sides of a joint or splice of subfloor should be level to each other.



## Fuzion™ Specific Material

The additional design features of the Fuzion™ require that the following steps be completed prior to installing the bathtub in the constructed surround. The following steps must also be completed in the order specified:

- Fuzion™ Overflow/Drain Installation
- Fuzion™ Wood Frame Installation
- Fuzion™ Control Panel Installation

## Fuzion™ Faucet Installation



Selecting a faucet for rim mounting: The combined thickness at the rim of the bathtub shell and optional wood deck is 2" (50mm) nominal. The length of the faucet tailpiece(s) must be long enough to extend past this dimension and have ample clearance to assemble any hardware (i.e. locknut, water supply fittings, etc.) necessary for installation. For undermount units, the combined thickness of the bathtub shell is ½" (12mm) nominal and the undermount deck should not exceed the length of the faucet tailpiece(s), including any assembly hardware.

## Fuzion™ Overflow Drain Installation



Assemble in accordance with the local plumbing or building codes.

- 1 Identify drain overflow kit provided with your bathtub. Remove and open the overflow package and confirm that all parts are present.
- 2 Remove washers and nuts from the overflow fitting.
- 3 Place a small bead of plumbers putty, silicone, or similar approved sealant around the underside of the top flange of the overflow fitting.
- 4 Place the overflow fitting into the overflow hole of the bathtub (Figure 3).
- 5 From the underside of the unit, place the rubber washer then locknut on the overflow fitting and tighten securely. Be careful not to overtighten.
- 6 Assemble the remaining drain pieces as shown in the illustration.
- 7 After the drain is fully installed, test for proper drainage. If the unit does not drain properly, rectify this condition before proceeding with further bathtub installation.



Watertight installation of the drain and overflow is the installer's responsibility. Drain leakage is excluded from the Jacuzzi Luxury Bath warranty of this product

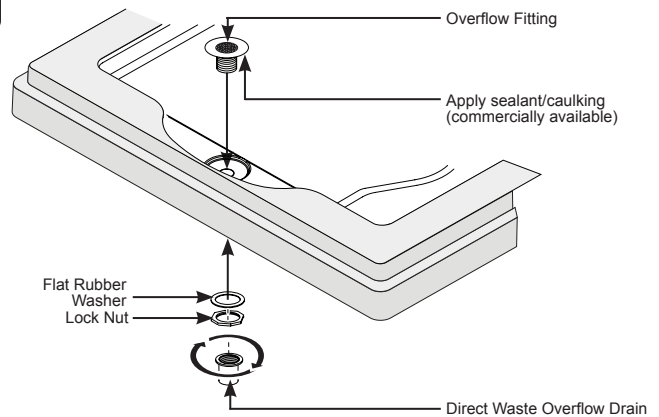
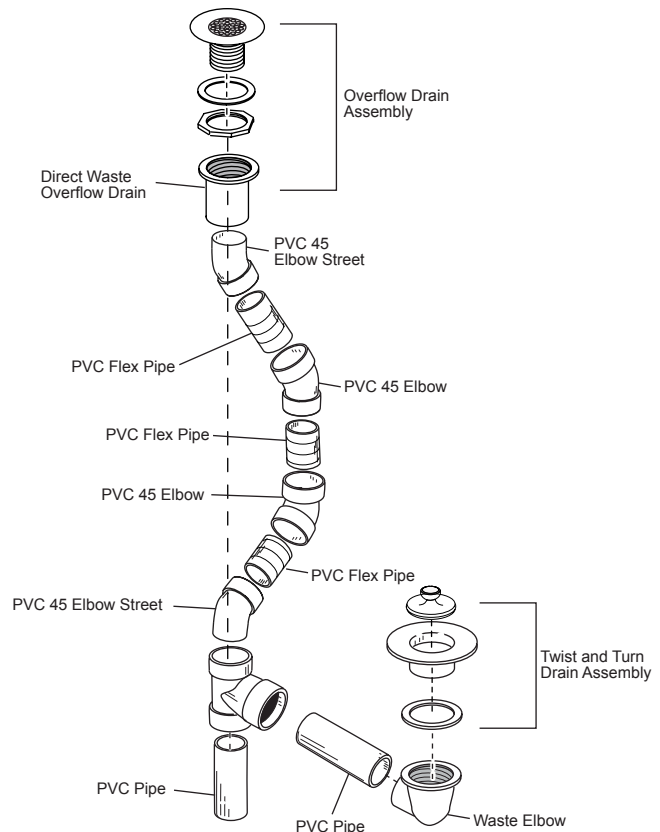



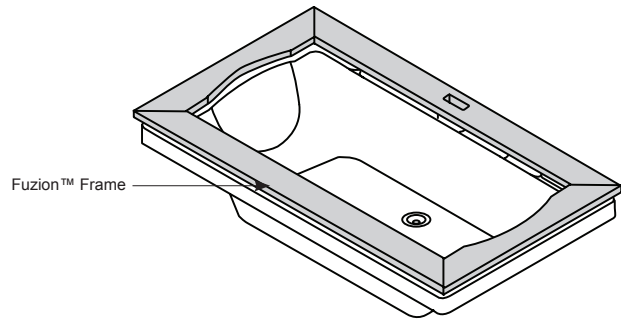
Figure 3 - Overflow Installation




OPTIONAL - If the Fuzion™ Wood Frame is not being used, please proceed to Step 2 in the Undermount Installation section.

## Fuzion™ Frame Installation

-  If you are installing a Fuzion™ bathtub with accessory frame, please refer to the Fuzion™ Frame Installation Guide (#GL44000) before proceeding any further. Complete the installation and assembly steps according to the Fuzion™ Frame Installation Guide.



## Fuzion™ Control Panel Installation

-  The following cutouts must be clear and free of any dirt or adhesive:

- Control panel cutout in the assembled wood frame
- Control panel cutout in the assembled counter
- Control panel cutout in the bathtub

- 1** Insert the wire connector into the back of the control panel (Figure 4).

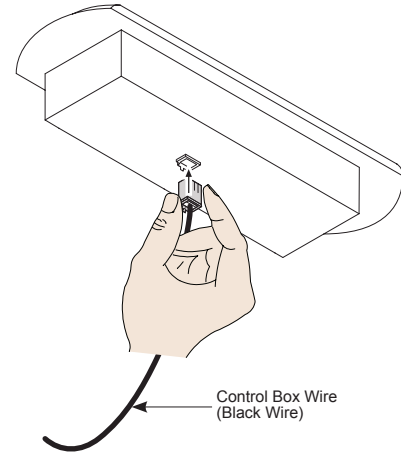


Figure 4 - Control Panel

- 2** Sparingly apply adhesive around the base of the control panel (Figure 5).

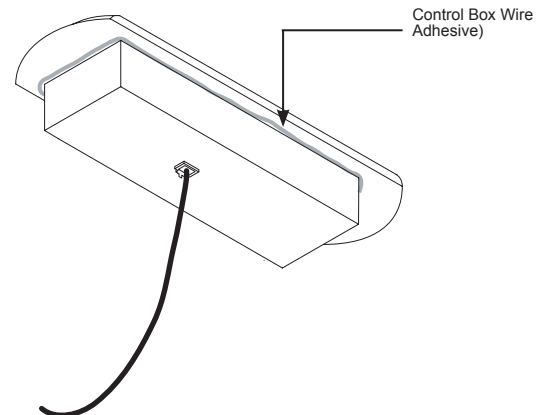


Figure 5 - Adhesive Application

- 3** Thread the wire through the cutout and to the control box.
- 4** Orient control panel in the following manner: the logo will be on the right side of the J4 control panel when you are sitting in the bathtub (the power button will be on the right side of the J5 LCD control panel).
- 5** Lower the control panel into the cutout and press firmly to embed the adhesive (Figure 6).
- 6** Connect the wire to the control box.
- 7** Please proceed to Step 3 in the Drop-In Installation section.

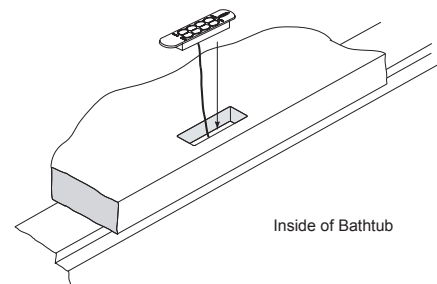




Figure 6 - Control Panel

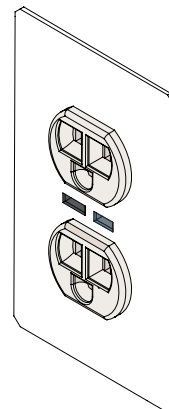
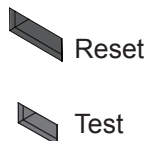
## Electrical Connections




-  Risk of electric shock. Connect only to a circuit protected by a GFCI.
-  When using electrical products, basic precautions should always be followed:
  - Always follow local building and electrical codes.
  - Grounding is required. The unit should be installed and grounded by a qualified electrician.

Two separate GFCI protected circuits are required.




A separate, 120VAC, 20 Amp GFCI circuit is required for the pump/motor.

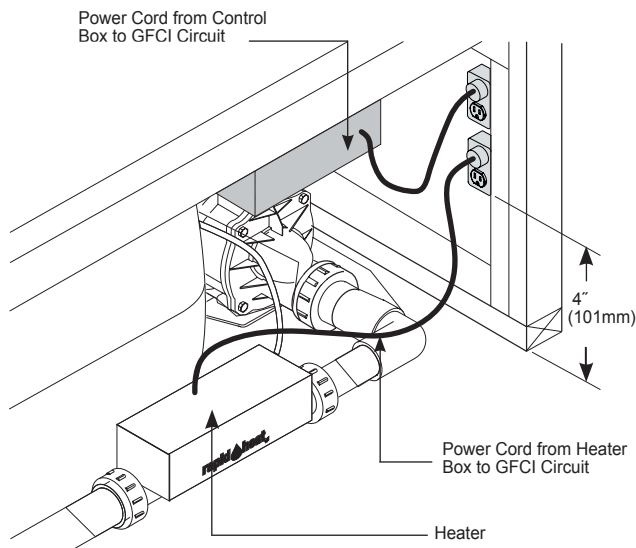
A separate, 120VAC, 15 Amp GFCI circuit is required for the heater.




-  Risk of component overheating. Do not use electric extension cord to power this unit.
-  Operating the motor/pump without enough water in the bathtub can cause leaking and permanent damage.
-  At initial startup, the 7 button electronic control system enters an automatic self diagnostic program for 15-20 seconds. During the diagnostic program, the system will not accept user commands.


## Pump/Motor and Heater

- 1** For the pump/motor, install a 120 VAC, 20AMP, GFCI duplex outlet to the stud wall underneath the bathtub at 4" (101mm) above the floor. The duplex outlet is not supplied.
  -  The duplex outlet must be mounted 4" (101mm) above the floor line, or in accordance with local building and electrical codes.
  - 2** Using a #8 solid copper wire, ground the pump motor to the house electrical panel, or approved local ground. A grounding lug is provided on the pump motor.
  - 3** For the heater, install a 120VAC, 15 AMP RATED GFCI single outlet to the wall stud underneath the bathtub, at least 4" (101mm) above the floor. The single outlet is not provided.
  - 4** With a #8 solid copper wire, ground the heater to the house electrical panel or approved local bond. A grounding lug is provided on the heater.
  - 5** At initial start-up, and before each use thereafter with power ON, push the GFCI test button. The reset button should pop out.
-  Push this button in to reset. If the interrupter fails to operate in this manner, there is a ground current flowing or a device malfunction, indicating the possibility of electrical shock.
  -  Turn OFF power and do not use the bathtub until the source of the problem has been identified and corrected.

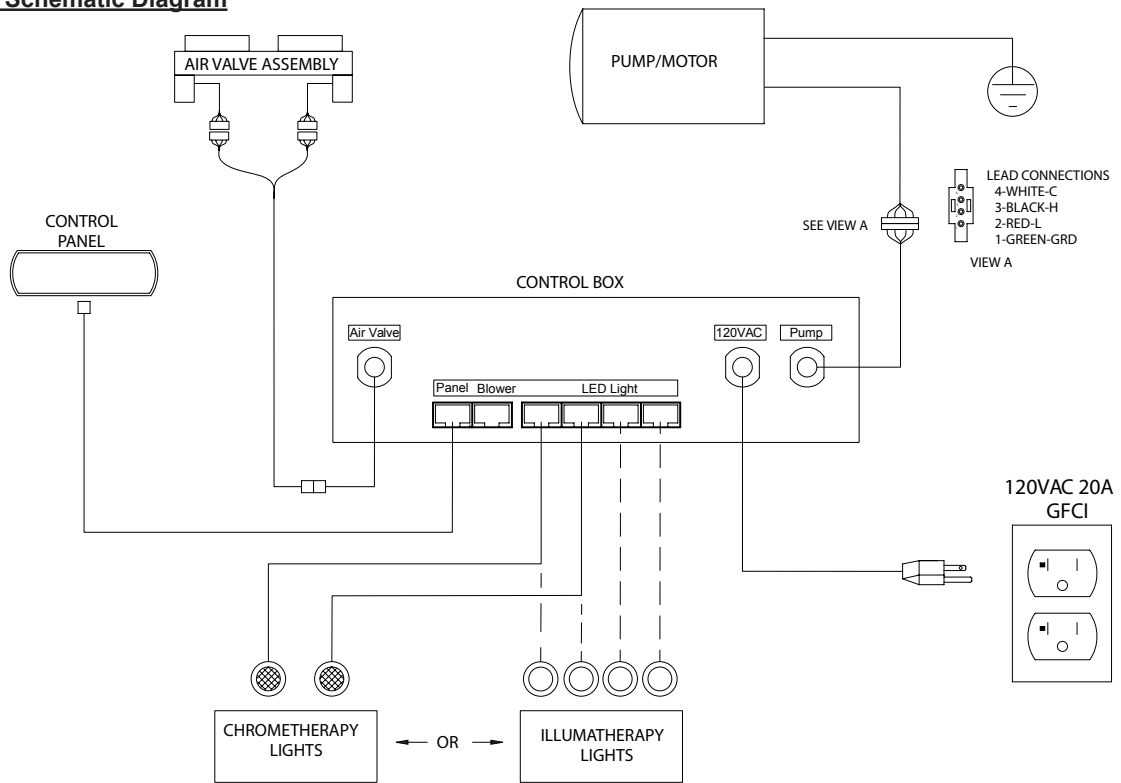


**Reference Illustrations**

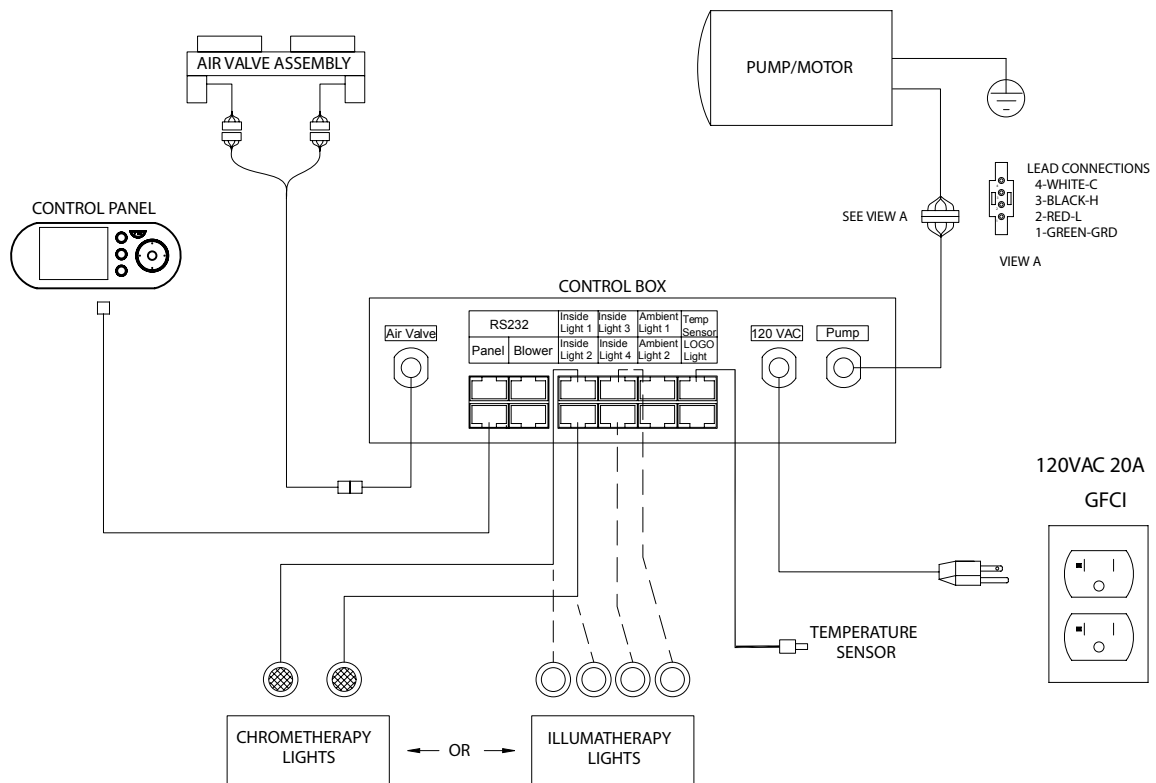
 These illustrations are for reference only, as the unit comes fully assembled.

 Risk of electric shock. Before servicing these connections, disconnect all power supply cables to both 120VAC services.

**J4 Control Panel Schematic Diagram**



**J5 Control Panel Schematic Diagram**



## Drop-in Installation



Before you begin your installation, please read the following:

- Observe all local and building codes.
- Determine which tools will be used during the installation.
- Additional bathtub drain parts and plumbing are commercially available at plumbing and hardware stores.
- Drain/Overflow rough-in information is included with your bathtub in the installation instruction manual.

Complete the bathtub surround installation (Figure 8).

- 1 Install drain/overflow according to the manufacturer's instructions. Refer also to the Technical Specifications Manual.



Watertight installation of the drain is the installer's responsibility. Drain leakage is excluded from the Jacuzzi Luxury Bath warranty of this product.



Install the faucet at this time. It is recommended that the faucet be installed by a qualified plumber.



Proper installation of the spout plumbing and compliance with local codes are the responsibility of the installer. Jacuzzi Luxury Bath does not warrant connections of water supply fittings and piping, fill systems, or drain/overflow systems. Nor is it responsible for damage to the bathtub which may occur during installation.



A non-flammable protective barrier must be placed between the soldering work and the bathtub unit to prevent damage to the bathtub.



Prepare the cut-out hole for the bathtub using either the provided full scale template or the cutout dimensions listed in the specifications table in the Technical Specifications Manual.



The template may show guides for more than one bathtub, be certain to select the appropriate guide lines. If under mounting is an option, be careful to select the guide lines that apply to the installation that you are performing.



Complete all deck finish work and cover to protect from damaging while placing the bathtub.



Insulation may be placed within the bathtub surround.



Provide adequate ventilation around the motor/pump to ensure sufficient airflow and cooling.



Turn off power supply to dedicated GFCI protected circuits.



Place a piece of scrap lumber on each of the ends of the cutout – this will be used as a temporary support prior to lowering the bathtub fully into the opening (Figure 9).

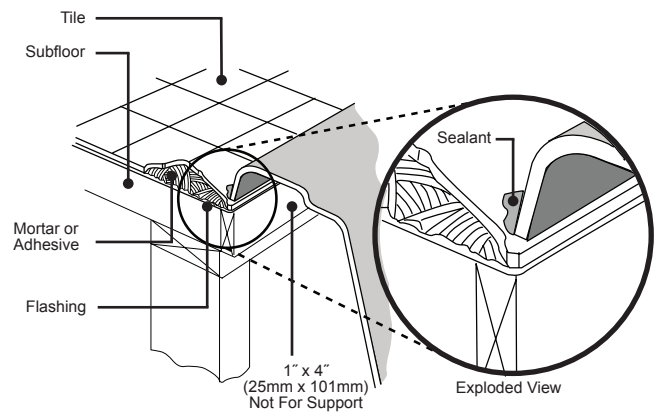


Figure 8

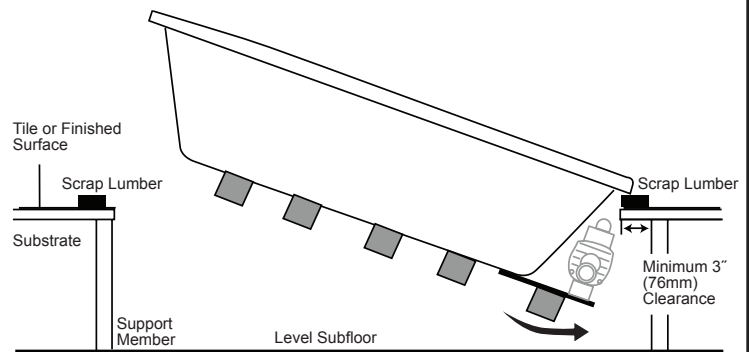



Figure 9

## Drop-in Installation (con't)

- 8** Install the unit, inserting the motor/pump end first, lowering the bathtub into the opening as shown in the illustration (Figure 10).
-  DO NOT use plumbing fixtures or lines to lower the unit. Allow the bathtub to rest on the supports.

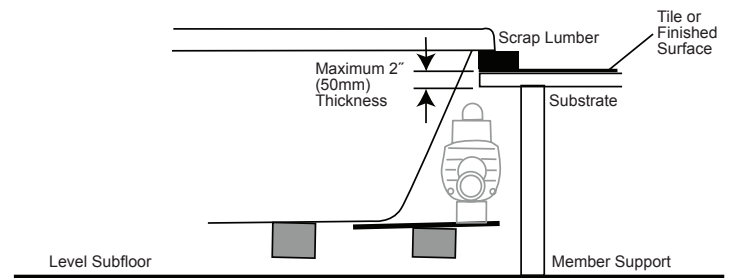


Figure 10

- 9** Inspect all fittings, plumbing, and control lines after inserting to insure the components are not damaged, disconnected, or contacting the finish surface substrate or support members.
- 10** Connect flex water supply lines to faucet and plug power cords into GFCI outlets.
- 11** Remove scrap lumber and lower the bathtub fully into the opening (Figures 11 and 12).
- 12** Align the bathtub and connect the drain.
- 13** Turn on the power supply to the dedicated GFCI protected circuits and check system operation.
- 14** Caulk around the perimeter of bathtub to seal the space between the rim and the finished deck.

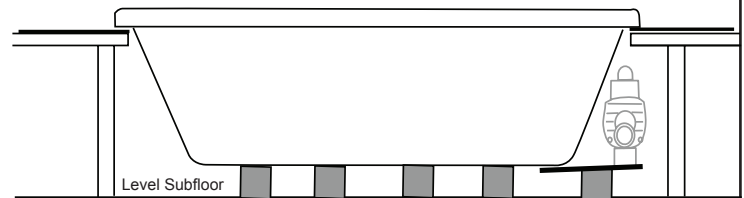


Figure 11

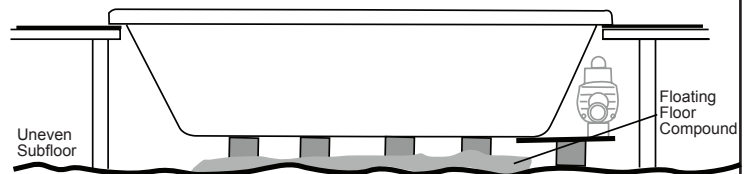


Figure 12

## Undermount Installation

- 1 Install drain/overflow according to the manufacturer's instructions.
- ⚠️ Watertight installation of the drain is the installer's responsibility. Drain leakage is excluded from the Jacuzzi Luxury Bath warranty of this product.
- 2 Turn off power supply to dedicated GFCI protected circuits.
- 3 Install the unit in desired location. DO NOT use plumbing fixtures or lines to carry or lower the unit.
- 4 Inspect all fittings, plumbing, and control lines after inserting to insure the components are not damaged or disconnected.
- 5 Align the bathtub and connect the drain.
- 6 Insulation may be placed within the bathtub surround.
- ⚠️ Provide adequate ventilation around the motor/pump to ensure sufficient air flow and cooling.
- 7 Cut deck/counter to fit using the undermount template provided as follows:
  - Position the template so that the desired undermount guidelines are aligned with the rim edge as shown (Figure 12).
  - Using a grease pencil, mark the center lines (denoted by  $\Phi$  on template). Remove template.
  - Measure the distance from the wall, or other fixed point, to the center lines (Figure 13).
- 8 Affix counter to bathtub. Clean any dirt or debris from the top of the bathtub rim. Apply a bead of silicone sealant around the entire rim of bathtub.
- ⚠️ Do not use an adhesive or adhesive sealant to secure the counter to the bathtub. If maintenance or remodeling is required, the counter may have to be removed. Adhesive will permanently bond the counter to the bathtub. Carefully position the deck/counter over the bathtub. Follow manufacturer's instructions to determine cure time.
- 9 Apply a continuous bead of silicone sealant around the entire seam between the counter and the bathtub rim. Allow sealant to cure according to manufacturer's instructions.
- 10 Turn on the power supply to the dedicated GFCI protected circuits and check system operation.

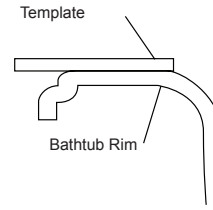


Figure 12 - Template Placement

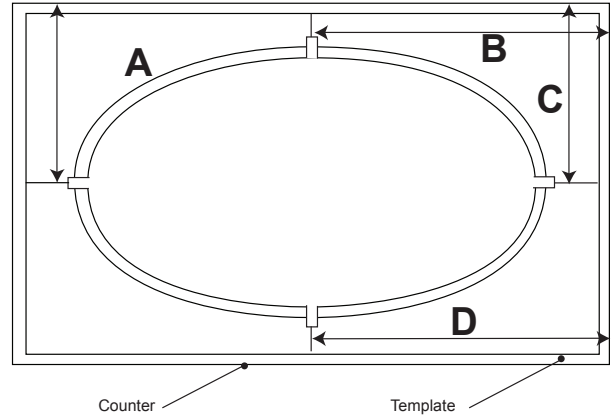


Figure 13 - Distance Measurement

## Cleanup

- To avoid dulling and scratching the surface of the bathtub, never use abrasive cleaners. For most soiled surfaces, a mild liquid detergent and warm water is sufficient. The following is also recommended:
- Remove spilled plaster with a wood or plastic edge. Spots left by plaster or grout can be removed if lightly rubbed with detergent on a damp cloth or sponge. Do not use metal scrapers, wire brushes or other metal tools, as they will damage the bathtub's surface.
  - Paint, tar, or other difficult stains can be removed with Fantastik® or soapy water.
  - Minor scratches which do not penetrate the color finish can be removed by lightly sanding with 600-grit wet/dry sandpaper. You can restore the glossy finish to the acrylic surface of the bathtub with a special compound, Meguiar's #10 Mirror Glaze. If that is not available, use automotive rubbing compound followed by an application of automotive paste wax.
  - Major scratches and gouges which penetrate the acrylic surface will require refinishing. Call Jacuzzi Luxury Bath to find a service agent in your area.

## General Operation Information

All bathtubs manufactured by Jacuzzi Luxury Bath are designed for “fill and drain,” which means the bathtub should be drained after each use and filled with fresh water by the next bather. This is a health precaution, as these bathtubs are not designed to hold water continuously like pools or spas.

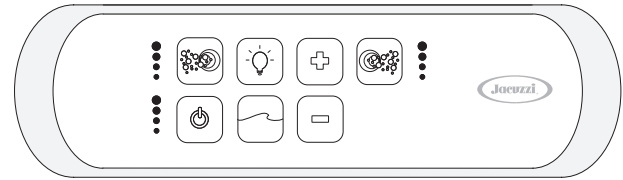
Two control panel types are available for the Luxury Whirlpool series. Refer to details below:

- J4 Luxury Electronic Control Panel: Operational instructions for this panel is listed below.
- Optional J5 Luxury LCD Control Panel: Operation instructions for this panel are outlined in the supplemental guide provided in your warranty pack. Refer to this document for complete operation details (P/N GU47000).

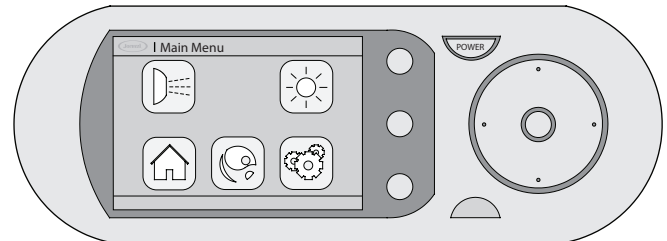
Close the drain and fill the bathtub until water is at least 1" to 2" (25mm to 51mm) above the highest jet (see water line indicated in the illustration). Do not turn on the whirlpool system at any time if the jets are not completely immersed in water. Running the whirlpool system when there is insufficient water in the bathtub could result in water spraying outside the bath area. Running the whirlpool system without water will damage the recirculating pump.



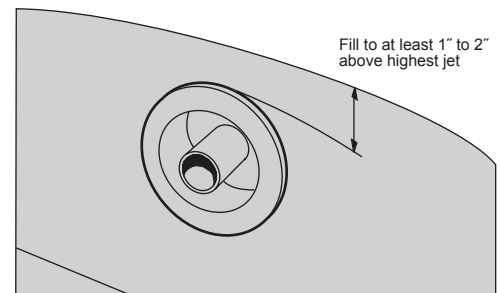
When exiting the bathtub, the water level will drop below the jets which could result in water being sprayed out of the unit. To prevent this, you must turn unit OFF before exiting bathtub.



J4 Control Panel



J5 Control Panel



Fill to at least 1" to 2" above highest jet

## Whirlpool Operation

**ON:** Press the jet button once to turn the whirlpool jets ON.

The whirlpool motor will be on high speed. The indicator lights at left will illuminate brightly.

**OFF:** Press the jet button a second time to turn the whirlpool jets OFF.



If in chromatherapy lighting mode (indicator lights to the left of the jet button are dim), you will need to press jet button once to resume whirlpool operation mode and then a second time to turn the whirlpool power off.

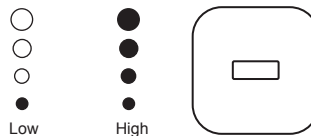




### Decrease Speed

**Press the (-) button to decrease whirlpool speed.**  
 There are 2 whirlpool motor speeds, high and low. The indicator lights display the setting.

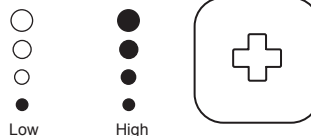
- 1 light on = Low speed
- 4 lights on = High speed



### Increase Speed

**Press the (+) button to increase whirlpool speed.**  
 There are 2 whirlpool motor speeds, high and low. The indicator lights display the setting.

- 1 light on = Low speed
- 4 lights on = High speed

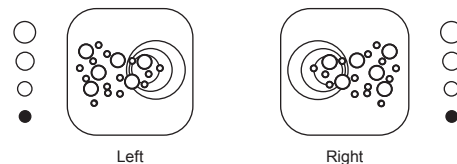


### Air Flow

**Press the left air valve button to activate the left air valves, press the right air valve button to activate the right air valves.**

The amount of air induced into the whirlpool jets can be controlled from maximum to none. Use the (+) and (-) buttons to increase or decrease air flow.

The indicator lights immediately to the left and right of the air valve buttons indicate the amount of air induced.



### Wave Mode

**Press the wave button to cycle the air flow in the jets from maximum to no air flow.**

If the wave mode does not initiate, ensure that you are in whirlpool operation mode (lights immediately to the left of the jet button should be brightly lit).

Both right and left air valves are cycled simultaneously from a closed position (no air) to open (max air).

The indicator lights will display the flow as it cycles from minimum to maximum. To turn off wave mode, press the (wave) button.



## Chromatherapy or Allumithery (Light) Operation

### Press light button 1st time:

Turns colored lighting ON, use up and down buttons to start color scroll or select alternate color.



### Press light button 2nd time:

Turns white lighting ON, use up and down buttons to select intensity of white light.

### Press light button 3rd time:

Turns all lighting OFF

### Colored Lighting Operation

The colored lighting default is constant blue. Pressing the (+) button activates color scroll in this order: blue, teal, green, yellow, orange, red, pink, purple and then returns to blue and continuously repeats. To stop on a selected color, press the (+) button again. Pressing the (-) button activates color scroll in this order: blue, purple, pink, red, orange, yellow, green, teal and then returns to blue and continuously repeats. To stop on a selected color, press the (-) button again.

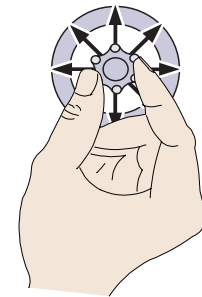
### White Lighting Operation

There are five white light intensities. Press the (+) button to increase light intensity. Press the (-) button to decrease light intensity.

## Controlling Whirlpool Direction and Flow

### Direction -

All Jacuzzi jets, except the rotating neck jets, can be directionally adjusted. To change the direction of the water flow, swivel the jet nozzle to the desired angle. The jets can be directed individually toward any location on your body to provide a hydromassage. The jets can also be adjusted so that they all point in the same direction (clockwise or counterclockwise) to circulate the water in a circular motion around the bath, causing a total whirlpool effect.





Multidirectional Jets

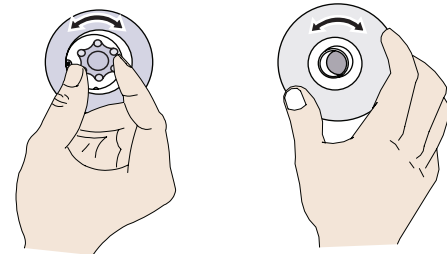
### Water Force -

Most Jacuzzi jets are designed for flow adjustment. For robust action, increase the force of the flow by rotating the nozzle, or face, to the left (counterclockwise). For a more gentle effect, or to close off the jet, rotate the nozzle, or face, to the right (clockwise).

Closing one or more jets can increase the water force in the remaining jets.

 The rotating neck jets, and some AccuPro™ jets, cannot be adjusted for water force.

 Never run the whirlpool system with all the jets closed.



### RapidHeat™

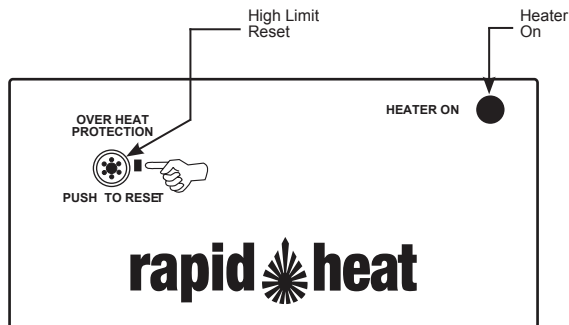
The heater turns ON automatically any time whirlpool operation is active. Heater operation is not displayed on the control panel. There is a visible indicator light on the heater itself that signifies the heater is operating. The heater will help maintain the temperature of the water in the bathtub.

### Vacuum Switch

The heater is equipped with a preset vacuum switch which will not allow the heater to turn ON if the pump is not running and water is not flowing through the whirlpool system.

### High-Limit Switch

The heater includes an exclusive High-Limit switch. This safety circuit will not false trip from hot tap water. It will only turn OFF the heater if the thermostat fails. To reset, press the button. If the high-limit trips frequently, please contact us at [www.jacuzzi.com](http://www.jacuzzi.com), or at 1-800-288-4002.



### Purging the Whirlpool System

To remove accumulations of bathtub residue from the whirlpool system, it is recommended that a whirlpool bathtub be cleaned at least twice a month. For best results, however, we recommend that you clean your whirlpool bathtub after each use using, Systems Clean™, our exclusive two-part plumbing system cleaner made specifically for whirlpool bathtubs. Systems Clean™ is available through an authorized Jacuzzi Whirlpool Bath Distributor or by calling us direct at 1-800-288-4002.

### Bathtub Additives



Do not use oil or oil-based bathtub additives.

If you want to use any kind of bathtub additive, use only a small amount of low-foaming powder or crystal substance; the whirlpool action intensifies the foaming properties of soaps.

The use of certain bathtub oils, bubble baths, and bathtub additives may increase the level of accumulations of bathtub residue in the whirlpool system and may cause false reading of the water level sensors. If excess accumulations persist, you should discontinue use of these products.

## Maintenance

To clean your bathtub, simply use a mild, nonabrasive liquid detergent solution. You can protect and restore the gloss to a dulled acrylic surface by applying Meguiar's #10 Mirror Glaze, a product specifically designed for use on acrylic finishes. If Meguiar's is not available, use a fine grade automotive rubbing compound followed by an application of automotive paste wax.



Never use abrasive household cleaners on any Jacuzzi Luxury Bath product.

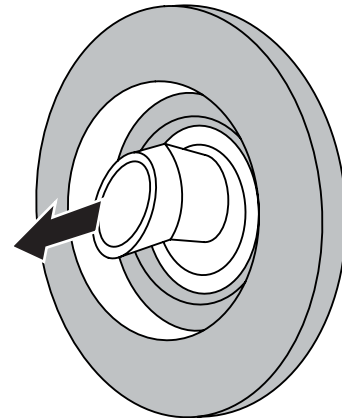
## Surface Repair

Minor scratches which do not penetrate the color finish can be removed by lightly sanding with 600-grit wet/dry sandpaper. Restore the gloss using Meguiar's Mirror Glaze or automotive paste wax. Major scratches and gouges which penetrate the acrylic surface will require refinishing. Call Jacuzzi Luxury Bath to find a service agent in your area.

## Spinning Jet Maintenance

If hair, or other types of debris, get caught in the bearings of these jets, it could cause them to stop spinning. This may require disassembly and removal.

To do this, simply grab the nozzle and pull it straight out of the jet housing. The bearing casing will be attached to the nozzle. These two items can be separated by holding the casing and pushing the nozzle out from the rear of the casing. After the cleaning is complete, reassemble and reinstall.



## Suction Cover/Strainer Maintenance

Clean the suction cover/strainer of hair and debris when necessary.

- 1 Remove the center screw and detach the suction cover.
- 2 Clean the cover by backflushing debris from the holes.
- 3 Replace the suction cover immediately after cleaning.



When reinstalling, orient the cover/strainer with the small notch at the bottom. The gasket must be inserted into the groove of the cover/strainer before reinstalling onto the suction fitting.

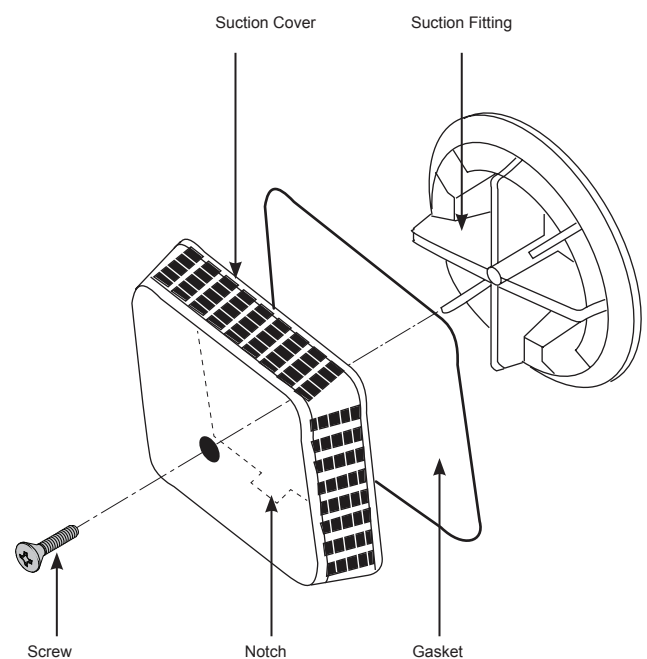


Keep hair a minimum of 6 inches (152 mm) away from the suction fitting at all times when the whirlpool system is operating. Hair longer than shoulder length should be secured close to the head, or a bathing cap should be worn.



Do not operate the whirlpool system with the suction cover/strainer removed!

It is a safety device and must always be in place on the suction fitting to minimize the potential hazard of hair and body entrapment.



## Troubleshooting Procedures

PROBLEM	PROBABLE CAUSES	REMEDY
Pump/motor does not start	No power to pump/motor	Reset GFCI
	Pump/motor not plugged in	Insert plug securely into outlet
	Pump/motor faulty	Ensure the control panel is connected to control box Contact Jacuzzi Luxury Bath @ 800-288-4002
Pump/motor operates but no fully adjustable jets are functioning	Jets are closed	Open jets by rotating counter-clockwise
	Suction cover/strainer may be clogged	With the motor turned OFF, remove the suction cover/strainer and remove any debris. Replace the suction cover before operating
Pump/motor operates but air is not injected into the water	Air valves are closed	Open air control valves
Water leakage from pump unions	Overtightened, O-ring may be pinched or improperly seated, undertightened	Loosen unions, check and reseal O-ring. If O-ring has been pinched out of shape, replace (refer to number below). When tightening union nuts, handtighten only.
Pump/motor shuts off by itself before time elapses	Motor thermal protection has deactivated pump/motor due to overheating (supply voltage low)	Let motor cool; thermal protection will reset. Check for proper ventilation (check supply voltage)
	GFCI tripped	Reset GFCI. If it continues to trip, do not use this unit. Disconnect the unit and have the problem corrected by a licensed electrician before using.
	Inadequate supply wiring	Consult a licensed electrician to correct the wiring unit.
Chromatherapy lights do not operate	Connector has come loose	Contact Jacuzzi Luxury Bath @ 800-288-4002

English



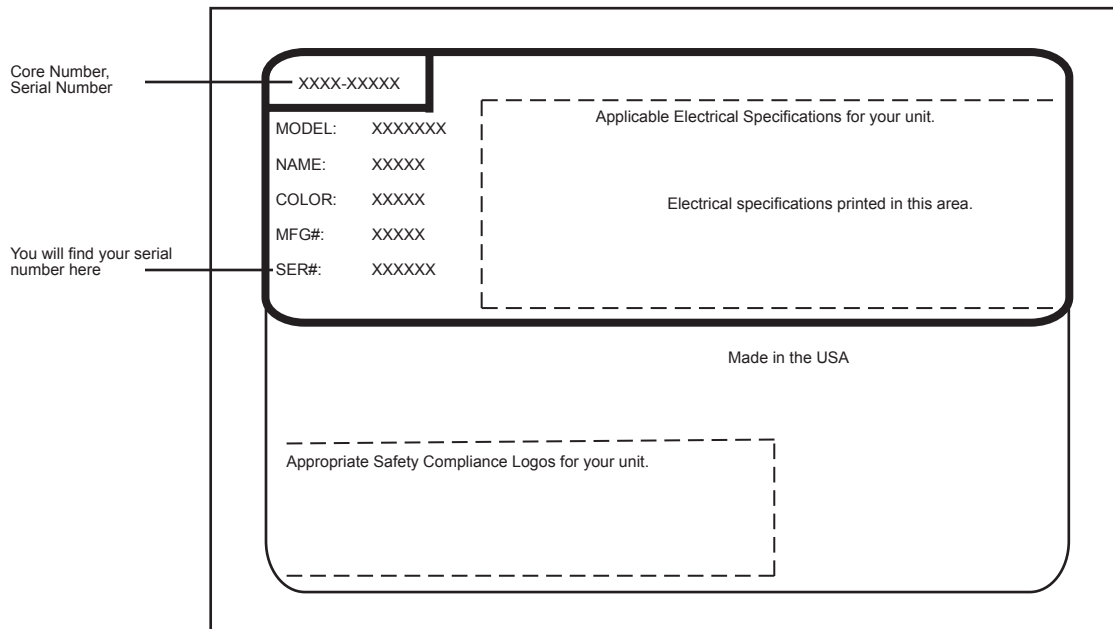
If the unit is within the warranty period, contact Jacuzzi Whirlpool Bath Service Support at 1-800-288-4002 with your bath's serial number before work is started. The serial number is located on the Specification/Serial Number Plate (see the following page).

## Authorized Service

If you need a referral for a service company near you, or need assistance with operation or maintenance-related questions, please call our Service Support Department at 1-800-288-4002. Visit our web site at <http://www.jacuzzi.com/> for products, services, and an online copy of these Installation and Operation Instructions.

When requesting service or technical assistance please have available both the model and serial number of your unit. This information can be obtained from the product registration card provided with your unit. If the card has been misplaced, this information can be obtained from the specification/serial number label on the unit itself. The label is located on the wall of the bathtub near the pump/motor.

### SPECIFICATION/SERIAL NUMBER LABEL



PRODUCT SPECIFICATIONS ARE SUBJECT TO CHANGE WITHOUT NOTICE.

USE TECHNICAL SPECIFICATIONS MANUAL SUPPLIED WITH PRODUCT.

Jacuzzi® Luxury Bath has obtained applicable code (standards) listings generally available on a national basis for products of this type. It is the responsibility of the installer/owner to determine specific local code compliance prior to installation of the product.

Jacuzzi® Luxury Bath makes no representation or warranty regarding, and will not be responsible for any code compliance.

Jacuzzi® Luxury Bath  
 14525 Monte Vista Avenue  
 Chino, California, 91710  
 1-800-288-4002  
[www.jacuzzi.com](http://www.jacuzzi.com)

# Limited Lifetime Warranty on Jacuzzi Luxury Branded Baths for the Comfort, Comfort Plus, Pure Air®, Luxury, Salon™ Spa, and Pure Air® II Collections

## WARRANTY COVERAGE

Jacuzzi Luxury Bath (the "Company") offers the following expressed limited lifetime warranty to the original purchaser of any Jacuzzi® Luxury Bath products provided in the Company's Comfort, Comfort Plus, Pure Air®, Pure Air® II, and Luxury™ collections ("Bath") who purchases the Bath for personal or single family residential use ("User"): The Company will repair or replace, at its sole option, the Bath or its equipment in accordance with the following terms and conditions. This warranty does not apply to non-branded Bath products manufactured by the Company.

### LIFETIME WARRANTY ON BATHS

The Company extends to the User of the Bath a non-transferable limited lifetime warranty that the shell will maintain its structural integrity and configuration and be free of water loss due to a defect in the bathtub shell. This warranty covers only the bathtub shell and the manufacturer installed pump, jets, controls, and blower against defects in material or workmanship. This warranty does not apply to any display models or to any options or accessories which are covered under our limited ninety (90) day warranty set forth below. Warranty coverage begins on the date the unit was originally purchased by the User and upon receipt by the Company of a completely filled out Warranty Registration Card as described below.

### 2 YEAR LABOR WARRANTY FOR ALL FACTORY INSTALLED COMPONENTS

Our limited labor warranty is for a period of two (2) years from the date the unit was originally purchased by the User, but not more than Three (3) Years from date of manufacture. All factory installed components (e.g., pump, motor, blower, and plumbing) are covered under our labor warranty against failure due to defects in materials and workmanship.

### NINETY DAY (PARTS ONLY) LIMITED WARRANTY ON OPTIONS AND ACCESSORIES

Our limited warranty on options and accessories is for ninety (90) days for parts only. Our warranty covers options and accessories manufactured (e.g., drains fill spout kits, trim kits, skirts, video monitors, plasma television screens, CD and MP3 players and other music and video devices and optional heaters) against defects in material or workmanship. Warranty coverage begins on the date the option or accessory was originally purchased by the User. These items may be covered by a manufacturer's warranty which may have a longer duration than this limited warranty. Please confirm with the manufacturer the duration of the appropriate warranty for Options and Accessories.

## WARRANTY LIMITATIONS

Our limited warranty does not cover defects, damage, or failure caused by the common carrier, installer, user, or other persons, pets, or rodents, or resulting from, without limitation, any of the following: careless handling (lifting unit by plumbing, abrading finish, etc.) including its own negligence; modification of any type for any reason (including modification to meet local codes); improper installation (including installation not in accordance with instructions and specifications provided with the unit); connections supplied by the installer of the equipment; improper voltage supply or unauthorized electrical modification; misuse; incorrect operation, or lack of proper routine maintenance; operation of the unit without specified minimum amount of water or at inappropriate water temperature; use of abrasive or improper cleaners; or acts of God, such as lightning, floods, earthquakes, etc.

In addition, THE COMPANY WILL NOT BE RESPONSIBLE FOR INCIDENTAL OR CONSEQUENTIAL DAMAGES or losses arising from any cause (e.g., water damage to carpet, ceiling, tiles, marble, loss of use, etc.) including its own negligence; damages to, respecting, or resulting from: plated parts when pool and/or spa chemicals are used in the unit or hard water conditions; optional bath equipment not manufactured by the Company but supplied by Dealer, installer or the Company; the unit's prior usage as an operational display; or defects that should have been discovered before installation.

This limited warranty does not include: labor, transportation, or other costs incurred in the removal and/or reinstallation of the original unit and/or installation of a replacement unit; any costs relating to obtaining access for repair; or loss of use damage, including loss of sales, profit or business advantage of any kind under any circumstances. Bath units are excluded from any warranty coverage if any addition, deletion, or modification of any kind whatsoever has been made to the unit (or to any component). Warranty coverage is provided in the United States of America and Canada only.

## EXCLUSION OF IMPLIED WARRANTIES

IMPLIED WARRANTIES OF MERCHANTABILITY AND FITNESS FOR A PARTICULAR PURPOSE ARE DISCLAIMED ALTOGETHER OR TO THE FULLEST EXTENT ALLOWED BY LAW.

NOTICE: This warranty gives you specific legal rights, and you may also have other rights which vary from state to state. There are no warranties applicable to Jacuzzi Luxury Bath products except as expressly stated herein or as implied by applicable state and federal laws. The Company will not be responsible for any statements or representations made in any form that go beyond, are broader than or are inconsistent with any authorized literature or specifications furnished by the Company. Some states do not allow limitations on how long an implied warranty lasts, or the exclusion or limitation of incidental or consequential damages, so the above limitations and exclusions may not apply to you.



Luxury Bath by Jacuzzi®  
HD84000

Jacuzzi® Luxury Bath  
14525 Monte Vista Avenue  
Chino, California 91710

**RETURN OF WARRANTY REGISTRATION**

To register your product, please go to our website [jacuzzi.com](http://jacuzzi.com), click on Bath and Showers, then select ONLINE WARRANTY REGISTRATION from the top of the page. You will then be prompted to enter your product Serial Number followed by your warranty registration information. Or you may also register by completing the registration below and mailing it to jacuzzi at the address provided below.

The attached Warranty Registration MUST be filled out by the purchaser within thirty (30) days from purchase and received by Jacuzzi Luxury Bath in order for this warranty to become effective.

**RESPONSIBILITIES OF OTHERS**

Inspecting the unit prior to installation is the responsibility of the installer or building contractor who acts on behalf of the User. They are responsible for ensuring the unit is free of defect or damage. Notices are placed on and in the unit and on the shipping carton advising the installer of this responsibility. In the event of a problem, the unit must not be installed. The Company is not responsible for failures or damage that could have been discovered, repaired, or avoided by proper inspection and testing (including proper water testing) prior to installation.

Damage occurring in transit is the responsibility of the carrier. The User or installer MUST open the crate and inspect the unit for damage when it is delivered. If damage is discovered, it must be reported immediately to the seller and the carrier in writing, and an inspection requested. Failure of the carrier to respond should be reported to the seller and the carrier. Your freight claims should be filed promptly thereafter.

Damage occurring to the unit during installation is the responsibility of the installer and/or building contractor and damage occurring thereafter is the responsibility of the user.

Failure of any optional equipment is the sole responsibility of the equipment manufacturer except as provided above and shall not extend to or apply to any replacement parts for the Options and Accessories. Any replacement parts shall be covered by the original equipment manufacturer.

The Distributor or Dealer is responsible for knowing local code requirements and notifying the installing contractor and/or User of these requirements at the time of purchase. The Company is not responsible for costs to modify any product to obtain any code approval, such as city, county, or state building codes in U.S.A. or municipal or provincial codes in Canada.

**WARRANTY SERVICE**

For the customer's benefit, the Company maintains a list of independent service personnel to perform required warranty service repairs. Such firms are not agents or representatives of the Company and cannot bind the Company by words or conduct.

The Company will provide the warranty service described above when the following conditions have been met: the failure is of the nature or type covered by the warranty; the User has informed an Authorized Jacuzzi Luxury Bath Service Agent or Warranty Service Department Representative of the nature of the problem during the warranty period; conclusive evidence (e.g., proof of purchase or installation) is provided to the foregoing by the user proving that the failure occurred or was discovered within the warranty period; an authorized independent service person or Company representative has been permitted to inspect the unit during regular business hours within a reasonable time after the problem was reported by the User. In order to obtain warranty service, contact Jacuzzi Luxury Bath at:

jacuzzi.com  
or  
Warranty Service Department  
14525 Monte Vista Avenue  
Chino, California 91710  
Call: 1-(800) 288-4002

To obtain warranty replacement for factory-installed components for Company supplied options and accessories manufactured and supplied by the Company, call or write the above. Provide a description of the problem and proof of purchase. You will be instructed how to obtain replacements and where to return, at your expense, the failed component(s), option(s), or accessory(ies).

All replacement parts, equipment, and repairs shall assume the remaining warranty period of the part(s) replaced.

The Company's warranty obligation shall be discharged upon tender of replacement or repair. The customer's refusal to accept the tender terminates the Company's warranty obligation.



**WARRANTY  
REGISTRATION CARD**

To complete your product registration, visit our website at [www.jacuzzi.com](http://www.jacuzzi.com), or fill out and mail this card to the address printed on the other side within thirty (30) days from date of purchase in order for this warranty to be come effective.

Purchaser's Name \_\_\_\_\_  
 Purchaser's Address \_\_\_\_\_  
 City \_\_\_\_\_ State \_\_\_\_\_ Zip \_\_\_\_\_  
 Date of Purchase \_\_\_\_\_  
 Model Name \_\_\_\_\_  
 Serial Number \_\_\_\_\_  
 Dealer's Name \_\_\_\_\_  
 Dealer's Address \_\_\_\_\_

1. How did you first hear about this Jacuzzi® product?  
 Advertisement  Article in Magazine/Newspaper  
 Visited Dealer/Plumbing Supplier  Yellow Pages  
 Builder/Plumber/Remodeler  Decorator/Architect  
 Visited Retailer/Home Center Store  
 Word of Mouth... Friend/Relative/Acquaintance  
 Other (Please Describe) \_\_\_\_\_
2. Who first gave you specific information about this product (specifications, prices, etc.)?  
 Dealer/Plumbing Supplier  Builder  Remodeler  
 Plumbing Contractor  Retailer/Home Center Store  
 Decorator/Architect  Already installed
3. What was the main reason for purchase?  
 Styling  Warranty Service  Product Features  
 Brand Name  Price  Hydrotherapy  
 Home Resale  
 Other \_\_\_\_\_
4. Who finally decided which product you would buy?  
 Self  Spouse  Self and Spouse Together  
 Other Family Member  Designer/Architect  
 Builder/Plumber/Remodeler  Already installed  
 Who installed?  Already installed/New Home  
 Contractor/Plumber when remodeling  
 Self/Spouse when remodeling  
 Other \_\_\_\_\_
6. What is the current market value of this property?  
 Please estimate \$ \_\_\_\_\_
7. What is the age of the head of the household? \_\_\_\_\_ years  
 Eljer  Lasco  Price Pfister  Aqua Glass  
 Kohler  American Standard  Sterling  
 Other (Specify) \_\_\_\_\_
9. How long did you shop before purchasing unit?  
 1 day  2 months- 6 months  
 2-7 days  6 months- 1 year  
 1 week- 2 weeks  1 year- 2 years  
 2 weeks- 4 weeks  +2 years  
 1 month- 2 months
10. Approximately how long have you lived in this home? \_\_\_\_\_  
 hold.
11. Please indicate, approximately, the total annual income of your household.  
 Up to \$24,999  \$50,000 to \$74,999  
 \$25,000 to \$29,999  \$75,000 to \$99,999  
 \$30,000 to \$39,999  \$100,000 to \$149,999  
 \$40,000 to \$49,999  \$150,000 and Above
12. Was your purchase process?  
 Very easy  Easy  Difficult  Very Difficult  
 prior to your purchase?  
 Not aware  Somewhat aware  Very aware

Ninety-Day Parts Only Limited Warranty On Accessory(ies)	Ninety-Day Parts Only Limited Warranty On Accessory(ies)
---	---





**SERIE DE BAÑERAS  
LUXURY WHIRLPOOL®**

## **INSTRUCCIONES PARA LA INSTALACIÓN Y EL FUNCIONAMIENTO**

**Jacuzzi® Luxury Bath**

14525 Monte Vista Avenue  
Chino, CA 91710  
1-800-288-4002  
[www.jacuzzi.com](http://www.jacuzzi.com)



**Contenido**

Contenido.....	27
Información del producto.....	27
Instrucciones de seguridad.....	28
Instrucciones de seguridad operacional.....	29
Inspección y prueba.....	30
Estructura.....	31
Material específico Fuzion™.....	33
Conexiones eléctricas.....	35
Instalación empotrada.....	37
Instalación de montaje bajo cubierta.....	39
Limpieza.....	39
Información general sobre el funcionamiento.....	40
Funcionamiento Whirlpool.....	42
Control de la dirección y del flujo Whirlpool.....	42
Purga del sistema Whirlpool.....	43
Aditivos para baño.....	43
Mantenimiento.....	44
Procedimientos para la resolución de problemas.....	45
Servicio técnico autorizado.....	46
Garantía.....	47

**Información del producto**

Conserve estas instrucciones para uso futuro. Utilice el formulario a continuación para registrar su modelo y número de serie para referencia futura.

Fecha de la compra \_\_\_\_\_

Comprado a \_\_\_\_\_

Instalado por \_\_\_\_\_

Número de serie \_\_\_\_\_

Modelo \_\_\_\_\_

**Instalador:** Deje el manual para el propietario.

**Propietario:** Lea este manual y consérvelo para referencia futura.

## Instrucciones de seguridad

INSTRUCCIONES RELATIVAS A RIESGOS DE INCENDIO, DESCARGAS ELÉCTRICAS O LESIONES A PERSONAS.

Éste es un producto de calidad profesional. Se requieren conocimientos de técnicas de construcción, fontanería e instalación eléctrica conforme a los códigos para la instalación apropiada y la satisfacción del usuario. Recomendamos que un contratista matriculado realice la instalación de todos los productos Jacuzzi® Luxury Bath. Nuestra garantía no cubre problemas relacionados con instalaciones inadecuadas.



**PRECAUCIÓN:** AL UTILIZAR ESTA UNIDAD, SIEMPRE DEBE TOMAR LAS PRECAUCIONES BÁSICAS, QUE INCLUYEN LO SIGUIENTE:

- **LEA Y SIGA TODAS LAS INSTRUCCIONES. CONSERVE ESTAS INSTRUCCIONES.**
- Utilice esta unidad sólo para el fin para el cual fue diseñada, según se describe en este manual. No utilice accesorios que no están recomendados por el fabricante.
- Nunca deje caer ni introduzca objetos en ninguna de las aberturas.



**ADVERTENCIA: RIESGO DE LESIONES ACCIDENTALES O AHOGAMIENTO.**

No permita que los niños utilicen esta unidad a menos que sean supervisados atentamente en todo momento. No utilice la bañera de hidromasaje a menos que todas las tapas protectoras de succión estén instaladas para evitar que el cabello o partes del cuerpo queden atrapados. Nunca utilice la bañera de hidromasaje si la tapa protectora de succión está rota, dañada o extraviada.



**PELIGRO: RIESGO DE LESIONES GRAVES POR DESCARGA ELÉCTRICA O MUERTE POR ELECTROCUCIÓN**

Esta unidad se debe conectar solamente a un circuito de suministro que esté protegido por un interruptor de circuito con detección de falla a tierra (GFCI, por su sigla en inglés) de 15 A. Dicho GFCI debe ser suministrado por el instalador y debe ser puesto a prueba habitualmente. Para probar el GFCI, pulse el botón de prueba. El GFCI debería interrumpir la alimentación. Pulse el botón de restablecimiento. La alimentación debería restablecerse. Si el GFCI no funciona de esta manera, el GFCI está defectuoso. Si el GFCI interrumpe la alimentación hacia la bañera sin que se pulse el botón de prueba, un flujo de corriente de retorno por tierra está indicando la posibilidad de una descarga eléctrica. No utilice esta bañera de hidromasaje. Desconecte la bañera de hidromasaje y haga corregir el problema por un representante calificado del servicio técnico antes de usarla.



**ADVERTENCIA: RIESGO DE DESCARGA ELÉCTRICA**

Realice la conexión solamente a un circuito protegido por un interruptor de circuito con detección de falla a tierra (GFCI). (Para unidades conectadas permanentemente) Hay un terminal de color verde (o un conector de cable) marcado como "G", "GR", "GROUND" o "GROUNDING" dentro del compartimiento del terminal. Para reducir el riesgo de descarga eléctrica, conecte el terminal o el conector al terminal a tierra de su servicio eléctrico o panel de alimentación con un conductor de igual tamaño a los conductores del circuito que alimentan el equipo.



**PRECAUCIÓN:** Este equipo está previsto para uso en interiores solamente. Instale el equipo conforme a estas instrucciones. Utilice los cables de alimentación adecuados para 167 °F (75 °C), incluido el índice de temperatura de los conductores de alimentación que se van a utilizar. Esta unidad debe conectarse eléctricamente a tierra, y debe instalarse un contratista, electricista o fontanero matriculado. Los materiales de construcción y el cableado deben direccionarse lejos del motor/bomba o del generador de burbujas de aire, o de otros componentes de producción de calor de esta unidad. En el exterior del motor/bomba y del calentador, se proporciona un conector de cable de presión para facilitar la conexión de un conductor de unión de cobre sólido N.º 8 AWG entre esta unidad y todos los otros equipos eléctricos y los metales expuestos próximos, según sea necesario para cumplir con los requerimientos locales.











## Instrucciones importantes de seguridad de la Asociación de Normas Canadienses (sólo para modelos canadienses)



Cuando utilice este equipo eléctrico, siempre debe tomar las precauciones de seguridad básicas, que incluyen las siguientes:

1. **ADVERTENCIA: RIESGO DE LESIONES ACCIDENTALES O AHOGAMIENTO. LOS NIÑOS NO DEBEN UTILIZAR BAÑERAS DE HIDROMASAJE SIN LA SUPERVISIÓN DE UN ADULTO. BAÑERA DE HIDROMASAJE CON CALENTADOR.**
2. **ADVERTENCIA: RIESGO DE LESIONES ACCIDENTALES O AHOGAMIENTO. NO UTILICE LA BAÑERA DE HIDROMASAJE A MENOS QUE TODAS LAS TAPAS PROTECTORAS DE SUCCIÓN ESTÉN INSTALADAS PARA EVITAR QUE EL CABELLO O PARTES DEL CUERPO QUEDEN ATRAPADOS.**
3. **ADVERTENCIA: PARA EVITAR LESIONES, TENGA CUIDADO AL ENTRAR O SALIR DE LA BAÑERA DE HIDROMASAJE.**
4. **ADVERTENCIA: RIESGO DE LESIONES ACCIDENTALES O AHOGAMIENTO. NO UTILICE DROGAS O ALCOHOL ANTES O DURANTE LA UTILIZACIÓN DE UNA BAÑERA DE HIDROMASAJE CON CALENTADOR PARA EVITAR LA PÉRDIDA DEL CONOCIMIENTO Y UN POSIBLE AHOGAMIENTO.**
5. **ADVERTENCIA: RIESGO DE LESIÓN FETAL. LAS MUJERES EMBARAZADAS O CON POSIBILIDAD DE EMBARAZO DEBEN CONSULTAR A UN MÉDICO ANTES DE UTILIZAR UNA BAÑERA DE HIDROMASAJE CON CALENTADOR.**
6. **ADVERTENCIA: RIESGO DE HIPERTEMIAS Y POSIBLE AHOGAMIENTO: NO UTILICE UNA BAÑERA DE HIDROMASAJE CON CALENTADOR INMEDIATAMENTE DESPUÉS DE REALIZAR EJERCICIOS FÍSICOS EXTENUANTES.**
7. **CONSERVE ESTAS INSTRUCCIONES.**

**Instrucciones de seguridad operacional**

-  **ADVERTENCIA:** **RIESGO DE HIPERTERMIA Y POSIBLE AHOGAMIENTO!**  
 No utilice una bañera de hidromasaje con calentador inmediatamente después de realizar ejercicios físicos extenuantes.
  
-  **ADVERTENCIA:** **RIESGO DE DESCARGA ELÉCTRICA**
  - No utilice electrodomésticos como secadores de pelo, lámparas, teléfonos, radios o televisores dentro de un radio de 60 pulgadas (1524 mm) de esta bañera de hidromasaje.
  - No ponga en funcionamiento el sistema de hidromasaje a menos que la bañera tenga un nivel de agua de, al menos, 1 a 2 pulgadas (de 25 a 51 mm) por encima del orificio de aire más alto.
  - No sumerja el panel de control llenando en exceso la bañera.
  - No utilice sustancias abrasivas para limpiar su bañera, ya que pueden dañar la superficie.
  - Para evitar la decoloración del acabado acrílico, no llene la bañera con agua a más de 140 °F (60 °C).
  
-  **ADVERTENCIA:** **LA INMERSIÓN PROLONGADA EN AGUA CALIENTE PUEDE CAUSAR HIPERTERMIA**  
 La hipertermia ocurre cuando la temperatura interna del cuerpo alcanza un nivel superior a la temperatura corporal normal de 98,6 °F (37 °C). Los síntomas de la hipertermia incluyen el aumento de la temperatura corporal interna, mareos, aletargamiento, somnolencia y desvanecimiento. Los efectos de la hipertermia incluyen los siguientes:
  - A. Incapacidad para percibir el calor.
  - B. Incapacidad para reconocer la necesidad de salir de la bañera.
  - C. Desconocimiento de un peligro inminente.
  - D. Daño fetal en mujeres embarazadas.
  - E. Incapacidad física para salir de la bañera.
  - F. PÉRDIDA DEL CONOCIMIENTO CON PELIGRO DE AHOGAMIENTO.
  
-  **ADVERTENCIA:** **RIESGO DE LESIÓN FETAL**  
 LAS MUJERES EMBARAZADAS O CON POSIBILIDAD DE EMBARAZO DEBEN CONSULTAR A UN MÉDICO ANTES DE UTILIZAR UNA BAÑERA DE HIDROMASAJE CON CALENTADOR.
  
-  **ADVERTENCIA:** El uso de alcohol, drogas o medicamentos puede aumentar en gran medida el riesgo de hipertermia fatal. Las personas que tomen medicamentos o tengan una historia clínica desfavorable deben consultar a un médico antes de utilizar una bañera de hidromasaje con calentador.
  
-  **ADVERTENCIA:** NO ALTERE LOS CONTROLES OPERADOS POR EL USUARIO NI LOS DISPOSITIVOS SEMEJANTES.
  
-  **ADVERTENCIA:** UTILICE ESTA UNIDAD SÓLO PARA EL FIN PARA EL CUAL FUE DISEÑADA, SEGÚN SE DESCRIBE EN ESTE MANUAL. NO UTILICE ACCESORIOS QUE NO ESTÁN RECOMENDADOS POR LOS FABRICANTES.
  
-  **ADVERTENCIA:** PARA EVITAR LESIONES, TENGA CUIDADO AL ENTRAR Y AL SALIR DE LA BAÑERA DE HIDROMASAJE.
  
-  **ADVERTENCIA:** No utilice la bañera de hidromasaje a menos que todas las tapas protectoras de succión estén instaladas para evitar que el cabello o partes del cuerpo queden atrapados. Nunca utilice la bañera de hidromasaje si la tapa protectora de succión está rota, dañada o extraviada.
  
-  **ADVERTENCIA:** La temperatura del agua que excede los 104 °F (40 °C) puede resultar perjudicial para su salud. Controle y regule la temperatura del agua antes de utilizar la bañera.
  
-  **PRECAUCIÓN:** Controle el interruptor de circuito con detección de falla a tierra que protege este dispositivo de forma periódica conforme a las instrucciones del fabricante.
  
-  **IMPORTANT:** LEA LAS INSTRUCCIONES COMPLETAS PROPORCIONADAS EN ESTE MANUAL ANTES DE COMENZAR LA INSTALACIÓN.

La empresa ha obtenido los listados de los códigos (normas) aplicables que suelen estar disponibles a nivel nacional para productos de este tipo. Es responsabilidad del instalador o propietario determinar el cumplimiento de los códigos locales específicos antes de instalar el producto. La empresa no realiza manifestaciones ni ofrece garantías con respecto al cumplimiento de ningún código, ni será responsable de dicho cumplimiento. Las especificaciones del producto están sujetas a cambio sin previo aviso.

## Inspección y prueba

### Inspección visual

- 1 Retire la bañera de la caja de envío. Tenga cuidado de no rayar la superficie de la bañera con las grapas expuestas. Retire las grampas o pliéguelas hacia el interior de la caja. Conserve la caja hasta que la inspección del producto haya sido satisfactoria. Nunca levante la bañera sujetándola por la fontanería; solo hágalo por el almacén.
- 2 Inspeccione el almacén y los componentes de la bañera. En caso de que la inspección revele cualquier daño o defecto en el acabado o daño visible en los componentes, no instale la bañera. Los daños o defectos en el acabado reclamados después de la instalación de la bañera están excluidos de la garantía. La responsabilidad de Jacuzzi Luxury Bath por daños durante el transporte finaliza contra entrega de los productos en buen estado al transportista.
- 3 Presente sus reclamos por daños al transportista. Para conocer los términos de la cobertura y las limitaciones de la garantía, consulte la información publicada sobre la garantía embalada con el producto o al dorso de este manual.

### Verificación del funcionamiento y del agua de la bañera

El funcionamiento apropiado de todas las unidades y el buen estado de las conexiones herméticas son probados en fábrica antes del envío. No obstante, el instalador debe examinar la unidad nuevamente antes de la instalación. Jacuzzi Luxury Bath no se hace responsable de ningún defecto que pudiera haberse descubierto, reparado o evitado de haberse seguido este procedimiento de inspección y prueba:

- 1 Coloque la bañera sobre una superficie nivelada, cerca de un suministro eléctrico, suministro de agua y drenaje de agua adecuados. Una vía de acceso es una opción adecuada.
- 2 Selle el orificio de drenaje y de desborde con una cinta o un tapón y llene la bañera hasta la base del orificio de desborde.
- 3 Permita que el agua de la bañera repose por 5 minutos.
- 4 Conecte el motor/la bomba y encienda la unidad. Confirme que todas las características funcionen según se describe en la sección de Funcionamiento de este manual. No instale la bañera si no funciona como se describe.
- 5 Inspeccione visualmente todas las uniones para ver si existen pérdidas. No instale la bañera si se detectan pérdidas.
- 6 Vuelva a colocar la bañera en la caja o de lo contrario protéjala de daños hasta el momento de la instalación.

## Estructura

Se ha incluido un Manual de especificaciones técnicas con su bañera. El Manual de especificaciones técnicas incluirá la información importante relacionada a su producto Jacuzzi Luxury Bath. Haga uso del Manual de especificaciones técnicas en este momento.

- Las dimensiones proporcionadas en los diagramas de instalación son nominales. Tome las medidas de su unidad al recibirla y construya conforme a las dimensiones reales.
- La estructura del piso debajo de la bañera debe poder soportar el peso total de la bañera, el agua y el ocupante.
- La bañera debe estar apoyada sobre su base, no sobre su borde. En el caso de instalaciones empotradas, tenga en cuenta el espesor del material de recubrimiento y del material de acabado (mármol, azulejo, etc.).
- Asegúrese de que el borde descansa en una superficie nivelada.
- Por norma, se debe facilitar el acceso al motor/ la bomba de su modelo específico. Las ubicaciones principales y secundarias de acceso al servicio se muestran en los diagramas de instalación incluidos en el Manual de especificaciones técnicas. La Figura 1 muestra las ubicaciones comunes de acceso.



Es responsabilidad del instalador, el contratista de obra o el propietario proporcionar el acceso al servicio. Jacuzzi no se responsabiliza de ninguno de los costos relacionados con la obtención de accesos para efectuar reparaciones. El propietario debe soportar dichos costos y, si es apropiado, debe solicitar el reintegro del instalador.

- Provea una ventilación apropiada para el enfriamiento y un suministro de aire suficiente para el motor/la bomba. No coloque aislamiento alrededor del equipo.
- La bañera puede tener piezas del motor/la bomba que se prolongan más allá del borde de la bañera. Consulte los diagramas de instalación incluidos en el paquete de la garantía y la estructura para la construcción para ubicarla de forma correcta.

### Ubicaciones comunes de acceso

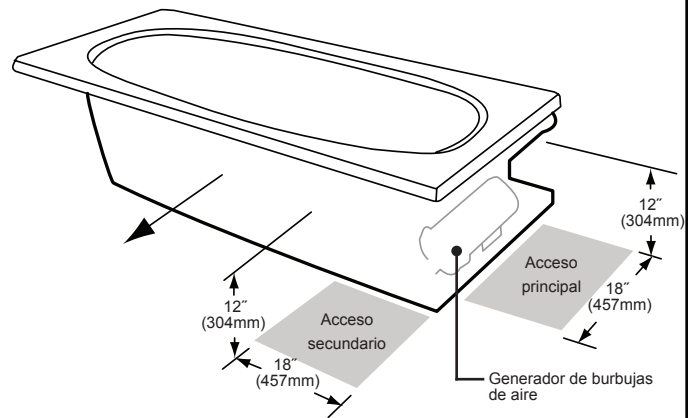
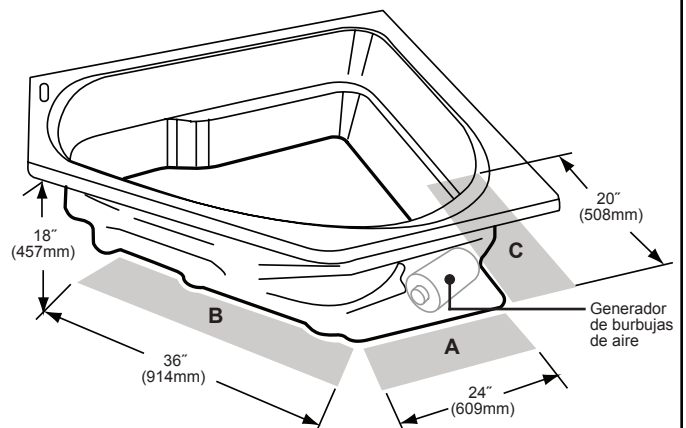


Figura 1



- A** = Acceso principal
- B** = Alternativa aceptable en caso de que el acceso **A** no sea posible
- C** = Acceso secundario para el equipo (opcional)



El acceso a la unidad por la izquierda se encuentra en el lado opuesto (en espejo).

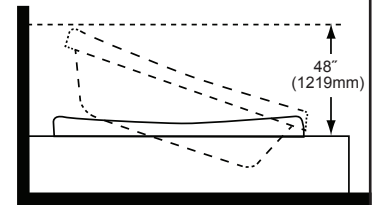
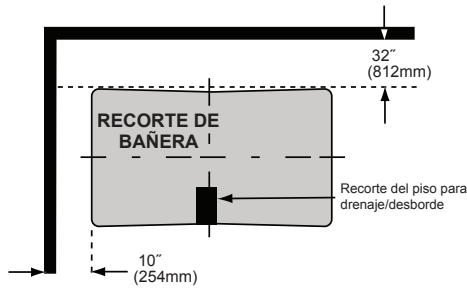
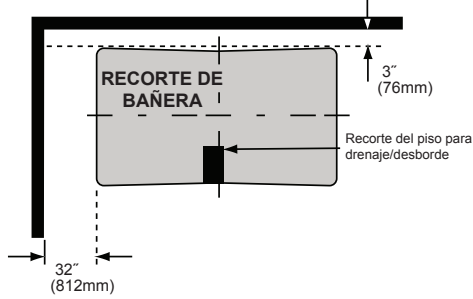
Figura 2

### Estructura (continuación)

- Para asegurarse de que el instalador tenga espacio suficiente para maniobrar e instalar la bañera, deje un espacio libre respecto a la pared y el cielorraso (Figura 3).

#### Ejemplos de espacio libre

##### Instalación entre dos paredes



##### Instalación entre tres paredes

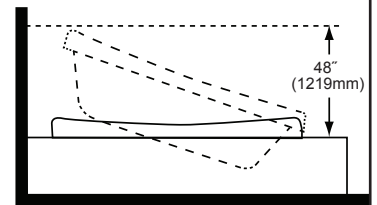
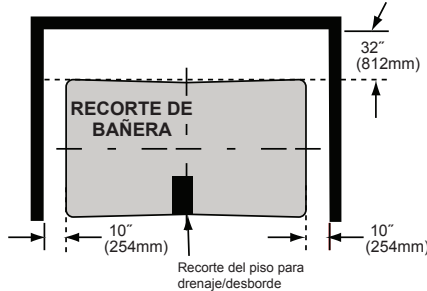
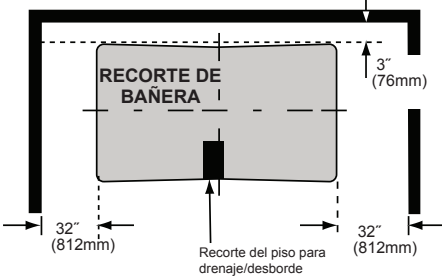


Figura 3

### Contrapiso

Prepare el contrapiso para el drenaje y asegúrese de que el área esté nivelada.

- 1 El drenaje/desborde de la bañera se extiende por debajo de la parte inferior de ésta. Identifique la ilustración que corresponde a su bañera en el Manual de especificaciones técnicas.
- 2 Realice los cortes adecuados en el contrapiso para ubicar el drenaje.
- 3 La base Tru-Level™ de Jacuzzi es una característica estándar en todas las bañeras. Si el contrapiso está nivelado y tiene una superficie continua, no es necesario realizar otra preparación. Vaya a la sección "Instalación".
- 4 Si el contrapiso no está nivelado, debe nivelar toda la superficie antes de instalar la bañera. Los materiales utilizados asegurarán que la bañera esté sostenida desde la parte inferior. Estos materiales incluyen: compuesto de nivelación, mortero, yeso o espuma estructural de mínima expansión (con una densidad de un mínimo de 5 lb/pie cúbico). La bañera debe permanecer nivelada para que pueda drenar adecuadamente, y debe hacer contacto con el material de nivelación. Ambos lados de la unión o el empalme del contrapiso deben estar nivelados.



## Material específico de Fuzion™

Las características de diseño adicionales de Fuzion™ requieren que se completen los siguientes pasos antes de instalar la bañera en el recubrimiento construido. Los pasos siguientes además deben completarse en el orden especificado:

- Instalación del desagüe/desborde Fuzion™
- Instalación del marco de madera Fuzion™
- Instalación del panel de control Fuzion™

## Instalación del grifo Fuzion™



Selección de un grifo para el montaje en el borde de la bañera: El espesor combinado del borde del armazón de la bañera y la plataforma opcional de madera es de 2" (50 mm) nominales. La longitud del/de los apéndice/s del grifo debe ser lo suficientemente extensa para superar esta dimensión y tener espacio suficiente para ensamblar cualquier herraje (es decir, contratuerca, accesorios para el suministro de agua, etc.) necesario para la instalación. Para las unidades de montaje bajo cubierta, el espesor combinado de la carcasa de la bañera es de un valor nominal de 1/2" (12 mm), y la plataforma de montaje bajo cubierta no debe superar la longitud del/de los apéndice/s, incluidos los herrajes para montaje.

## Instalación del drenaje/desborde Fuzion™



Montaje conforme a los códigos de fontanería y de construcción locales.

- 1 Identifique el equipo de drenaje de desbordes proporcionado con su bañera. Retire y abra el conjunto de desbordes y confirme que se encuentren todas las partes.
- 2 Extraiga las arandelas y las tuercas del accesorio de desborde.
- 3 Coloque una pequeña cantidad de masilla de fontanería, silicona o un sellador similar autorizado alrededor de la base del ala superior del accesorio de desborde.
- 4 Coloque el accesorio de desborde en el orificio de desborde de la bañera (Figura 4).
- 5 Desde la parte inferior de la unidad, coloque la arandela de goma, luego ajuste la contratuerca en el accesorio de desborde y apriete para que quede asegurado. Tenga cuidado de no apretar demasiado.
- 6 Arme las piezas restantes de drenaje como se muestra en la ilustración.
- 7 Luego de que el drenaje esté completamente instalado, pruébelo para controlar que el drenaje sea apropiado. Si la unidad no drena adecuadamente, corrija esta condición antes de continuar con la instalación de la bañera.



La instalación hermética del drenaje y el sistema contra desbordes es responsabilidad del instalador. La pérdida del drenaje no está incluida en la garantía Jacuzzi Luxury Bath de este producto.



OPCIONAL – Si el marco de madera Fuzion™ no se utiliza, continúe con el Paso 2 en la sección de Instalación de montaje bajo cubierta.

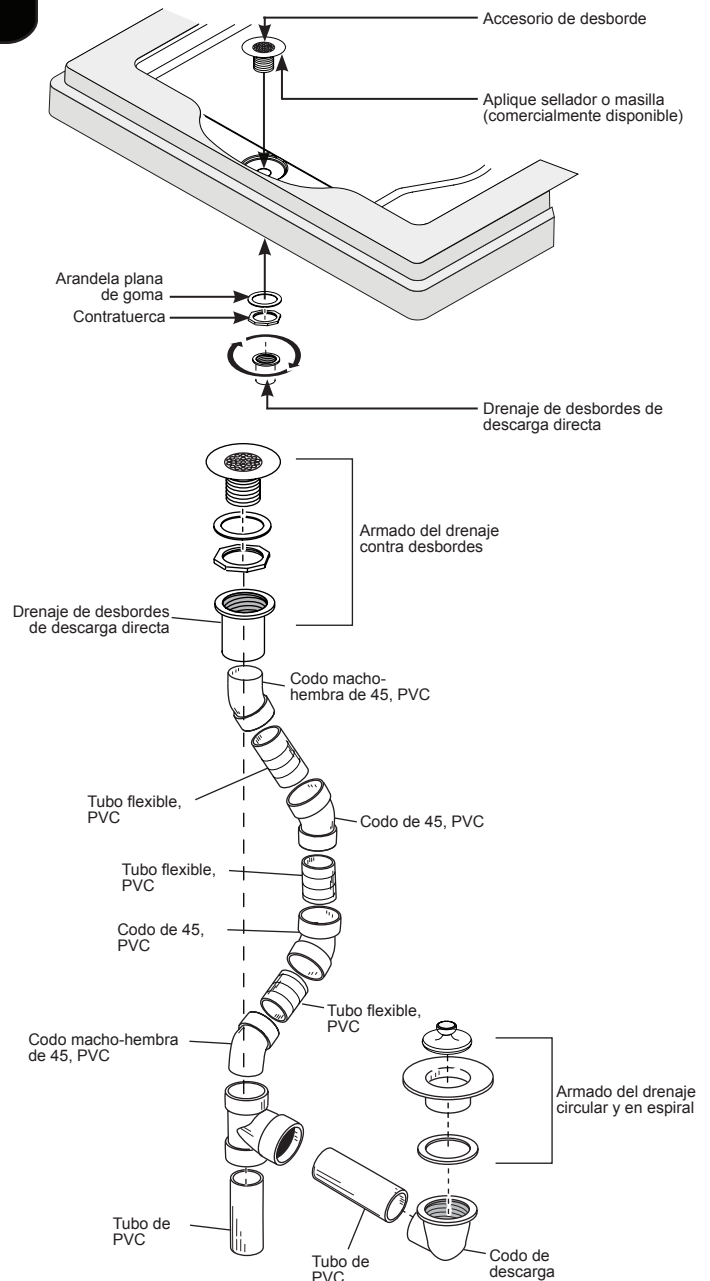


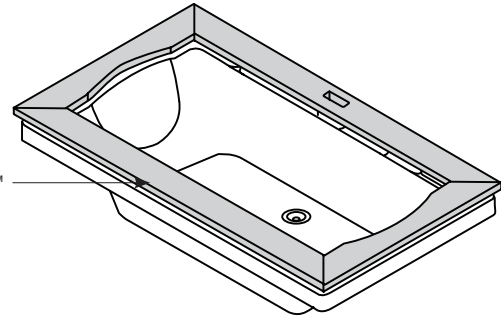
Figura 4. Instalación del sistema contra desbordes

## Instalación del marco Fuzion™



Si está instalando una bañera Fuzion™ con un marco accesorio, consulte la Guía de instalación del marco Fuzion™ (#GL44000) antes de continuar. Complete los pasos de armado e instalación conforme a la Guía de instalación del marco Fuzion™.

Marco Fuzion™



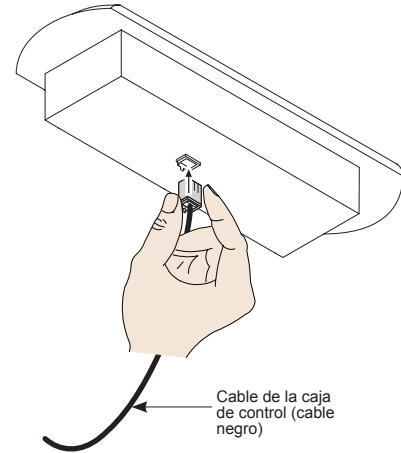
## Instalación del panel de control Fuzion™



Los siguientes recortes deben estar limpios y libres de suciedad o adhesivos. :

- Recorte del panel de control en el marco de madera armado
- Recorte del panel de control en la encimera armada
- Recorte del panel de control en la bañera

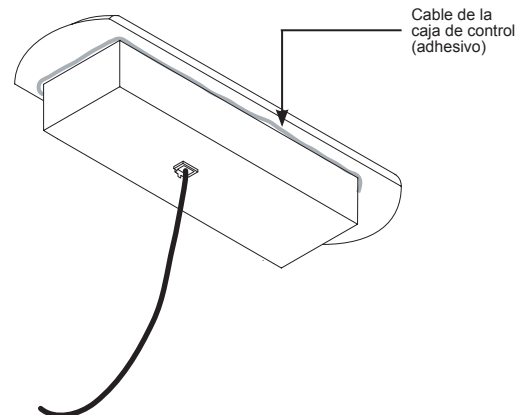
**1** Inserte el conector de cable en la parte posterior del panel de control (Figura 5).



Cable de la caja de control (cable negro)

Figura 5. Panel de control

**2** Aplique una pequeña cantidad de adhesivo alrededor de la base del panel de control (Figura 6).



Cable de la caja de control (adhesivo)

Figura 6. Aplicación del adhesivo

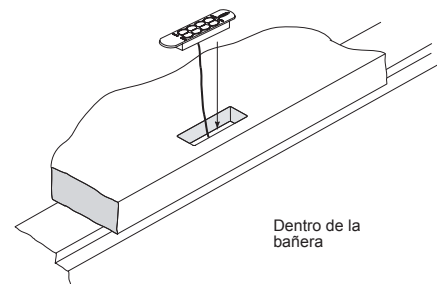
**3** Pase el cable por el recorte y hacia la caja de control.

**4** el panel de control de la siguiente manera: el logotipo estará en el lado derecho del panel de control J4 cuando usted esté sentado en la bañera (el botón de encendido estará a la derecha del panel de control de LCD J5).

**5** Baje el panel de control hacia el recorte y presione con firmeza para incrustar el adhesivo (Figura 7).

**6** Conecte el cable con la caja de control.

**7** Vaya al Paso 3 en la sección de Instalación empotrada.

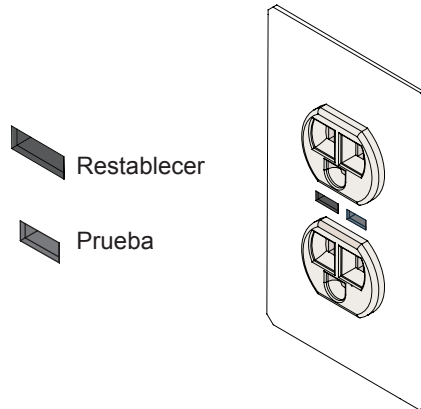


Dentro de la bañera

Figura 7. Panel de control

## Conexiones eléctricas

- Riesgo de descarga eléctrica.** Realice la conexión solo a un circuito protegido por un GFCI.
- Al utilizar productos eléctricos, siempre debe tomar las siguientes precauciones básicas:**
  - Siempre siga los códigos para el sistema eléctrico y de construcción locales.
  - Es necesario una conexión a tierra. La unidad debe ser instalada y conectada a tierra por un electricista calificado.



Se necesitan dos circuitos independientes protegidos por un GFCI.

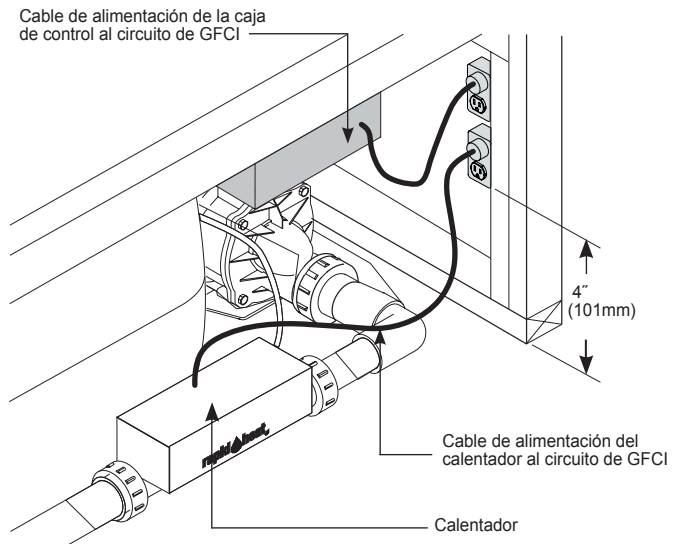
Se requiere un circuito independiente protegido con un GFCI de 120 VAC, 15 A, para el motor/la bomba.

Se requiere un circuito independiente protegido con un GFCI de 120 VAC, 15 A, para el calentador.

- Riesgo de calentamiento excesivo de los componentes.** No utilice el prolongador eléctrico para suministrar corriente a esta unidad.
- El funcionamiento del motor/la bomba sin la cantidad de agua suficiente en la bañera puede provocar pérdidas y daño permanente.**
- En la puesta en marcha inicial, el sistema de control electrónico de 7 botones introduce un programa de autodiagnóstico automático durante 15 a 20 segundos. Durante el programa de diagnóstico, el sistema no aceptará comandos del usuario.**

## Motor/la bomba y calentador

- 1** Para el motor/la bomba, instale una toma doble con GFCI de 120 VAC, 20 A en la pared de entramado por debajo de la bañera 4" (101 mm) sobre el piso. No se incluye la toma doble.
- La toma doble debe instalarse 4" (101 mm) por encima de la línea del piso o de acuerdo con los códigos eléctricos y de construcción locales.
- 2** Utilice un alambre de cobre sólido N.º 8 para conectar a tierra el motor de la bomba a la caja de distribución eléctrica de la casa o a una conexión local aprobada. Se proporciona un terminal de toma a tierra en el motor de la bomba.
- 3** Para el calentador, instale una toma simple con GFCI con capacidad NOMINAL de 15 VAC, 20 A en la pared de entramado por debajo de la bañera 4" (101 mm) sobre el piso. No se incluye la toma simple.
- 4** Con un alambre de cobre sólido N.º 8, conecte a tierra el calentador a la caja de distribución eléctrica de la casa o unión local aprobada. Se proporciona un terminal de puesta a tierra en el calentador.
- 5** En la puesta en marcha inicial, y antes de cada uso posterior con la alimentación activada, oprima el botón de prueba de GFCI. El botón de restablecimiento debe saltar hacia afuera.



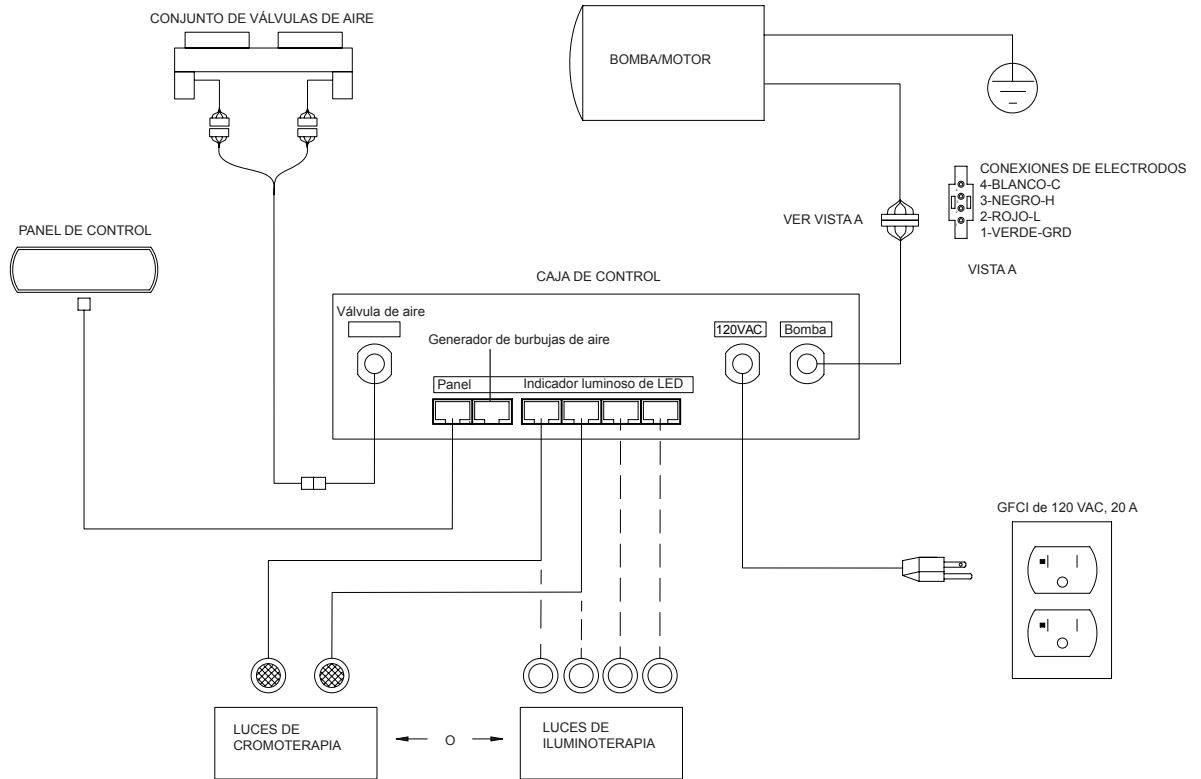
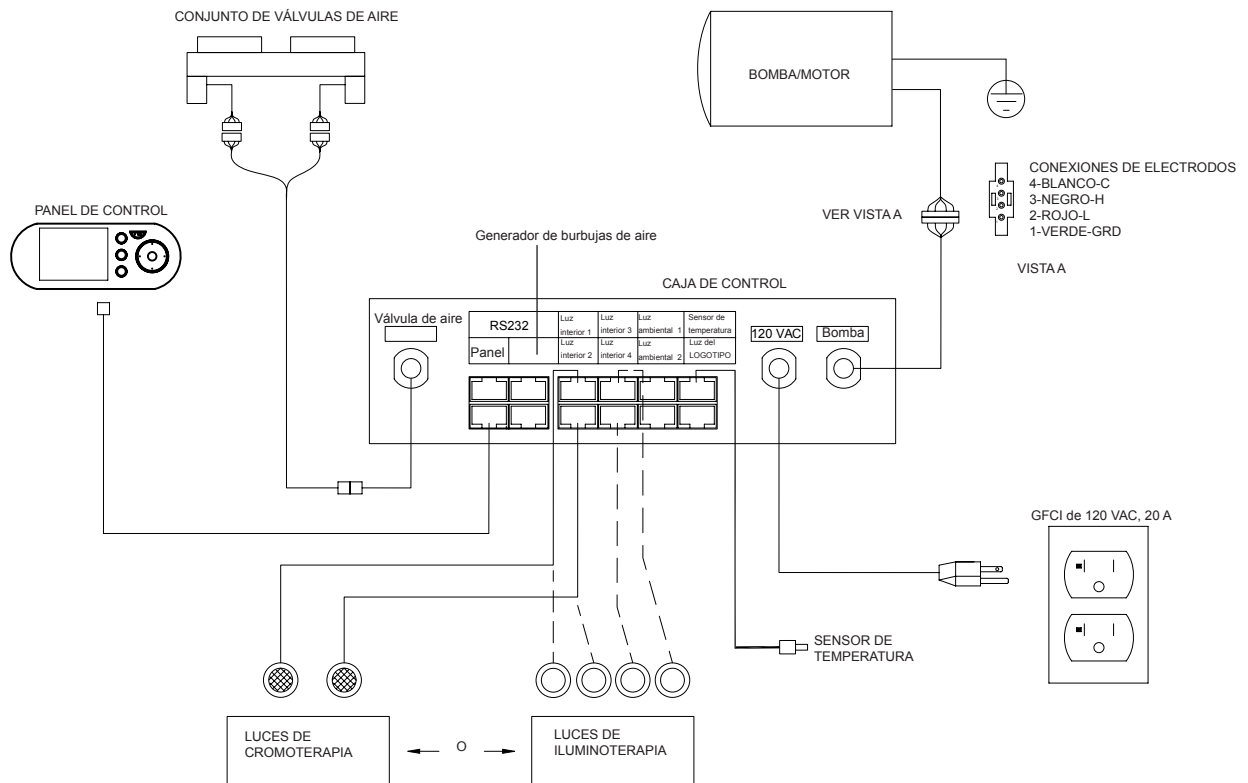
- Oprima este botón para restablecer. Si el interruptor no funciona de esta manera, existe una avería en el flujo de corriente de retorno por tierra o en el dispositivo, que indica la posibilidad de una descarga eléctrica.
- Desconecte la alimentación y no utilice la bañera hasta haber identificado y corregido el origen del problema.

**Ilustraciones de referencia**


Estas ilustraciones son sólo de referencia, dado que la unidad viene completamente armada.



Riesgo de descarga eléctrica. Antes de reparar estas conexiones, desconecte todos los cables de suministro de energía de ambos servicios de 120 VAC.

**Diagrama esquemático del panel de control J4**

**Diagrama esquemático del panel de control J5**


## Instalación empotrada



Antes de que comience con la instalación, lea lo siguiente:

- Respete todos los códigos locales y de construcción.
- Defina las herramientas que va a utilizar durante la instalación.
- Las piezas adicionales de drenaje de la bañera y fontanería están comercialmente disponibles en las tiendas de instalaciones sanitarias y ferreterías.
- La información para la instalación del drenaje/desborde está incluida con su bañera en el Manual de instrucciones de instalación.

Finalice la instalación del recubrimiento de la bañera (Figura 8).

**1**

Instale el drenaje/desborde conforme a las instrucciones del fabricante. Consulte también el Manual de especificaciones técnicas.



La instalación impermeable del drenaje es responsabilidad del instalador. La pérdida del drenaje no está incluida en la garantía Jacuzzi Luxury Bath de este producto.

**2**

Instale el grifo en este momento. Se recomienda que el grifo sea instalado por un plomero calificado.



La instalación adecuada de las tuberías de descarga y el cumplimiento de los códigos locales son responsabilidad del instalador. Jacuzzi Luxury Bath no garantiza las conexiones de las tuberías ni los accesorios para el suministro de agua, los sistemas de llenado o los sistemas de drenaje/desborde. Tampoco se responsabiliza de los daños ocasionados a la bañera que puedan ocurrir durante la instalación.



Se debe colocar una barrera protectora no inflamable entre el trabajo de soldadura y la bañera para evitar daños en la unidad.

**3**

Prepare el orificio de recorte para la bañera; utilice la plantilla de tamaño natural proporcionada o las dimensiones de recorte enumeradas en la tabla de especificaciones del Manual de especificaciones técnicas.



La plantilla puede mostrar las pautas para más de una bañera; asegúrese de seleccionar los lineamientos apropiados. Si considera el montaje bajo cubierta como una opción, procure seleccionar los lineamientos que se aplican a la instalación que está realizando.

**4**

Finalice todo el trabajo de terminación de la plataforma y la cubierta para evitar daños mientras coloca la bañera.

**5**

El aislamiento se puede colocar dentro del recubrimiento de la bañera.



Procure una ventilación adecuada alrededor del motor/la bomba para asegurar el suficiente flujo de aire y enfriamiento.

**6**

Desconecte el suministro de energía hacia los circuitos especializados protegidos con GFCI.

**7**

Coloque trozos de madera para desecho en cada una de las terminaciones del recorte; esto se utilizará como un soporte temporario antes de bajar la bañera completamente en la abertura (Figura 9).

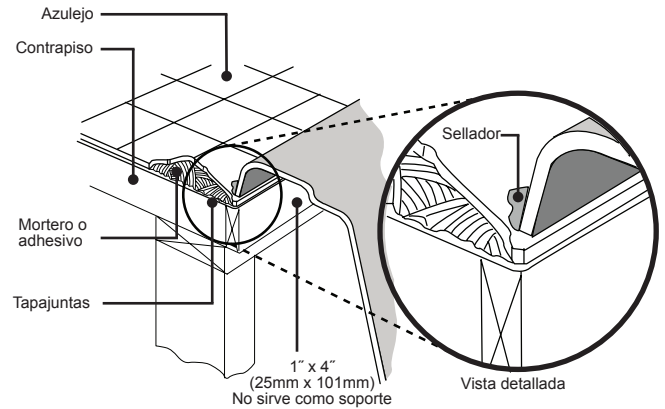


Figura 8

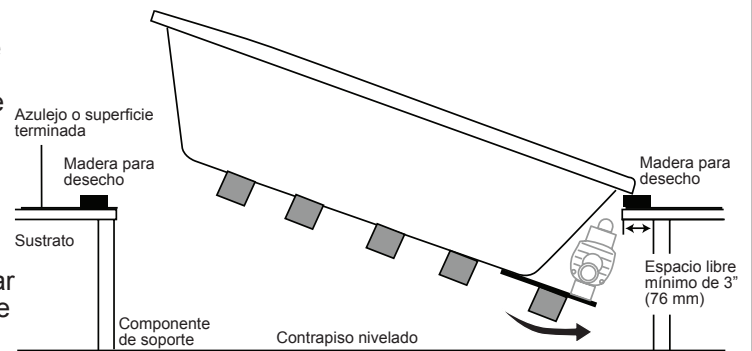


Figura 9

## Instalación empotrada (continuación)

- 8** Instale la unidad, introduciendo primero el extremo del motor/la bomba y bajando la bañera dentro de la apertura como se muestra en la ilustración (Figura 10).

**⚠** NO utilice tuberías ni accesorios de fontanería para bajar la unidad. Permita que la bañera descanse sobre los soportes.

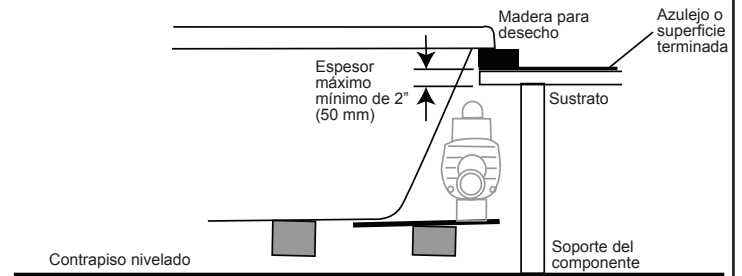


Figura 10

- 9** Examine todos los accesorios, las instalaciones de fontanería y las líneas de control luego de insertar la bañera para asegurar que los componentes no estén dañados, desconectados o en contacto con el sustrato de la superficie terminada o con los componentes de soporte.

- 10** Conecte las tuberías flexibles de suministro de agua al grifo y enchufe los cables de alimentación en las tomas del GFCI.

- 11** Quite los trozos de madera para desecho y baje la bañera completamente dentro de la abertura (Figuras 11 y 12).

- 12** Encuadre la bañera y conecte el drenaje.

- 13** Encienda el suministro de energía para los circuitos especializados protegidos con GFCI y compruebe el funcionamiento del sistema.

- 14** Aplique masilla alrededor del perímetro de la bañera para sellar el espacio entre el borde y la plataforma terminada.

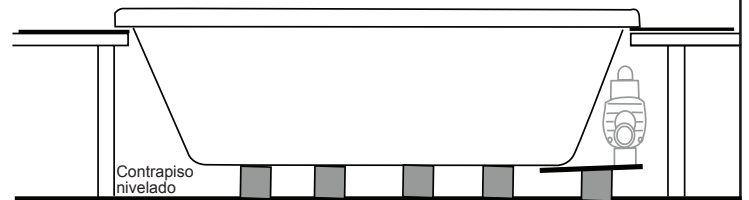


Figura 11

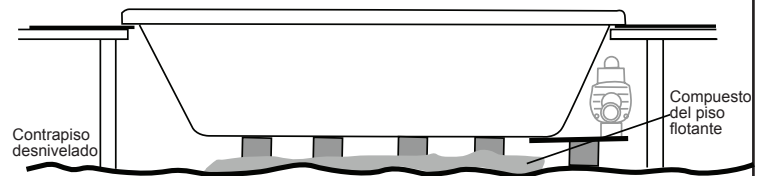


Figura 12

## Instalación de montaje bajo cubierta

**1** Instale el drenaje/desborde conforme a las instrucciones del fabricante.

**!** La instalación impermeable del drenaje es responsabilidad del instalador. La pérdida del drenaje no está incluida en la garantía Jacuzzi Luxury Bath de este producto.

**2** Desconecte el suministro de energía hacia los circuitos especializados protegidos con GFCI.

**3** Instale la unidad en la ubicación deseada. NO utilice tuberías ni accesorios de fontanería para transportar o bajar la unidad.

**4** Inspeccione todos los accesorios, las instalaciones de fontanería y las líneas de control luego de colocar la bañera para verificar que ninguno de los componentes esté dañado o desconectado.

**5** Encadre la bañera y conecte el drenaje.

**6** El aislamiento se puede colocar dentro del recubrimiento de la bañera.

**!** Procure una ventilación adecuada alrededor del motor/ la bomba para asegurar el suficiente flujo de aire y enfriamiento.

**7** Corte la plataforma/encimera para que calce utilizando la plantilla de montaje bajo cubierta que viene con la unidad de la siguiente manera:

- Ubique la plantilla de modo que las guías deseadas de montaje bajo cubierta estén alineadas con el borde tal como se muestra (Figura 13).

- Con un lápiz litográfico, marque las líneas del centro (indicadas con **A** en la plantilla). Quite la plantilla.

- Mida la distancia desde la pared u otro punto fijo hasta las líneas del centro (Figura 14).

**8** Fije la encimera a la bañera. Limpie cualquier suciedad o residuo de la parte superior del borde de la bañera. Aplique gotas de sellador de silicona en todo el borde de la bañera.

**!** No utilice adhesivo ni sellador adhesivo para fijar la encimera a la bañera. Si se requiere mantenimiento o remodelación, es posible que deba quitarse la encimera. El adhesivo unirá de manera permanente la encimera a la bañera. Ubique con cuidado la plataforma/encimera sobre la bañera. Siga las instrucciones del fabricante para determinar el tiempo de curado.

**9** Aplique una gota continua de sellador de silicona alrededor de toda la junta entre la encimera y el borde de la bañera. Deje curar el sellador de acuerdo con las instrucciones del fabricante.

**10** Encienda el suministro de energía para los circuitos especializados protegidos con GFCI y compruebe el funcionamiento del sistema.

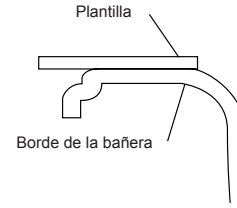


Figura 13 - Plantilla de la Colocación

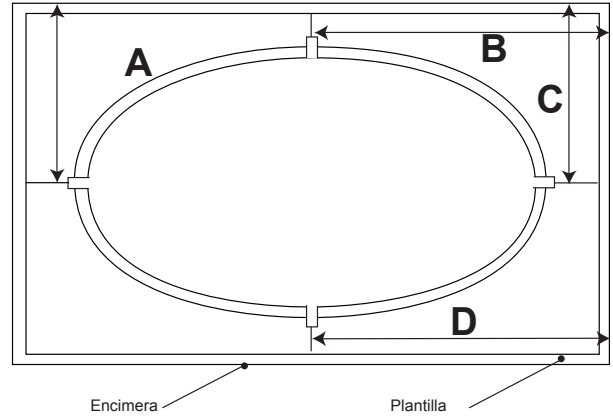


Figura 14 - Idstance de Medición

## Limpieza

Para evitar que la superficie de la bañera se raye o pierda brillo, nunca use limpiadores abrasivos. Para las superficies más sucias, basta el uso de detergente líquido suave y agua tibia. También se recomienda lo siguiente:

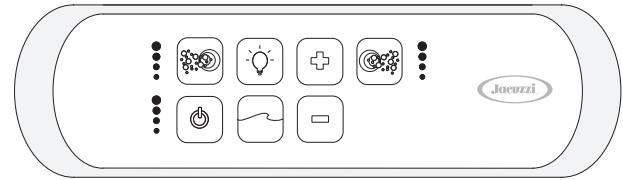
- Quite el yeso derramado con un filo de madera o plástico. Las manchas dejadas por el yeso o la lechada pueden eliminarse frotando ligeramente con una esponja o un paño húmedo con detergente. No use rasquetas de metal, cepillos de acero ni otras herramientas metálicas ya que dañarán la superficie de la bañera.
- Las manchas de pintura, alquitrán u otras manchas difíciles se pueden eliminar con Fantastik® o agua jabonosa.
- Los rayones menores que no penetran en el acabado de color se pueden eliminar lijando suavemente con un papel de lija húmedo o seco de grano 600. Puede restaurar el acabado brillante de la superficie acrílica de la bañera con un compuesto especial, el Mirror Glaze N.º 10 de Meguiar. Si no se lo puede conseguir, utilice un compuesto de lustrado de automóviles seguido de una aplicación de cera en pasta para automóviles.
- Será necesario volver a aplicar el acabado si los rayones y estrías penetran en la superficie acrílica. Llame a Jacuzzi Luxury Bath para localizar a un agente de servicio cercano a su domicilio.

## Información general sobre el funcionamiento

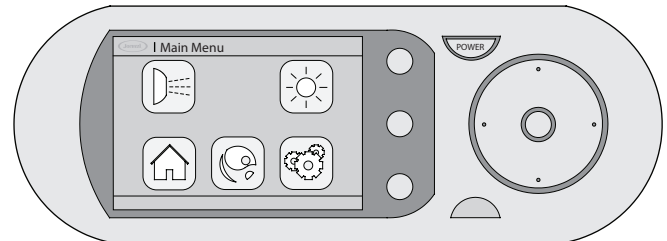
Todas las bañeras fabricadas por Jacuzzi Luxury Bath están diseñadas para "llenar y drenar", lo que significa que se debe vaciar la bañera después de cada uso y llenarla con agua limpia para el próximo baño. Esto es una precaución para la salud, ya que estas bañeras no están diseñadas para contener agua de manera continua como las piscinas o bañeras de hidromasaje.

La serie Luxury Whirlpool viene con dos tipos de panel de control. Consulte los detalles a continuación:

- Panel de control electrónico J4 Luxury: Las instrucciones de funcionamiento para este panel se presentan más abajo.
- Panel de control LCD J5 Luxury opcional: Las instrucciones de funcionamiento para este panel se describen en la guía complementaria incluida en el paquete de la garantía. Consulte este documento para conocer los detalles completos sobre el funcionamiento (P/N GU47000).




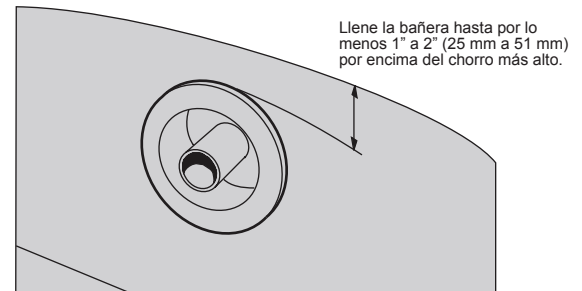
Panel de control J4



Panel de control J5

Cierre el drenaje y llene la bañera hasta que el agua alcance un nivel de 1" a 2" (25 mm a 51 mm) por encima del chorro más alto (ver la línea de agua indicada en la ilustración). No active el sistema Whirlpool en ningún momento si los chorros no están completamente sumergidos en el agua. El funcionamiento del sistema Whirlpool sin una cantidad suficiente de agua en la bañera podría provocar la aspersión de agua fuera del área de la bañera. El funcionamiento del sistema Whirlpool sin agua dañará la bomba de recirculación.

 Cuando salga de la bañera, el nivel de agua descenderá por debajo de los chorros, lo cual podría provocar la aspersión de agua fuera de la unidad. Para evitarlo, debe APAGAR la unidad antes de salir de la bañera.




## Funcionamiento Whirlpool

**ENCENDIDO:** Oprima el botón de los chorros una vez para **ACTIVAR** los chorros Whirlpool.

El motor Whirlpool funcionará a alta velocidad. Las luces indicadoras de la izquierda se iluminarán intensamente.

**APAGADO:** Oprima el botón de los chorros una segunda vez para **DESACTIVAR** los chorros Whirlpool.

 Si está activado el modo de iluminación de cromoterapia (las luces indicadoras de la izquierda del botón de los chorros están tenues), deberá oprimir el botón de los chorros una vez para reanudar el modo de funcionamiento Whirlpool y luego oprimirlo nuevamente para desactivarlo.



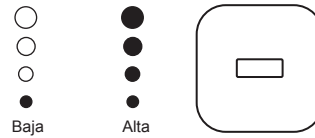


## Disminución de la velocidad

Oprima el botón (-) para disminuir la velocidad del remolino.

Hay 2 velocidades del motor Whirlpool: alta y baja. Las luces indicadoras muestran la configuración.

- 1 luz encendida = velocidad baja
- 4 luces encendidas = velocidad alta

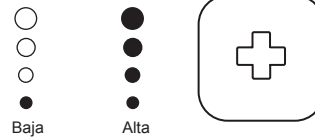


## Aumento de la velocidad

Oprima el botón (+) para aumentar la velocidad del remolino.

Hay 2 velocidades del motor Whirlpool: alta y baja. Las luces indicadoras muestran la configuración.

- 1 luz encendida = velocidad baja
- 4 luces encendidas = velocidad alta

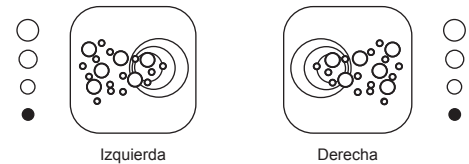


## Flujo de aire

Oprima el botón izquierdo correspondiente a las válvulas de aire para activar las válvulas de aire de la izquierda. Oprima el botón derecho correspondiente a las válvulas de aire para activar las válvulas de aire de la derecha.


La cantidad de aire inducida en los chorros Whirlpool se puede controlar desde un valor máximo a cero. Utilice los botones (+) y (-) para aumentar o disminuir el flujo de aire.


Las luces indicadoras ubicadas inmediatamente a la izquierda y a la derecha de los botones correspondientes a las válvulas de aire indican la cantidad de aire inducido.



## Modo de olas

Oprima el botón de ola para iniciar la circulación del flujo de aire en los chorros desde la posición de flujo de aire máximo a cero.

 Si el modo de olas no se inicia, asegúrese de que está en el modo de funcionamiento Whirlpool (las luces ubicadas inmediatamente a la izquierda del botón de los chorros se deben encontrar iluminadas intensamente).

 Tanto las válvulas de aire de la derecha como las de la izquierda se alternan simultáneamente desde la posición cerrada (sin aire) a la posición abierta (aire máximo).

Las luces indicadoras mostrarán el flujo a medida que pasa de mínimo a máximo. Para desactivar el modo de olas, pulse el botón (de ola).



## Funcionamiento de la cromoterapia o la terapia de iluminación (luz)

### Oprima el botón de la luz una primera vez:

Se enciende la iluminación de color; utilice los botones ascendente y descendente para comenzar la visualización secuencial de colores o seleccionar otro color.

### Oprima el botón de la luz una segunda vez:

Se enciende la iluminación blanca; utilice los botones ascendente y descendente para seleccionar la intensidad de la luz blanca.

### Oprima el botón de la luz por tercera vez:

Se apaga toda la iluminación.



### Funcionamiento de la luz de color

La iluminación de color predeterminada es azul constante. Al oprimir el botón (+), se activa la visualización secuencial de colores en este orden: azul, verde azulado, verde, amarillo, anaranjado, rojo, rosado, morado y luego regresa al azul y así sucesivamente. Para detenerse en el color deseado, oprima nuevamente el botón (+). Al oprimir el botón (-), se activa la visualización secuencial de colores en este orden: azul, morado, rosado, rojo, anaranjado, amarillo, verde, verde azulado y luego regresa al azul y así sucesivamente. Para detenerse en el color deseado, oprima nuevamente el botón (-).

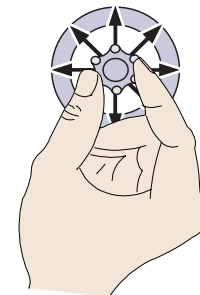
### Funcionamiento de la luz blanca

Hay cinco intensidades de luz blanca. Oprima el botón (+) para aumentar la intensidad de las luces. Oprima el botón (-) para disminuir la intensidad de la luz.

## Control de la dirección y del flujo Whirlpool

### Dirección:

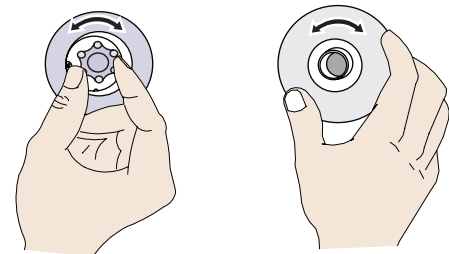
Todos los chorros de Jacuzzi, excepto los giratorios para el cuello, se pueden ajustar de modo direccional. Para cambiar la dirección del flujo del agua, gire la boquilla del chorro hasta el ángulo deseado. Los chorros se pueden direccionar de forma individual hacia cualquier parte del cuerpo para realizar un hidromasaje. Los chorros también se pueden adaptar de modo que todos apunten en la misma dirección (en sentido horario o antihorario) para hacer circular el agua con un movimiento circular alrededor de la bañera, produciendo así un efecto total de remolino.




Chorros multidireccionales


### Fuerza del agua:

La mayoría de los chorros de Jacuzzi está diseñada para posibilitar un ajuste del flujo. Para movimientos vigorosos, aumente la fuerza del flujo girando la boquilla, o el frente, hacia la izquierda (en sentido antihorario). Para obtener un efecto más suave, o para detener el flujo del chorro, gire la boquilla, o el frente, hacia la derecha (sentido horario).



El cierre de uno o más chorros puede aumentar la fuerza del agua en los restantes.

 Los chorros giratorios para el cuello, y algunos chorros AccuPro™, no permiten regular la fuerza del agua.

 Nunca ponga en funcionamiento el sistema Whirlpool con todos los chorros cerrados.

## RapidHeat™

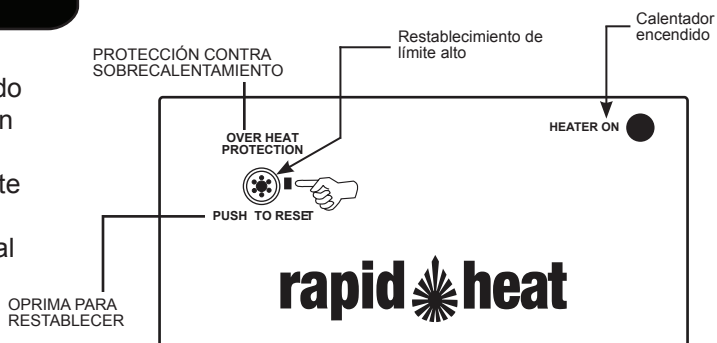
El calentador se ENCIENDE automáticamente cada vez que se activa el funcionamiento Whirlpool. El funcionamiento del calentador no se muestra en el panel de control. Hay una luz indicadora visible en el calentador que señala que el calentador está funcionando. El calentador ayudará a mantener la temperatura del agua en la bañera.

## Interruptor de vacío

El calentador está equipado con un interruptor de vacío previamente configurado que impedirá que el calentador se ENCIENDA si la bomba no está funcionando y el agua no está fluyendo a través del sistema Whirlpool.

## Interruptor de límite alto

El calentador incluye un interruptor de límite alto exclusivo. Este circuito de seguridad no será accionado en falso por el agua caliente del grifo. Su única función es APAGAR el calentador si falla el termostato. Para restablecerlo, oprima el botón. Si el interruptor de límite alto se acciona con frecuencia, póngase en contacto con nosotros visitando [www.jacuzzi.com](http://www.jacuzzi.com), o llamando al 1-800-288-4002.



## Purga del sistema Whirlpool

Para eliminar la acumulación de los residuos de la bañera del sistema Whirlpool, se recomienda que limpie la bañera de hidromasajes por lo menos dos veces al mes. Sin embargo, para obtener mejores resultados, le recomendamos que limpie su bañera de hidromasajes luego de cada uso con Systems Clean™, nuestro exclusivo limpiador de dos componentes para sistemas de fontanería fabricado específicamente para bañeras de hidromasajes. Systems Clean™ se puede conseguir por medio de un distribuidor autorizado de Jacuzzi Whirlpool Bath o llamándonos directamente al 1-800-288-4002.

## Aditivos para baño



No utilice aceite o aditivos para baño a base de aceites.

Si quiere usar alguna clase de aditivo para baño, utilice sólo una pequeña cantidad de polvo de baja espuma o sustancias cristalizadas; la acción de remolino intensifica las propiedades espumantes de los jabones.

El uso de algunos aceites para baño, baños de espumas y aditivos para baño puede aumentar el nivel de acumulaciones de residuos en el sistema Whirlpool y puede provocar una falsa lectura de los sensores de nivel de agua. Si persiste el exceso de acumulaciones, deberá suspender el uso de estos productos.

## Mantenimiento

Para limpiar la bañera, simplemente use un detergente líquido suave no abrasivo. Puede proteger y restaurar el brillo de una superficie acrílica aplicando Mirror Glaze N.º 10 de Meguiar, un producto diseñado específicamente para uso en acabados acrílicos. Si no se puede conseguir este producto de Meguiar, utilice un compuesto de buena calidad para el lustrado de automóviles seguido de una aplicación de cera en pasta para automóviles.



Nunca utilice limpiadores abrasivos de uso doméstico en ningún producto Jacuzzi Luxury Bath.

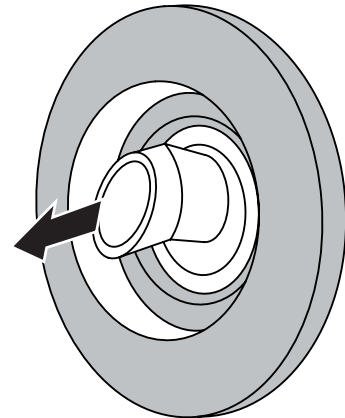
## Reparación de superficies

Los rayones menores que no penetran en el acabado de color se pueden eliminar lijando suavemente con un papel de lija húmedo o seco de grano 600. Restaure el brillo con Mirror Glaze de Meguiar o con cera en pasta para automóviles. Será necesario volver a aplicar el acabado si los rayones y estrías penetran en la superficie acrílica. Llame a Jacuzzi Luxury Bath para localizar a un agente de servicio cercano a su domicilio.

## Mantenimiento de los chorros giratorios

Si cabellos u otros tipos de residuos quedan atrapados en los cojinetes de estos chorros, los chorros podrían dejar de girar. Es posible que resulte necesario desarmar y eliminar los residuos.

Para ello, simplemente tome la boquilla y retírela del alojamiento del chorro. La carcasa del cojinete estará unida a la boquilla. Estos dos elementos se pueden separar sosteniendo la carcasa y empujando la boquilla para retirarla desde la parte trasera de la carcasa. Una vez terminada la limpieza, vuelva a armar e instalar los componentes.



## Mantenimiento de la tapa protectora de succión y del filtro

Limpie la tapa protectora de succión y el filtro retirando el cabello y los residuos cuando sea necesario.

- 1 Retire el tornillo central y separe la tapa protectora de succión.
- 2 Limpie la tapa aplicando una descarga de agua inversa a los residuos desde los agujeros.
- 3 Vuelva a colocar la tapa protectora de succión inmediatamente después de la limpieza.



Cuando la vuelva a instalar, oriente la tapa/el filtro con la pequeña muesca hacia abajo. La junta debe insertarse en la ranura de la tapa/del filtro antes de volver a instalarla en el accesorio de succión.

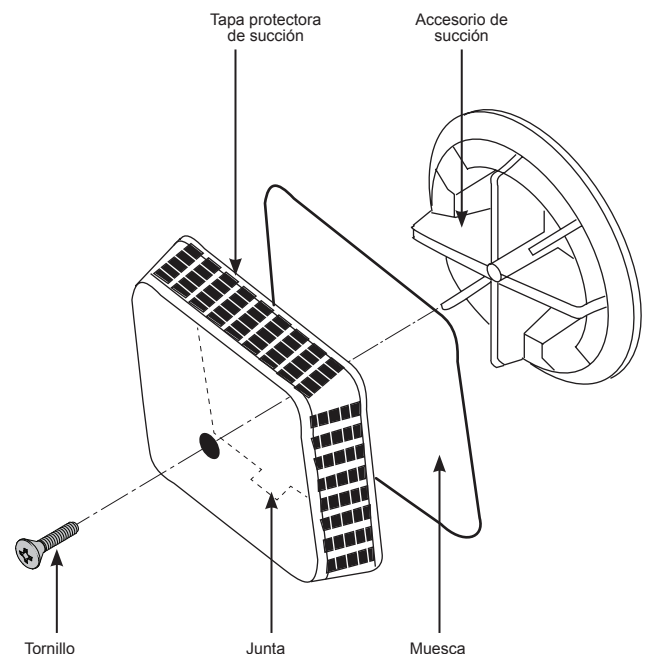


Mantenga alejado el cabello a un mínimo de 6 pulgadas (152 mm) del accesorio de succión siempre que el sistema Whirlpool esté funcionando. El cabello que caiga por debajo de los hombros debe llevarse recogido o cubierto con una gorra de baño.



No haga funcionar el sistema Whirlpool sin la placa protectora de succión/el filtro en su ubicación.

Es un dispositivo de seguridad y siempre debe estar colocado en el accesorio de succión para minimizar el riesgo posible de que el cabello o alguna parte del cuerpo queden atrapados.



## Procedimientos para la resolución de problemas

PROBLEMA	CAUSAS PROBABLES	SOLUCIÓN
El motor/la bomba no enciende	El motor/la bomba no tiene suministro de energía	Reinicie el GFCI
	El motor/la bomba no está enchufado/a	Asegure el enchufe en la toma de corriente
	Motor/bomba defectuoso/a	Asegúrese de que el panel de control esté conectado a la caja de control Comuníquese con Jacuzzi Luxury Bath al 800-288-4002.
El motor/la bomba funciona pero ningún chorro de ajuste completo está funcionando	Los chorros están cerrados	Abra los chorros girándolos en sentido antihorario
	La tapa protectora de succión/el filtro pueden estar atascados	Con el motor APAGADO, retire la tapa protectora de succión/el filtro y elimine los residuos Vuelva a colocar la tapa protectora de succión antes de encender la unidad
El motor/la bomba funciona pero no se inyecta aire en el agua	Las válvulas de aire están cerradas	Abra las válvulas de control de aire
Pérdidas de agua en las uniones de la bomba	Demasiado apretado. La junta tórica puede estar mordida o mal asentada, tensada insuficiente.	Suelte las uniones. Controle y vuelva a asentar la junta tórica Si la junta tórica está mordida y perdió su forma, reemplácela (consulte el número a continuación). Cuando ajuste las tuercas de las uniones, hágalo sólo manualmente
El motor/la bomba se desconecta solo antes de que transcurra el tiempo necesario	La protección térmica del motor desactivó el motor/la bomba debido a un sobrecalentamiento (suministro de voltaje bajo)	Deje enfriar el motor; la protección térmica se restablecerá. Asegúrese de que haya una ventilación adecuada (controle el voltaje de suministro)
	Se activó el GFCI	Reinicie el GFCI. Si continúa activándose, no utilice esta unidad.
	El cableado de alimentación eléctrica es inadecuado	Desconecte la unidad y procure que un electricista matriculado solucione el problema antes de utilizarla.  Consulte a un electricista matriculado para corregir la unidad de cableado.
Las luces de cromoterapia no funcionan.	El conector se aflojó.	Comuníquese con Jacuzzi Luxury Bath al 800-288-4002.



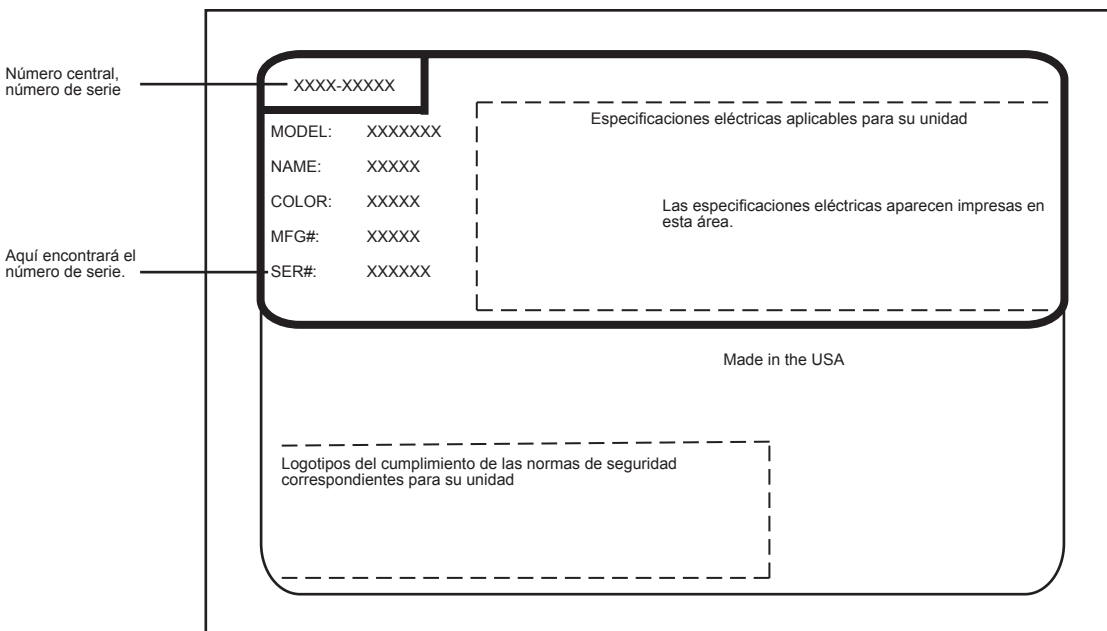
Si la unidad aún se encuentra dentro del período de la garantía, comuníquese con Asistencia de Servicio Técnico de Jacuzzi Whirlpool Bath llamando al 1-800-288-4002 y verifique el número de serie de su bañera antes de que se inicie el trabajo. El número de serie está ubicado en la placa de Especificaciones/número de serie (consulte la página siguiente).

## Servicio técnico autorizado

Si necesita obtener los datos de una empresa de servicio técnico cercana a su domicilio o necesita ayuda con dudas relacionadas con el funcionamiento o mantenimiento, llame a nuestro Departamento de Asistencia de Servicio Técnico al 1-800-288-4002. Visite nuestro sitio web en <http://www.jacuzzi.com/> para conocer los productos y servicios y obtener una copia electrónica de estas Instrucciones para la instalación y el funcionamiento.

Cuando solicite un servicio o asistencia técnica, tenga a mano tanto el número de modelo como el número de serie de su unidad. Puede consultar esta información en la tarjeta de registro del producto que se proporciona junto con la unidad. Si extravió la tarjeta, puede obtener esta información en la etiqueta de especificaciones/número de serie que se encuentra en la unidad misma. La etiqueta está ubicada en la pared de la bañera cerca del motor del generador de burbujas de aire.

### ETIQUETA DE ESPECIFICACIONES/NÚMERO DE SERIE



LAS ESPECIFICACIONES DEL PRODUCTO ESTÁN SUJETAS A CAMBIO SIN PREVIO AVISO.

UTILICE EL MANUAL DE ESPECIFICACIONES TÉCNICAS PROVISTO CON EL PRODUCTO.

Jacuzzi® Luxury Bath ha obtenido los listados de los códigos (normas) aplicables que suelen estar disponibles a nivel nacional para productos de este tipo. Es responsabilidad del instalador o propietario determinar el cumplimiento de los códigos locales específicos antes de instalar el producto. Jacuzzi® Luxury Bath no realiza manifestaciones ni ofrece garantías con respecto al cumplimiento de ningún código, ni será responsable de dicho cumplimiento.

Jacuzzi® Luxury Bath  
14525 Monte Vista Avenue  
Chino, California, 91710  
1-800-288-4002  
[www.jacuzzi.com](http://www.jacuzzi.com)

# Garantía limitada de por vida para las bañeras de marca Jacuzzi Luxury de las Colecciones Comfort, Comfort Plus, Pure Air®, Luxury, Salon™ Spa y Pure Air® II

## COBERTURA DE LA GARANTÍA

Jacuzzi Luxury Bath (la "Empresa") ofrece la siguiente garantía expresa limitada de por vida al comprador original de cualquiera de los productos Jacuzzi® Luxury Bath incluidos en las colecciones Comfort, Comfort Plus, Pure Air®, Pure Air® II y Luxury™ ("Bañera") de la Empresa que adquiera la Bañera para uso personal o residencial unifamiliar ("Usuario"): La Empresa reparará o reemplazará, a su exclusiva elección, la Bañera o su equipo conforme a los siguientes términos y condiciones. Esta garantía no tiene validez para productos de Bañera que no son de la marca fabricados por la Empresa.

## GARANTÍA DE POR VIDA PARA LAS BAÑERAS

La Empresa extiende al Usuario de la Bañera una garantía intransferible limitada de por vida, que establece que el armazón mantendrá su configuración e integridad estructural y que no presentará pérdidas de agua debido a un defecto. Esta garantía cubre los defectos en el material o en la confección únicamente del armazón de la bañera y la bomba, los chorros, los controles y el generador de burbujas de aire instalados por el fabricante. Esta garantía no tiene validez para ninguno de los modelos de exhibición ni para ninguna de las opciones o los accesorios que están cubiertos por nuestra garantía limitada de noventa (90) días estipulada a continuación. La cobertura de la garantía comienza a partir de la fecha en que el Usuario compró originalmente la unidad y cuando la Empresa recibe la Tarjeta de registro de la garantía llenada en su totalidad según se describe más adelante.

## GARANTÍA DE MANO DE OBRA DE 2 AÑOS PARA TODOS LOS COMPONENTES INSTALADOS DE FÁBRICA

Nuestra garantía limitada de mano de obra cubre un período de dos (2) años a partir de la fecha en que el Usuario compró originalmente la unidad y de no más de tres (3) años a partir de la fecha de fabricación. Todos los componentes instalados de fábrica (p. ej., bomba, motor, generador de burbujas de aire y conexiones de fontanería) están cubiertas por nuestra garantía de mano de obra por cualquier falla debida a defectos en los materiales y la confección.

## GARANTÍA LÍMITADA DE NOVENTA DÍAS (ÚNICAMENTE PARA LAS PIEZAS) SOBRE OPCIONES Y ACCESORIOS

Nuestra garantía limitada sobre opciones y accesorios cubre piezas únicamente por un período de noventa (90) días. Nuestra garantía cubre opciones y accesorios fabricados (p. ej., drenajes, equipos de tubos de llenado, juegos de accesorios ornamentales, faldones, monitores de video, pantallas planas LCD, reproductores de CD y MP3 y otros dispositivos de música y video y calentadores opcionales) contra defectos en el material o la confección. La cobertura de la garantía entra en vigencia a partir de la fecha de compra de la opción o el accesorio por parte del Usuario. Estos artículos pueden estar cubiertos por una garantía del fabricante, la cual puede tener una mayor duración que esta garantía limitada. Confirme con el fabricante la duración de la garantía pertinente para Opciones y Accesorios.

## LIMITACIONES DE LA GARANTÍA

Nuestra garantía limitada no cubre fallas, defectos ni daños causados por el transportista común, el instalador, el usuario u otras personas, mascotas o roedores ni aquellos que sean consecuencia, aunque no exclusivamente, de cualquiera de las siguientes situaciones: manipulación imprudente (incluidos levantamiento de la unidad por sus accesorios de fontanería, abrasión del acabado, etc.) que incluya su propia negligencia; modificación de cualquier tipo por cualquier motivo (incluida la modificación para cumplir con los códigos locales); instalación incorrecta (incluida la instalación no conforme a las instrucciones y especificaciones proporcionadas con la unidad); conexiones suministradas por el instalador del equipo; suministro de voltaje inadecuado o modificación eléctrica no autorizada; mal uso; operación incorrecta o falta de mantenimiento de rutina adecuado; funcionamiento de la unidad sin la cantidad mínima especificada de agua o con agua a temperatura inadecuada; uso de limpiadores abrasivos o inapropiados; o desastres naturales, como rayos, inundaciones, terremotos, etc.

Además, LA EMPRESA NO SE RESPONSABILIZARÁ DE LOS DAÑOS FORTUITOS O EMERGENTES o pérdidas originadas por cualquier causa (p. ej., daños ocasionados por el agua en alfombras, cielorraso, azulejos, mármol, pérdida de uso, etc.) que incluyan su propia negligencia; daños en, relativos a o resultantes de: piezas enchapadas cuando se utilizan productos químicos para piscinas o bañeras de hidromasajes en la unidad o condiciones de agua dura; equipos opcionales para bañeras no fabricados por la Empresa pero sí suministrados por el Distribuidor, instalador o la Empresa; uso previo de la unidad como producto exhibido en funcionamiento; o defectos que deben descubrirse antes de la instalación.

Esta garantía limitada no incluye: mano de obra, transporte ni otros costos incurridos en el retiro y/o la reinstalación de la unidad original y/o la instalación de una unidad de reemplazo; ningún costo relacionado con la obtención de accesos para efectuar reparaciones; o daños por pérdida de uso, incluida la pérdida de ventas, lucro cesante o pérdida de ventaja comercial de cualquier tipo en cualquier circunstancia. Las bañeras están excluidas de cualquier cobertura de garantía si se ha realizado alguna adición, eliminación o modificación de cualquier tipo en la unidad (o en cualquiera de los componentes). La cobertura de la garantía se brinda exclusivamente en los Estados Unidos de América y Canadá.

## EXCLUSIÓN DE GARANTÍAS IMPLÍCITAS

LAS GARANTÍAS IMPLÍCITAS DE COMERCIABILIDAD Y APTITUD PARA UN FIN ESPECÍFICO QUEDAN EXCLUIDAS EN SU TOTALIDAD O EN LA MÁXIMA MEDIDA PERMITIDA POR LA LEY.

AVISO: La presente garantía le otorga derechos legales específicos, y es posible que usted goce de otros derechos que varían de un estado a otro. No existen garantías que se apliquen a los productos Jacuzzi Luxury Bath excepto las estipuladas expresamente en la presente o las implícitas en las leyes estatales y federales pertinentes. La Empresa no será responsable de ninguna declaración o manifestación realizada en cualquier forma que sobrepase, exceda o resulte contraria a cualquier material publicado autorizado o las especificaciones entregadas por la Empresa. Algunos estados no permiten las limitaciones a la duración de una garantía implícita ni la exclusión o limitación de daños fortuitos o emergentes, de modo que es posible que las limitaciones y exclusiones mencionadas no se apliquen a su caso.

Luxury Bath by Jacuzzi®  
HD84000



Jacuzzi® Luxury Bath  
14525 Monte Vista Avenue  
Chino, California 91710

**DEVOLUCIÓN DE LA TARJETA DE REGISTRO DE LA GARANTÍA**

Para registrar su producto, ingrese en nuestro sitio web Jacuzzi.com, haga clic en Bath and Showers (Bañeras y duchas) y luego seleccione ONLINE WARRANTY REGISTRATION (REGISTRO DE LA GARANTÍA EN LÍNEA) en la parte superior de página. Se le pedirá que ingrese el número de serie de su producto y, a continuación, la información de registro de la garantía. También puede completar el registro que se encuentra abajo y enviarlo por correo a Jacuzzi a la dirección indicada a continuación.

Para que esta garantía entre en vigencia, el comprador DEBE llenar el Registro de la garantía que se adjunta en un plazo de treinta (30) días a partir de la compra, y Jacuzzi Luxury Bath debe recibirlo.

**RESPONSABILIDADES DE TERCEROS**

La inspección de la unidad antes de la instalación es responsabilidad del instalador o el contratista de obra que actúa en representación del Usuario. Estos terceros son responsables de verificar que la unidad no presente defectos ni daños. Hay avisos colocados en la unidad y en la caja de envío en los que se informa al instalador acerca de esta responsabilidad. En caso de producirse un problema, no se debe instalar la unidad. La Empresa no se responsabiliza de las fallas o los daños que podrían haberse descubierto, reparado o evitado mediante una inspección y pruebas adecuadas (incluida la prueba de agua correspondiente) antes de la instalación. Los daños ocurridos durante el transporte son responsabilidad del transportista. El Usuario o instalador DEBE abrir la caja e inspeccionar la unidad para verificar que no tenga daños al momento de la entrega. Si se descubre algún daño, inmediatamente debe informarse por escrito al vendedor y al transportista y solicitar una inspección. Si el transportista no responde, se debe informar al vendedor y al transportista. Sus reclamos de flete deben presentarse sin demoras después de eso. Los daños ocasionados en la unidad durante la instalación son responsabilidad del instalador y/o contratista de obra, y los daños ocasionados posteriormente son responsabilidad del usuario.

Las fallas de cualquier equipo opcional son responsabilidad exclusiva del fabricante del equipo, excepto por lo estipulado anteriormente, y no se extenderá ni aplicará a ninguna pieza de reemplazo para las Opciones y Accesorios. Todas las piezas de reemplazo estarán cubiertas por el fabricante del equipo original.

El Distribuidor o Vendedor es responsable de conocer los requisitos de los códigos locales y de notificar estos requisitos al contratista instalador y/o al Usuario al momento de la compra. La Empresa no es responsable de los costos incurridos para la modificación de algún producto con el fin de obtener la aprobación de los códigos, como los códigos de construcción de la ciudad, el condado o el estado en los EE. UU. o los códigos municipales o provinciales en Canadá.

**SERVICIO DE GARANTÍA**

Para beneficio del cliente, la Empresa mantiene una lista de personal de servicio técnico independiente para efectuar las reparaciones requeridas del servicio de garantía. Estas empresas no son agentes ni representantes de la Empresa ni pueden obligar a la Empresa mediante palabras o proceder.

La Empresa proporcionará el servicio de garantía antes descrito siempre que se cumplan las siguientes condiciones: la falla es de la naturaleza o del tipo cubierto por la garantía; el Usuario ha informado a un Agente de Servicio Autorizado de Jacuzzi Luxury Bath o a un Representante del Departamento de Servicio de Garantía acerca de la naturaleza del problema durante el período de la garantía; el usuario entrega a dicho agente o representante pruebas concluyentes (p. ej., comprobante de compra o instalación) que demuestran que la falla ocurrió o se descubrió dentro del período de la garantía; se le ha permitido a una persona del servicio técnico independiente autorizado o un representante de la Empresa inspeccionar la unidad en horario comercial normal dentro de un tiempo razonable después de que el Usuario informó sobre el problema. A fin de obtener servicio de garantía, comuníquese con Jacuzzi Luxury Bath al:

jacuzzi.com

or

Warranty Service Department  
14525 Monte Vista Avenue  
Chino, California 91710  
Call: 1-(800) 288-4002

Para obtener un reemplazo cubierto por la garantía de componentes instalados de fábrica para las opciones y los accesorios proporcionados y fabricados por la Empresa, llame al teléfono o escriba a la dirección que se indican arriba. Brinde una descripción del problema y un comprobante de compra. Se le indicará cómo obtener los reemplazos y dónde devolver, a su cargo, el/los componente/s, la/s opción/opciones o el/los accesorio/s fallado/s.

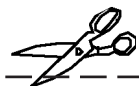
Todas las piezas y los equipos de reemplazo y las reparaciones asumirán lo que quede del período de la garantía de la/s pieza/s reemplazada/s.

La obligación de la Empresa con relación a la garantía finalizará con la oferta de reemplazo o reparación. La negativa del cliente a aceptar la oferta deja sin efecto la obligación de la Empresa con relación a la garantía.

Garantía limitada de noventa días únicamente para piezas sobre accesorio(s)

Garantía limitada de noventa días únicamente para piezas sobre accesorio(s)

JACUZZI LUXURY BATH  
HD84000



**TARJETA DE REGIS-  
TRO DE LA GARANTÍA**

Para que esta garantía entre en vigencia, visite nuestro sitio web en www.jacuzzi.com o llene esta tarjeta y envíela por correo a la dirección impresa al dorso dentro de los treinta (30) días a partir de la fecha de compra.

Nombre del comprador \_\_\_\_\_  
Dirección del comprador \_\_\_\_\_  
Ciudad \_\_\_\_\_ Estado \_\_\_\_\_ Código postal \_\_\_\_\_

Fecha de compra \_\_\_\_\_  
Nombre del modelo \_\_\_\_\_  
Número de serie \_\_\_\_\_

Nombre del distribuidor \_\_\_\_\_  
Dirección del distribuidor \_\_\_\_\_

1. ¿Como se enteró por primera vez de este producto Jacuzzi®?  
( ) Anuncio publicitario ( ) Artículo en revista/perifoneo  
( ) Visitó al distribuidor/proveedor de instalaciones sanitarias  
( ) Páginas amarillas  
( ) Constructor/fontanero/remodelador ( ) Decorador/arquitecto  
( ) Visitó tienda minorista/de artículos para el hogar  
( ) Referido por otros... Amigo/pariente/conocido  
( ) Otro (Describa) \_\_\_\_\_

2. ¿Quién fue el primero en darle información específica sobre este producto (especificaciones, precios, etc.)?  
( ) Distribuidor/proveedor de instalaciones sanitarias ( ) Constructor  
( ) Remodelador  
( ) Contratista de fontanería ( ) Tienda minorista/de artículos para el hogar

3. ¿Cuál fue el principal motivo para la compra?  
( ) Estilo ( ) Servicio de garantía ( ) Características del producto  
( ) Marca ( ) Precio ( ) Hidrotarapia  
( ) Reventa de la casa  
( ) Otro \_\_\_\_\_

4. ¿Quién tomó la decisión final de qué producto comprar?  
( ) Usted mismo ( ) Conyuge ( ) Usted y su conyuge  
( ) Otro miembro de la familia ( ) Diseñador/arquitecto  
( ) Constructor/fontanero/remodelador ( ) Ya estaba instalado

5. ¿Quién lo instaló? ( ) Ya estaba instalado/casa nueva  
( ) Contratista/fontanero durante la remodelación  
( ) Usted/conyuge durante la remodelación  
( ) Otro \_\_\_\_\_

6. ¿Cuál es el valor de mercado actual de esta propiedad?  
Estime en \$ \_\_\_\_\_ años

7. ¿Qué edad tiene el jefe de familia?  
8. ¿Qué otros fabricantes tuvieron en cuenta?  
( ) Eljer ( ) Lasco ( ) Price Pfister ( ) Aquia Glass  
( ) Kohler ( ) American Standard ( ) Sterling  
( ) Otro (especifique) \_\_\_\_\_

9. ¿Cuánto tiempo estuvo buscando antes de comprar la unidad?  
( ) 1 día ( ) de 2 a 6 meses  
( ) de 2 a 7 días ( ) de 6 meses a 1 año  
( ) de 1 a 2 semanas ( ) de 1 a 2 años  
( ) de 2 a 4 semanas ( ) más de 2 años  
( ) de 1 a 2 meses

10. Aproximadamente, ¿cuánto tiempo lleva viviendo en esta casa?  
11. Indique, aproximadamente, el ingreso anual total de su grupo familiar.  
( ) Hasta \$24,999 ( ) de \$50,000 a \$74,999  
( ) De \$25,000 a \$29,999 ( ) de \$75,000 a \$99,999  
( ) De \$30,000 a \$39,999 ( ) de \$100,000 a \$149,999  
( ) De \$40,000 a \$49,999 ( ) más de \$150,000

12. ¿Cómo fue el proceso de compra?  
( ) Muy fácil ( ) Fácil ( ) Difícil ( ) Muy difícil  
13. Desde el punto de vista técnico, ¿cuánto conocía usted sobre el sistema de chorros Jacuzzi® patentado antes de realizar la compra?  
( ) No conocía nada ( ) Conocía algo ( ) Conocía mucho





**SÉRIE DE BAINS  
TOURBILLONS DE LUXE**

**DIRECTIVES D'INSTALLATION ET D'UTILISATION**

**Jacuzzi® Luxury Bath**

14525 Monte Vista Avenue  
Chino, CA 91710  
1-800-288-4002  
[www.jacuzzi.com](http://www.jacuzzi.com)



## Contenu

Contenu.....	51
Renseignements sur le produit.....	51
Directives de sécurité.....	52
Directives opérationnelles de sécurité.....	53
Inspection et essai.....	54
Cadrage.....	55
Matériau spécifique à Fuzion™.....	57
Connexions électriques.....	59
Installation par le dessus.....	61
Installation en dessous.....	63
Nettoyage.....	63
Renseignements généraux sur l'utilisation.....	64
Fonctionnement du bain tourbillon.....	64
Contrôle de la direction et du débit du bain tourbillon.....	66
Vidange du système du bain tourbillon.....	66
Additifs pour baignoire.....	67
Entretien.....	68
Procédures de dépannage.....	69
Service autorisé.....	70
Garantie.....	71

## Product Information



Conservez ces directives pour utilisation ultérieure. Utilisez le formulaire ci-dessous pour noter votre modèle et numéro de série pour consultation future.

Date d'achat \_\_\_\_\_

Acheté chez \_\_\_\_\_

Installé par \_\_\_\_\_

Numéro de série \_\_\_\_\_

Modèle \_\_\_\_\_






**Installateur** : laissez le manuel au propriétaire.

**Propriétaire** : lisez ce manuel et gardez-le pour consultation future.


## Directives de sécurité

### DIRECTIVES RELATIVES AUX RISQUES D'INCENDIE, D'ÉLECTROCUTION OU DE BLESSURES.

Il s'agit d'un produit de qualité professionnelle. Des connaissances relatives aux techniques de construction, de plomberie et d'installation électrique conformes aux codes sont requises pour effectuer une installation adéquate à la satisfaction de l'utilisateur. Nous vous recommandons d'obtenir les services d'un entrepreneur agréé pour effectuer l'installation des produits Jacuzzi® Luxury Bath. Notre garantie ne couvre pas les problèmes causés par une mauvaise installation.

-  **MISE EN GARDE :** Des mesures de sécurité de base doivent toujours être prises lors de l'utilisation de cet appareil, y compris
- **LEA Y SIGA TODAS LAS INSTRUCCIONES. CONSERVE ESTAS INSTRUCCIONES.**
  - Utilisez cette unité seulement pour son utilisation prévue qui est décrite dans ce manuel. N'utilisez pas des accessoires qui ne sont pas recommandés par le fabricant.
  - Ne déposez ou n'insérez jamais des objets dans les ouvertures.
-  **AVERTISSEMENT :** **RISQUE DE BLESSURE ACCIDENTELLE OU DE NOYADE!**  
Ne laissez pas les enfants utiliser cette unité à moins qu'ils ne soient étroitement surveillés en tout temps. N'utilisez pas la baignoire d'hydromassage sans que tous les gardes à ventouse soient installés pour prévenir les accidents dus à la prise de cheveux ou des membres. Ne faites jamais fonctionner la baignoire d'hydromassage si le couvercle de succion est brisé, endommagé ou manquant.
-  **DANGER :** **RISQUE DE BLESSURE GRAVE CAUSÉE PAR UNE DÉCHARGE ÉLECTRIQUE OU DE DÉCÈS PAR ÉLECTROCUTION !** Cet appareil ne doit être relié qu'à un circuit d'alimentation protégé par un disjoncteur détecteur de fuite à la terre (DDFT) de 15 ampères. Un tel disjoncteur doit être fourni par l'installateur et doit être vérifié sur une base régulière. Pour vérifier le disjoncteur, enfoncez le bouton d'essai. Le disjoncteur devrait interrompre le courant. Appuyez sur le bouton de réinitialisation. Le courant devrait être rétabli. Si le disjoncteur ne fonctionne pas de cette façon, il est défectueux. Si le disjoncteur interrompt le courant vers la baignoire sans devoir enfoncer le bouton d'essai, il y a un courant mis à la terre qui circule, indiquant la possibilité d'une décharge électrique. N'utilisez pas cette baignoire d'hydromassage. Débranchez la baignoire d'hydromassage et faites réparer le problème par un représentant de service qualifié avant de l'utiliser à nouveau.
-  **AVERTISSEMENT :** **RISQUE DE DÉCHARGE ÉLECTRIQUE !**  
Ne reliez l'appareil qu'à un circuit protégé par un disjoncteur détecteur de fuite à la terre (DDFT). (Pour les unités reliées de façon permanente) une borne verte (ou un connecteur de fil) marquée « G », « GR », « GROUND » ou « GROUNDING » est fournie dans le compartiment des bornes. Pour réduire le risque de décharge électrique, reliez la borne ou le connecteur à la borne de mise à la terre de votre service électrique ou panneau d'alimentation avec un conducteur de taille équivalente aux conducteurs du circuit alimentant l'équipement.
-  **MISE EN GARDE :** Cet équipement est conçu pour être utilisé à l'intérieur seulement. Installez l'équipement en respectant ces directives. Utilisez des fils d'alimentation appropriés pour une température de 75 °C (167 °F), y compris la température nominale des conducteurs d'alimentation devant être utilisés. Cette unité doit être mise à la terre électriquement et installée par un entrepreneur, un électricien et un plombier agréés. Les matériaux de construction et le câblage doivent être acheminés loin du moteur/de la pompe ou du ventilateur ou des autres composants de cette unité produisant de la chaleur. Un connecteur de fil à pression est fourni à l'extérieur du moteur/de la pompe et de l'appareil de chauffage pour permettre la connexion d'un conducteur de mise à la masse en cuivre massif n° 8 AWG entre cette unité et tout autre équipement électrique et métal exposé dans les environs, au besoin pour se conformer aux exigences locales.

## Instrucciones importantes de seguridad de la Asociación de Normas Canadienses (sólo para modelos canadienses)

-  Des mesures de sécurité de base doivent toujours être prises lors de l'utilisation de cet appareil électrique, y compris :
1. **AVERTISSEMENT : RISQUE DE BLESSURE ACCIDENTELLE OU DE NOYADE! LES ENFANTS NE DOIVENT PAS UTILISER LA BAIGNOIRE D'HYDROMASSAGE SANS LA SUPERVISION D'UN ADULTE.**
  2. **AVERTISSEMENT : RISQUE DE BLESSURE ACCIDENTELLE OU DE NOYADE! N'UTILISEZ PAS LA BAIGNOIRE D'HYDROMASSAGE À MOINS QUE TOUTES LES GARGES D'ASPIRATION SOIENT INSTALLÉES POUR PRÉVENIR LES ACCIDENTS DUS À LA PRISE DE CHEVEUX OU DE MEMBRES.**
  3. **AVERTISSEMENT : POUR ÉVITER LES BLESSURES, FAITES ATTENTION LORSQUE VOUS ENTREZ OU SORTEZ DE LA BAIGNOIRE D'HYDROMASSAGE.**
  4. **AVERTISSEMENT : RISQUE DE BLESSURE ACCIDENTELLE OU DE NOYADE! NE PRENEZ PAS DE LA DROGUE OU DE L'ALCOOL AVANT OU PENDANT L'UTILISATION D'UNE BAIGNOIRE D'HYDROMASSAGE MUNIE D'UN APPAREIL DE CHAUFFAGE POUR ÉVITER LES ÉVANOUISSÉMENTS ET LA POSSIBILITÉ D'UNE NOYADE.**
  5. **AVERTISSEMENT : RISQUE DE BLESSURE FŒTALE! LES FEMMES ENCEINTES OU POSSIBLEMENT ENCEINTES DOIVENT CONSULTER UN MÉDECIN AVANT D'UTILISER UNE BAIGNOIRE D'HYDROMASSAGE MUNIE D'UN APPAREIL DE CHAUFFAGE.**
  6. **AVERTISSEMENT : RISQUE D'HYPOTHERMIE ET DE NOYADE : N'UTILISEZ PAS UNE BAIGNOIRE D'HYDROMASSAGE MUNIE D'UN APPAREIL DE CHAUFFAGE IMMÉDIATEMENT APRÈS AVOIR FAIT DES EXERCICES VIGOUREUX.**
  7. **SAUVEGARDEZ CES DIRECTIVES**

## Instrucciones de seguridad operacional


**AVERTISSEMENT :**
**RISQUE D'HYPOTHERMIE ET DE NOYADE !**

N'utilisez pas une baignoire d'hydromassage munie d'un appareil de chauffage immédiatement après avoir fait des exercices vigoureux.


**ADVERTENCIA:**
**RIESGO DE DESCARGA ELÉCTRICA**

- Ne permettez pas les appareils électriques (comme les sèche-cheveux, les lampes, les téléphones, les radios ou les téléviseurs) à une distance de moins de 1,5 m (60 po) de cette baignoire d'hydromassage.
- Ne faites pas fonctionner le système d'hydromassage à moins que la baignoire ne soit remplie d'eau jusqu'à une distance d'au moins 2,5 à 5 cm (1 à 2 po) au-dessus du trou d'air le plus élevé.
- N'immergez pas le panneau de commande en remplissant la baignoire de façon excessive.
- Pour nettoyer votre baignoire, n'utilisez pas de substances abrasives qui endommageront la surface de la baignoire.
- Pour éviter la décoloration du fini en acrylique, ne remplissez pas la baignoire avec de l'eau dont la température dépasse 60 °C (140 °F).


**AVERTISSEMENT :**
**UNE IMMERSION PROLONGÉE DANS DE L'EAU CHAUDE PEUT ENTRAÎNER L'HYPERTHERMIE !**

L'hyperthermie survient lorsque la température interne du corps dépasse de plusieurs degrés la température normale du corps de 37 °C (98,6 °F). Les symptômes de l'hyperthermie comprennent une augmentation de la température interne du corps, des étourdissements, la léthargie, la somnolence et l'évanouissement. Les effets de l'hyperthermie comprennent :

- A. l'omission de percevoir la chaleur;
- B. ne pas reconnaître la nécessité de sortir de la baignoire;
- C. l'ignorance des dangers imminents;
- D. des dommages fœtaux pour les femmes enceintes;
- E. l'incapacité physique de sortir de la baignoire;
- F. l'évanouissement entraînant le danger de noyade.


**AVERTISSEMENT :**
**RISQUE DE BLESSURE FŒTALE !**

Les femmes enceintes ou possiblement enceintes doivent consulter un médecin avant d'utiliser une baignoire d'hydromassage munie d'un appareil de chauffage.


**AVERTISSEMENT :**

L'usage d'alcool, de narcotiques ou de médicaments peut grandement augmenter le risque de décès par hyperthermie. Les gens qui prennent des médicaments ou qui ont des antécédents médicaux néfastes doivent consulter un médecin avant d'utiliser une baignoire d'hydromassage munie d'un appareil de chauffage.


**AVERTISSEMENT :**

Ne falsifiez pas les commandes actionnées par l'utilisateur ou les dispositifs similaires.


**AVERTISSEMENT :**

Utilisez cette unité seulement pour son utilisation prévue qui est décrite dans ce manuel. N'utilisez pas des accessoires qui ne sont pas recommandés par le fabricant.


**AVERTISSEMENT :**

Pour éviter les accidents, soyez prudents en entrant et en sortant de la baignoire d'hydromassage.


**AVERTISSEMENT :**

N'utilisez pas la baignoire d'hydromassage sans que tous les gardes à ventouse soient installés pour prévenir les accidents dus à la prise de cheveux ou des membres. Ne faites jamais fonctionner la baignoire à hydromassage si le couvercle de succion est brisé, endommagé ou manquant.


**AVERTISSEMENT :**

Une température d'eau excédant 40 °C (104 °F) peut produire des effets physiologiques dangereux. Vérifiez et ajustez la température de l'eau avant l'utilisation.


**MISE EN GARDE :**

Vérifiez périodiquement le disjoncteur de fuite de terre protégeant cet appareil conformément aux directives du fabricant.


**IMPORTANT:**

Lisez toutes les directives fournies dans ce manuel avant de commencer l'installation.

L'entreprise a obtenu les classifications de code (normes) applicables habituellement offertes à l'échelle nationale pour les produits de ce type. L'installateur/le propriétaire doivent déterminer la conformité au code local précis avant d'installer le produit. L'entreprise n'effectue aucune représentation ou garantie relatives à la conformité au code et elle ne sera pas responsable de cette dernière. Les spécifications du produit peuvent être modifiées sans préavis.

## Inspection et essai

### Inspection visuelle

- 1 Retirez la baignoire de la boîte d'expédition. Faites attention de ne pas égratigner la surface de la baignoire sur les agrafes exposées. Retirez les agrafes ou pliez-les sur la boîte. Conservez la boîte jusqu'à ce que vous ayez effectué une inspection satisfaisante du produit. Ne soulevez jamais la baignoire par la plomberie; manipulez-la par la coquille seulement.
- 2 Examinez la coquille et les composants de la baignoire. Si l'inspection révèle des dommages ou des défauts dans le fini ou des dommages visibles à l'un ou l'autre des composants, n'installez pas la baignoire. Les dommages ou les défauts au fini réclamés après l'installation de la baignoire sont exclus de la garantie. La responsabilité de Jacuzzi Luxury Bath quant aux dommages causés par l'expédition prend fin au moment de la livraison au transporteur de produits en bon état.
- 3 Communiquez avec le transporteur pour toute réclamation pour des dommages. Pour obtenir des détails sur la couverture et les limites de la garantie, reportez-vous aux renseignements sur la garantie publiés et emballés avec le produit ou à ceux qui se trouvent à la fin de ce manuel.

### Essai d'eau et de fonctionnement de la baignoire

Toutes les baignoires sont testées en usine avant d'être expédiées pour assurer leur fonctionnement adéquat et l'étanchéité des connexions. Cependant, l'unité doit être testée à nouveau par l'installateur avant l'installation. Jacuzzi Luxury Bath n'est pas responsable des défauts qui auraient pu être découverts, réparés ou évités en effectuant cette inspection et procédure d'essai :

- 1 Placez la baignoire sur une surface de niveau près d'une l'alimentation électrique appropriée, d'une alimentation en eau et d'une évacuation d'eau. Une voie d'accès pour autos est un bon endroit.
- 2 Scellez le trou d'évacuation et de trop-plein avec du ruban ou un bouchon et remplissez la baignoire jusqu'à la partie inférieure du trou de trop-plein.
- 3 Laissez la baignoire reposer pendant cinq minutes.
- 4 Branchez le bloc pompe/moteur et mettez l'unité en marche. Confirmez que toutes les caractéristiques fonctionnent selon leur description dans la section Utilisation de ce manuel. N'installez pas la baignoire si elle ne fonctionne pas correctement.
- 5 Examinez tous les joints pour vous assurer qu'ils ne fuient pas. N'installez pas la baignoire si vous découvrez des fuites.
- 6 Remettez la baignoire dans la boîte ou protégez-la des dommages jusqu'au moment de l'installation.

## Cadrage

Un manuel de spécifications techniques est offert avec votre baignoire. Le manuel de spécifications techniques comprend des renseignements utiles concernant votre produit Jacuzzi Luxury Bath. Localisez le manuel de spécifications techniques.

Encadrez l'espace où sera installée la baignoire. Considérez les éléments suivants lors de la préparation de la zone :

- Les dimensions fournies sur les diagrammes de disposition des tuyaux sont nominales. Mesurez votre unité dès sa réception et effectuez le cadre en fonction des dimensions réelles.
- La structure du plancher sous la baignoire doit être capable de soutenir le poids total de la baignoire, de l'eau et du baigneur.
- L'unité doit être soutenue par le dessous de la baignoire et non par le rebord de la baignoire. Pour les installations par le dessus, n'oubliez pas l'épaisseur du matériau en périphérie et du matériau de finition (marbre, carreaux, etc.).
- Assurez-vous que le rebord s'appuiera sur une surface de niveau.
- En vertu du code, vous devez fournir un accès vers le ventilateur de votre modèle précis. Des emplacements d'accès de service principaux et secondaires sont illustrés dans les diagrammes de disposition des tuyaux se trouvant dans le manuel de spécifications techniques. La figure 1 indique des emplacements d'accès communs.



L'installateur, l'entrepreneur ou le propriétaire doivent fournir un accès pour le service. Jacuzzi n'est pas responsable des frais encourus pour obtenir l'accès en cas de réparation. Le propriétaire sera responsable de tels frais et, le cas échéant, doit alors demander un recouvrement à l'installateur.

- Prévoyez une ventilation adéquate pour le refroidissement et fournissez suffisamment d'air pour le bloc pompe/moteur. N'isolez pas autour de l'équipement.
- Votre baignoire peut avoir des pièces du bloc pompe/moteur qui se prolongent au-delà du rebord de la baignoire. Reportez-vous aux diagrammes de disposition des tuyaux dans le paquet de garantie et effectuez l'encadrement correctement en conséquence.

### Emplacements d'accès communs

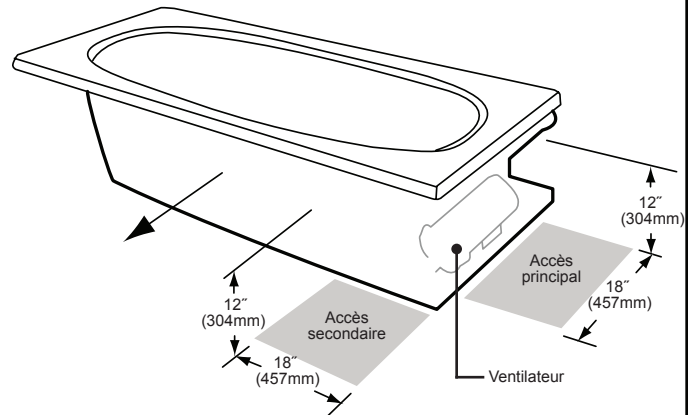
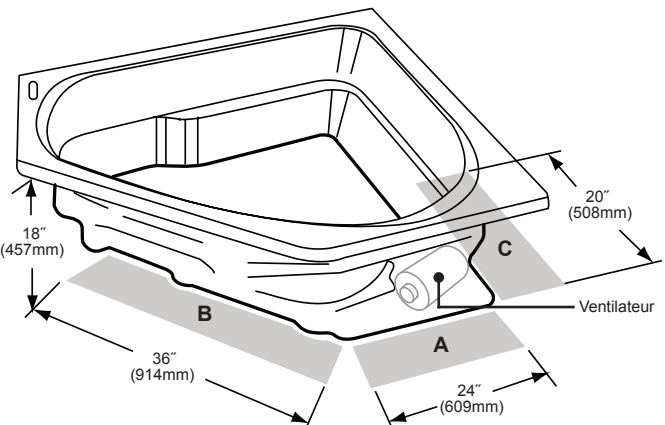


Figure 1



- A** = accès principal
- B** = variante acceptable si l'accès **A** n'est pas possible
- C** = accès secondaire pour l'équipement (en option)



L'accès à une unité gauche se trouve du côté opposé (miroir).

Figure 2

## Cadrage (suite)

- Pour s'assurer que l'installateur a de l'espace pour se déplacer et installer la baignoire, allouez suffisamment d'espace au mur et au plafond (figure 3).

### Exemples d'espacement

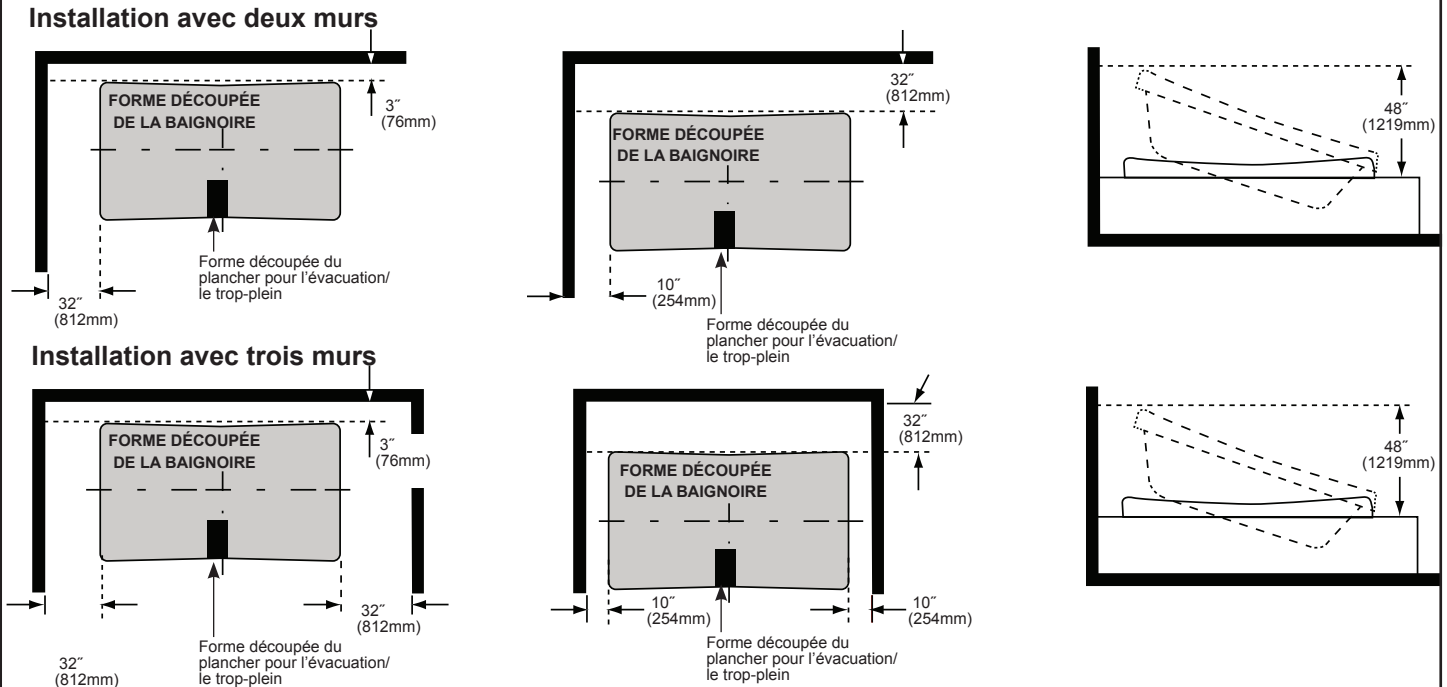


Figure 3

## Sous-plancher

Préparez le sous-plancher pour l'évacuation et assurez-vous que la zone est de niveau.

- 1 L'évacuation/le trop-plein de la baignoire se prolonge sous le fond de la baignoire. Dans le manuel de spécifications techniques, identifiez le dessin qui correspond à votre baignoire.
- 2 Effectuez les coupes appropriées dans le sous-plancher pour accommoder l'évacuation.
- 3 La base Tru-Level™ de Jacuzzi est une caractéristique standard sur toutes les baignoires. Si le sous-plancher est une surface continue de niveau, aucune autre préparation n'est requise. Procédez à la section « Installation ».
- 4 Si le sous-plancher n'est pas au niveau, vous devez niveler la surface au complet avant d'installer la baignoire. Les matériaux utilisés permettront de vous assurer que la baignoire est soutenue par le fond. Ces matériaux sont : composé de nivellement, mortier, plâtre ou mousse structurale à expansion minimale (avec une densité d'au moins 80 kg/m<sup>3</sup>). La baignoire doit demeurer de niveau afin qu'elle s'évacue correctement et elle doit être en contact avec le matériau de nivellement. Les deux côtés d'un joint ou d'une épissure d'un sous-plancher doivent être au même niveau.



## Matériau spécifique à Fuzion™

Les caractéristiques supplémentaires de conception de Fuzion™ exigent que les étapes suivantes soient terminées avant l'installation de la baignoire dans la périphérie construite. Les étapes suivantes doivent aussi être terminées dans l'ordre précisé :

- Installation de l'évacuation/du trop-plein Fuzion™
- Installation du cadre en bois Fuzion™
- Installation du panneau de commande Fuzion™

## Installation du robinet Fuzion™



Sélection d'un robinet pour montage sur le rebord : L'épaisseur combinée du rebord de la coquille de la baignoire et du support en bois est de 5 cm (2 po). La longueur de la (des) pièce(s) de raccordement du robinet doit être suffisante pour se prolonger au-delà de cette dimension et avoir assez d'espace pour assembler la quincaillerie (comme les écrous de blocage, les raccords d'alimentation en eau, etc.) nécessaire pour l'installation. Pour les unités montées en dessous, l'épaisseur combinée de la coquille de la baignoire est de 1,2 cm (½ po) et le support de montage en dessous ne doit pas dépasser la longueur de la (des) pièce(s) de raccordement du robinet, y compris la quincaillerie d'assemblage.

## Installation de l'évacuation du trop-plein Fuzion™



Assemblez conformément aux codes locaux de plomberie et de construction.

- 1 Identifiez la trousse d'évacuation du trop-plein fournie avec votre baignoire. Retirez et ouvrez le paquet de l'évacuation et confirmez qu'il ne manque pas de pièces.
- 2 Retirez les rondelles et les écrous du raccord de trop-plein.
- 3 Placez un petit boudin de mastic de plombier, de silicone ou d'agent d'étanchéité similaire approuvé autour de la partie inférieure de la bride supérieure du raccord de trop-plein.
- 4 Placez le raccord de trop-plein dans le trou de trop-plein de la baignoire (figure 4).
- 5 Sous l'unité, placez la rondelle en caoutchouc, puis l'écrou de blocage sur le raccord de trop-plein, puis serrez fermement. Prenez soin de ne pas trop serrer.
- 6 Assemblez le reste des pièces de l'évacuation comme dans l'illustration.
- 7 Une fois l'évacuation complètement installée, vérifiez que l'eau s'évacue correctement. Si l'unité ne s'évacue pas correctement, rectifiez le problème avant de continuer l'installation de la baignoire.



L'installateur est responsable de l'étanchéité de l'installation de l'évacuation et du trop-plein. Toute fuite de l'évacuation est exclue de la garantie Jacuzzi Luxury Bath de ce produit.



EN OPTION – si le cadre en bois Fuzion™ n'est pas utilisé, veuillez passer à l'étape 2 dans la section Installation en dessous.

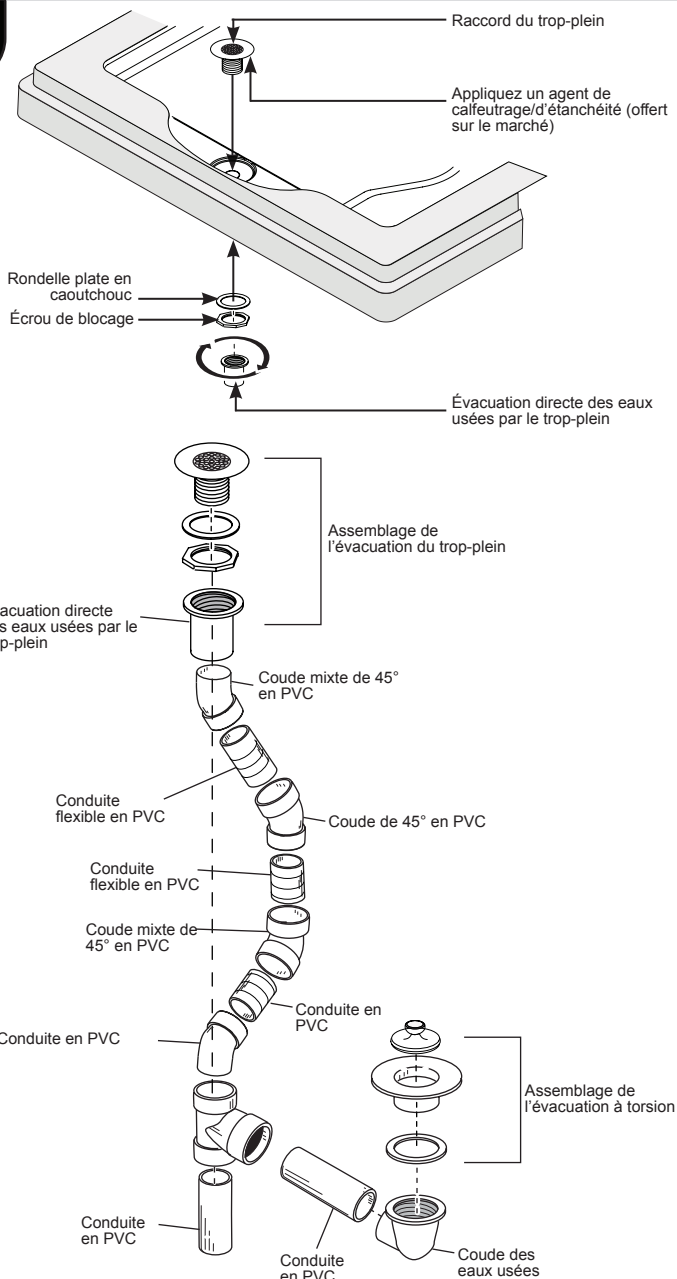


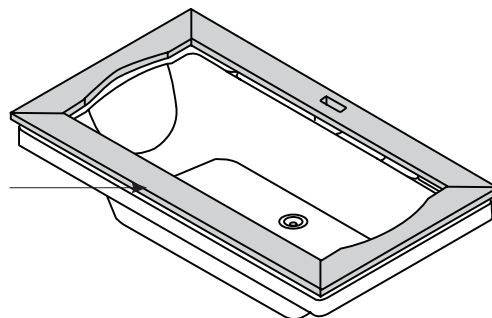
Figure 4. installation du trop-plein

## Installation du cadre Fuzion™



Si vous installez une baignoire Fuzion™, veuillez vous reporter au guide d'installation du cadre Fuzion™ (n° GL44000) avant de continuer. Terminez l'installation et les étapes d'assemblage conformément au guide d'installation du cadre Fuzion™.

Cadre Fuzion™



## Installation du panneau de commande Fuzion™



Les formes découpées suivantes doivent être propres et libres de toute saleté et de tout adhésif :

- forme découpée du panneau de commande dans le cadre en bois assemblé;
- forme découpée du panneau de commande dans le comptoir assemblé;
- forme découpée du panneau de commande dans la baignoire.

**1** Insérez le connecteur de fil à l'arrière du panneau de commande (figure 5).

**2** Appliquez une petite quantité d'adhésif autour de la base du panneau de commande (figure 6).

**3** Acheminez le fil dans la forme découpée jusqu'à la boîte de commande.

**4** Orientez le panneau de commande de la façon suivante : le logo doit se trouver du côté droit du panneau de commande J4 lorsque vous êtes assis dans la baignoire (le bouton de mise en marche sera du côté droit du panneau de commande ACL J5).

**5** Abaissez le panneau de commande dans la forme découpée et appuyez fermement pour incruster l'adhésif (figure 7).

**6** Reliez le fil à la boîte de commande.

**7** Veuillez passer à l'étape 3 dans la section Installation par le dessus.

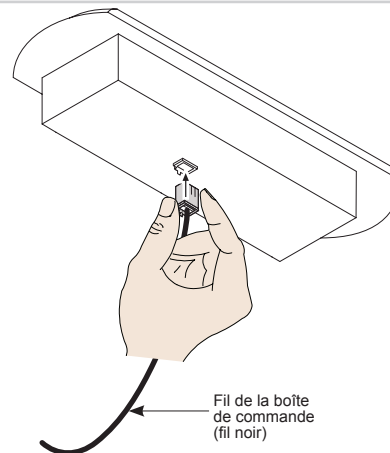


Figure 5 - panneau de commande

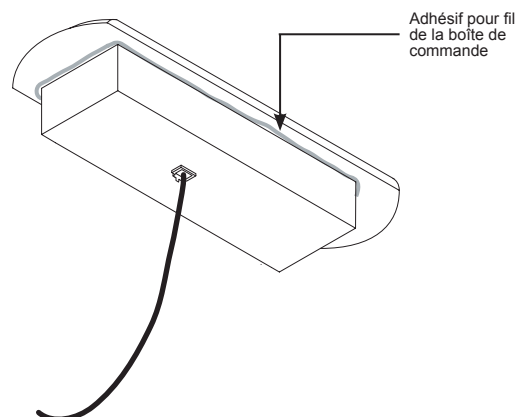


Figure 6 - application de l'adhésif

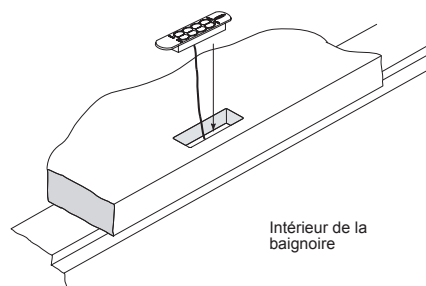


Figure 7 - panneau de commande

## Connexions électriques

Risque de décharge électrique. Reliez seulement à un circuit protégé par un disjoncteur de fuite de terre.

Des précautions de base doivent toujours être prises lorsque vous utilisez des appareils électriques :

- respectez toujours les codes locaux d'électricité et de construction;
- la mise à la terre est requise. L'unité doit être installée et mise à la terre par un électricien qualifié.

Deux circuits distincts protégés par des disjoncteurs de fuite de terre sont requis.

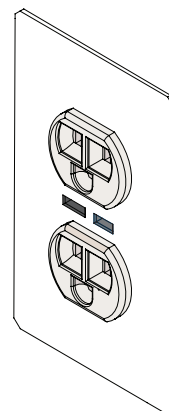
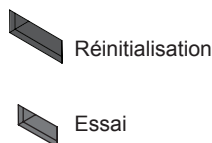
Un circuit séparé de 120 volts CA, 20 ampères avec disjoncteur de fuite de terre est requis pour le bloc pompe/moteur.

Un circuit séparé de 120 volts CA, 15 ampères avec disjoncteur de fuite de terre est requis pour l'appareil de chauffage.

Risque de surchauffe des composants. N'utilisez pas un cordon d'extension électrique pour alimenter cette unité.

Un circuit séparé de 120 volts CA, 20 ampères avec disjoncteur de fuite de terre est requis pour le bloc pompe/moteur.

Au moment du démarrage initial, le système de contrôle électronique à sept boutons passe à un programme automatique d'autodiagnostic pendant 15 à 20 secondes. Pendant le programme de diagnostic, le système n'accepte pas les commandes de l'utilisateur.



## Bloc pompe/moteur et appareil de chauffage

**1** Pour le bloc pompe/moteur, installez une prise double à disjoncteur de fuite de terre de 120 volts CA, 20 ampères sur le colombage sous la baignoire à une distance d'au moins 10 cm (4 po) du sol. La prise double n'est pas fournie.

La prise double doit être installée à une distance de 10 cm (4 po) du sol ou conformément aux codes locaux de construction et d'électricité.

**2** Avec un fil n° 8 en cuivre massif, mettez le bloc pompe/moteur à la terre sur le panneau électrique de la maison ou un lien local approuvé. Un taquet de mise à la terre est fourni sur le bloc pompe/moteur.

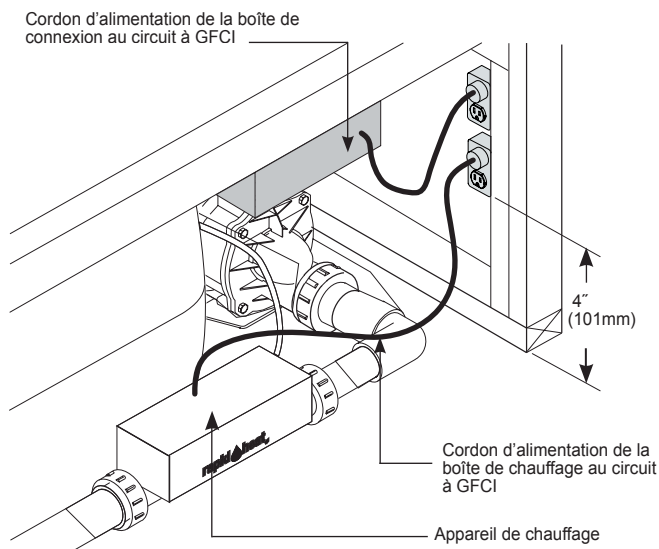
**3** Pour l'appareil de chauffage, installez une prise à disjoncteur de fuite de terre de 120 volts CA, 15 ampères sur le colombage sous la baignoire à une distance d'au moins 10 cm (4 po) du sol. La prise n'est pas fournie.

**4** Avec un fil n° 8 en cuivre massif, mettez l'appareil de chauffage à la terre sur le panneau électrique de la maison ou un lien local approuvé. Un taquet de mise à la terre est fourni sur l'appareil de chauffage.


**5** Lors du démarrage initial et avant chaque utilisation par la suite avec l'appareil en marche (ON), enfoncez le bouton d'essai GFCI. Le bouton de réinitialisation devrait sortir.


Enfoncez ce bouton pour réinitialiser. Si le disjoncteur ne fonctionne pas de cette façon, il y a un courant mis à la terre qui circule ou une défaillance de l'appareil, indiquant la possibilité d'une décharge électrique.

Arrêtez l'appareil et n'utilisez pas la baignoire avant que la source du problème n'ait été identifiée et corrigée.

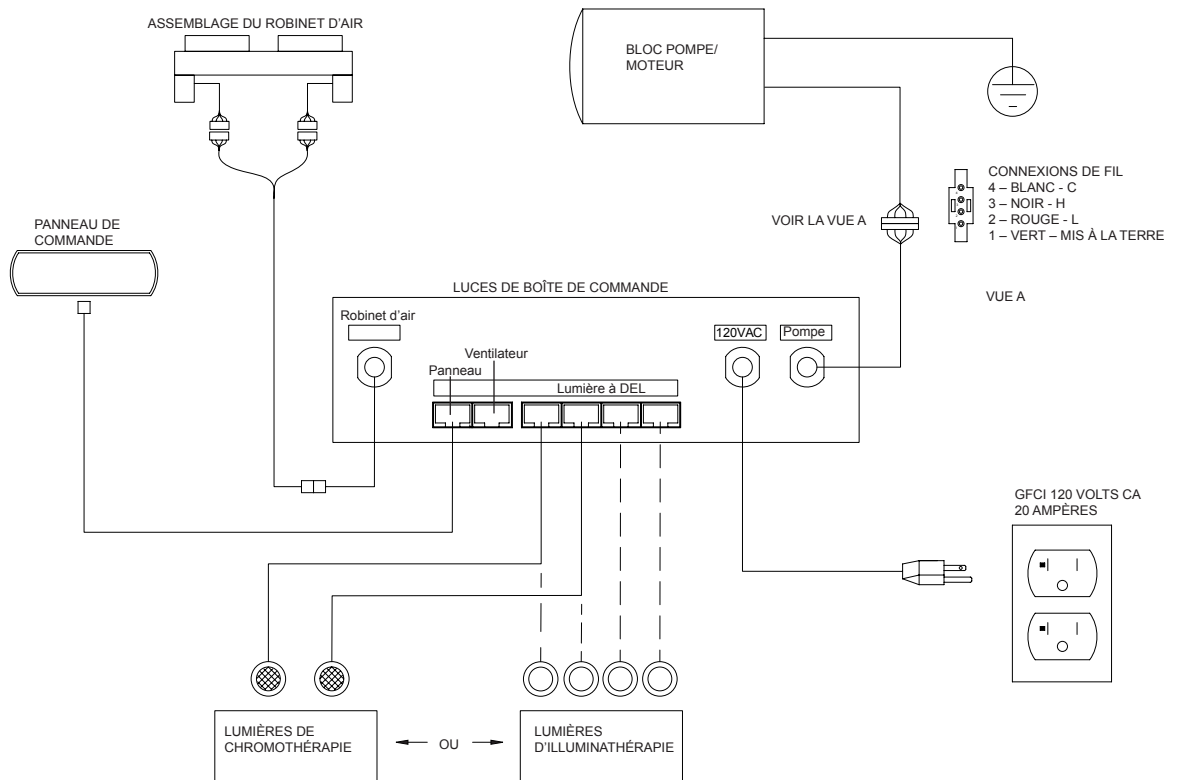


## Illustrations de référence

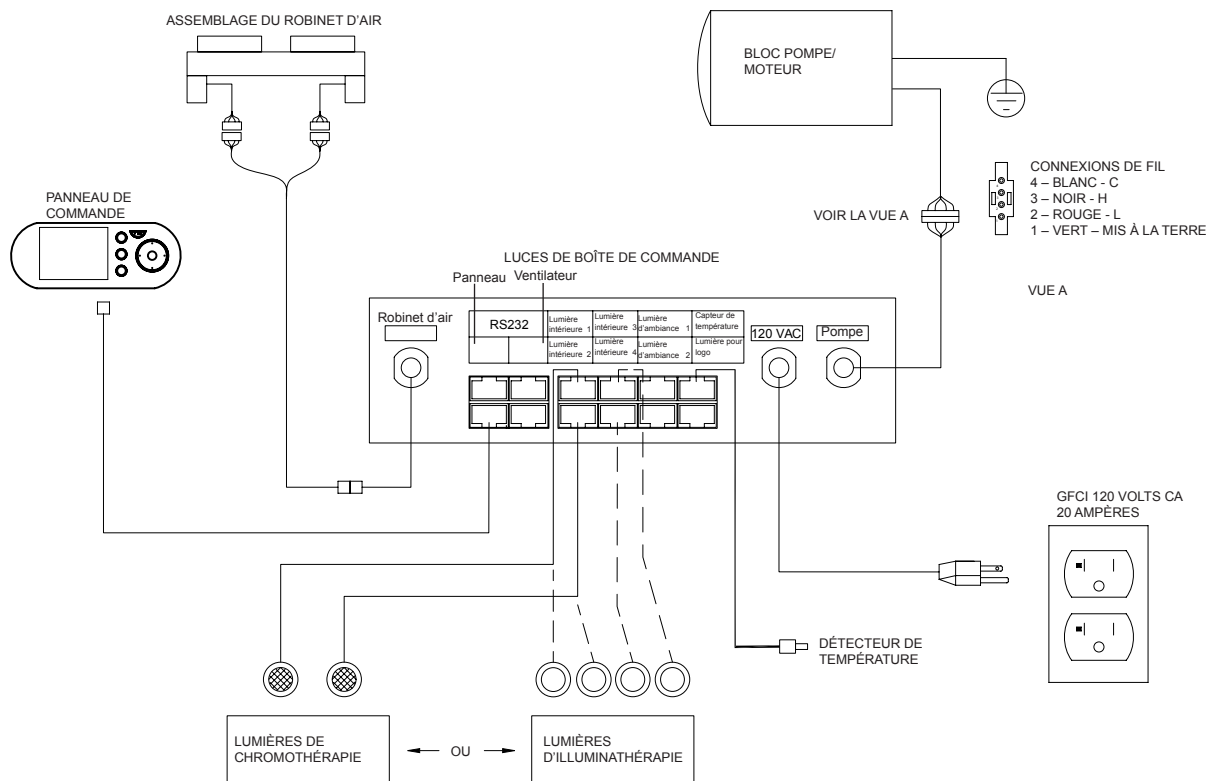
 Ces illustrations ne sont offertes qu'à titre de référence puisque l'unité est vendue entièrement assemblée.

 Risque de décharge électrique. Avant de réparer ces connexions, débranchez tous les câbles d'alimentation électrique des services à 120 et 240 volts CA.

### Diagramme schématique du panneau de commande J4



### Diagramme schématique du panneau de commande J5



## Installation par le dessus



Avant de commencer l'installation, veuillez lire ce qui suit :

- Respectez tous les codes locaux et de construction.
- Déterminez les outils qui seront utilisés pendant l'installation.
- D'autres pièces de plomberie et d'évacuation de la baignoire sont offertes sur le marché dans des quincailleries et des magasins de fourniture de plomberie.
- Les renseignements sur la disposition des tuyaux d'évacuation/du trop-plein sont compris avec votre baignoire et se trouvent dans le manuel des spécifications techniques.

Terminez l'installation de la périphérie de la baignoire (figure 8).

- 1 Installez l'évacuation/le trop-plein conformément aux directives du fabricant. Reportez-vous aussi au manuel de spécifications techniques.



L'installateur est responsable de l'étanchéité de l'installation de l'évacuation. Toute fuite de l'évacuation est exclue de la garantie Jacuzzi Luxury Bath de ce produit.



2 Installez maintenant le robinet. Nous recommandons de faire installer le robinet par un plombier qualifié.



L'installateur est responsable de l'installation adéquate du bec de plomberie et de la conformité aux codes locaux. Jacuzzi Luxury Bath ne garantit pas les connexions des conduites et des raccords d'alimentation en eau, les systèmes de remplissage ou les systèmes d'évacuation/de trop-plein. Elle n'est également pas responsable des dommages à la baignoire qui pourraient survenir pendant l'installation.



Une barrière protectrice ininflammable doit être placée entre le travail de soudure et la baignoire pour éviter d'endommager cette dernière.



3 Préparez le trou de la baignoire en utilisant le gabarit pleine grandeur fourni ou les dimensions de coupe indiquées dans le tableau de spécifications du manuel de spécifications techniques.



Le gabarit peut indiquer des guides pour plus d'une baignoire; assurez-vous alors de sélectionner les lignes de guidage appropriées. Si le montage par en dessous est une option, sélectionnez soigneusement les lignes qui s'appliquent à l'installation que vous effectuez.



4 Terminez tout le travail du support et couvrez-le pour éviter de l'endommager lorsque vous placerez la baignoire.



5 Vous pouvez installer un matériau isolant à l'intérieur de la périphérie de la baignoire.



Prévoyez une ventilation adéquate autour du ventilateur et du bloc pompe/moteur pour obtenir un débit d'air suffisant et assurer le refroidissement.



6 Coupez l'alimentation des circuits spécialisés protégés par un disjoncteur de fuite de terre.



7 Placez un morceau de retailles de bois sur chaque extrémité de la forme découpée – ils serviront de support temporaire avant d'abaisser la baignoire complètement dans l'ouverture (figure 9).

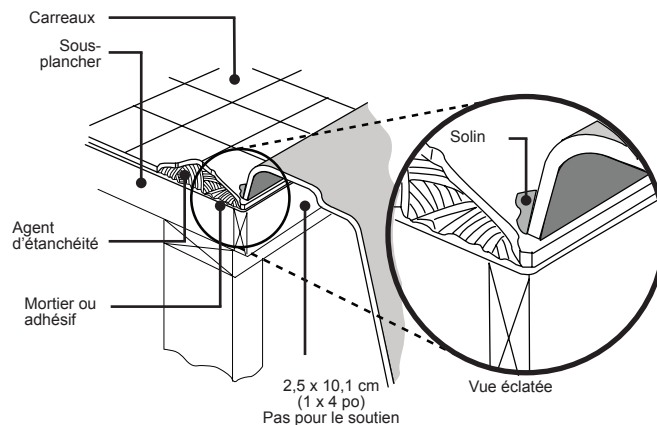


Figure 8

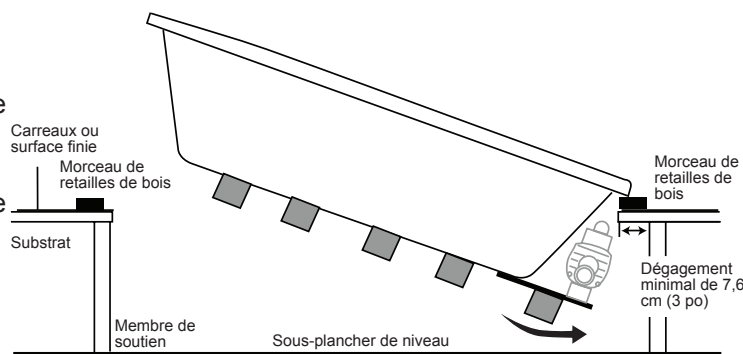



Figure 9

## Installation par le dessus (suite)

- 8 Installez l'unité en insérant l'extrémité du bloc pompe/moteur en premier, en abaissant la baignoire dans l'ouverture, comme dans l'illustration (figure 10).

 N'UTILISEZ PAS les accessoires de plomberie ou les conduites pour abaisser l'unité. Laissez la baignoire s'appuyer sur les supports.

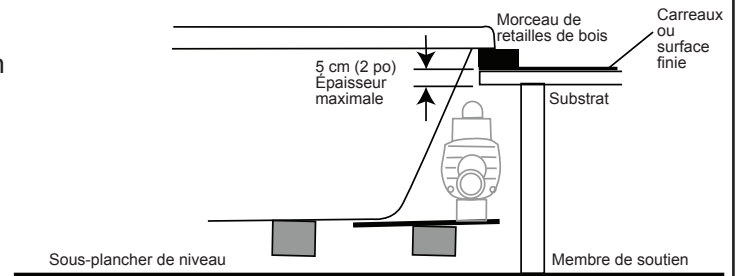


Figure 10

- 9 Examinez tous les raccords, la plomberie et les conduites après l'insertion de la baignoire pour vous assurer que les composants ne sont pas endommagés, débranchés ou en contact avec le substrat de la surface finie ou les membres de soutien.

- 10 Reliez les conduites flexibles d'alimentation en eau au robinet et branchez les cordons d'alimentation dans la prise à disjoncteur de fuite de terre.

- 11 Retirez les morceaux de retailles de bois et abaissez la baignoire complètement dans l'ouverture (figures 11 et 12).

- 12 Alignez la baignoire et reliez l'évacuation.

- 13 Appliquez l'alimentation aux circuits spécialisés protégés par un disjoncteur de fuite de terre et vérifiez le fonctionnement du système.

- 14 Calfeutrez autour du périmètre de la baignoire pour sceller l'espace entre le rebord et le support fini.

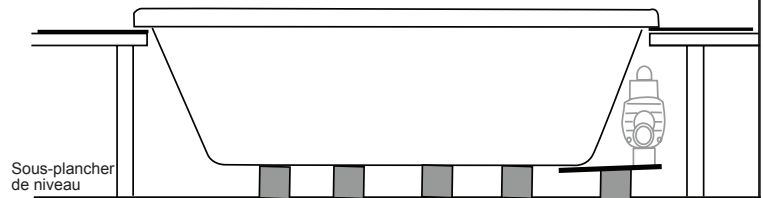


Figure 11

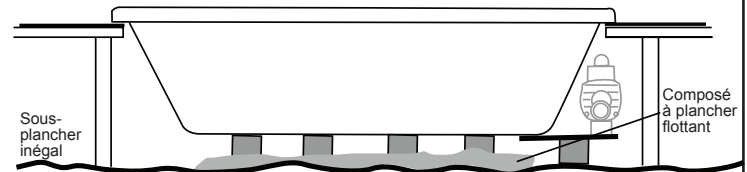


Figure 12

## Installation en dessous

- 1 Installez l'évacuation/le trop-plein conformément aux directives du fabricant.
- ⚠ L'installateur est responsable de l'étanchéité de l'installation de l'évacuation. Toute fuite de l'évacuation est exclue de la garantie Jacuzzi Luxury Bath de ce produit.
- 2 Coupez l'alimentation des circuits spécialisés protégés par un disjoncteur de fuite de terre.
- 3 Installez l'unité à l'endroit désiré. **N'UTILISEZ PAS** les accessoires de plomberie ou les conduites pour transporter ou abaisser l'unité.
- 4 Inspectez tous les raccords, la plomberie et les conduites de commande après l'insertion pour s'assurer que les composants ne sont pas endommagés ou débranchés.
- 5 Alignez la baignoire et reliez l'évacuation.
- 6 Vous pouvez installer un matériau isolant à l'intérieur de la périphérie de la baignoire.
- ⚠ Prévoyez une ventilation adéquate autour du ventilateur et du bloc pompe/moteur pour obtenir un débit d'air suffisant et assurer le refroidissement.
- 7 le support/comptoir selon les dimensions au moyen du gabarit du montage en dessous fourni comme suit :
  - Placez le gabarit de manière à ce que les lignes du montage en dessous désiré soient alignées avec le rebord comme dans l'illustration (figure 13).
  - Au moyen d'un crayon gras, marquez les lignes centrales (notées sur le gabarit). Retirez le gabarit.
  - Mesurez la distance du mur ou d'un autre point fixe jusqu'aux lignes centrales (figure 14).
- 8 Fixez le comptoir à la baignoire. Nettoyez la saleté ou les débris de la partie supérieure du rebord de la baignoire. Appliquez un boudin d'agent d'étanchéité en silicone autour du rebord complet de la baignoire.
- ⚠ N'utilisez pas un adhésif ou un agent d'étanchéité adhésif pour fixer le comptoir à la baignoire. Si de l'entretien ou une rénovation sont requis, le comptoir pourra devoir être enlevé. L'adhésif liera le comptoir à la baignoire de façon permanente. Placez soigneusement le support/comptoir sur la baignoire. Suivez les directives du fabricant pour déterminer le temps de séchage.
- 9 Appliquez un boudin d'agent d'étanchéité en silicone continu autour de tout le joint entre le comptoir et le rebord de la baignoire. Laissez l'agent d'étanchéité sécher conformément aux directives du fabricant.
- 10 Appliquez l'alimentation aux circuits spécialisés protégés par un disjoncteur de fuite de terre et vérifiez le fonctionnement du système.

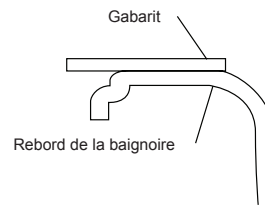


Figure 13 - position du gabarit

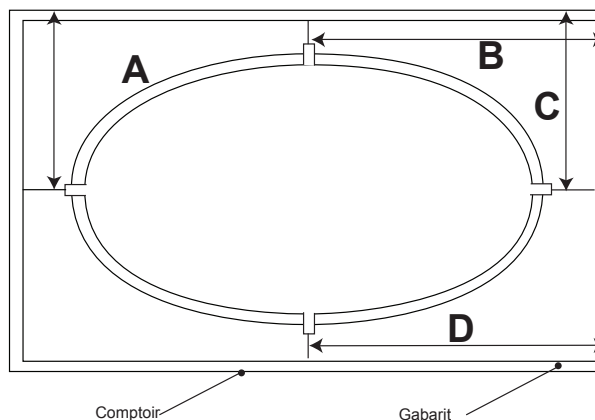


Figure 14 - mesure de la distance

## Nettoyage

Pour éviter de dépolir et d'égratigner la surface de la baignoire, n'utilisez jamais des nettoyants abrasifs. Pour la plupart des surfaces sales, un détergent liquide doux et de l'eau tempérée suffisent. Nous effectuons aussi les recommandations suivantes :

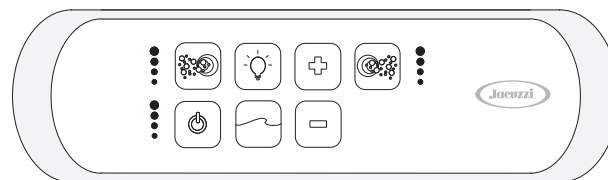
- Retirez le plâtre inversé au moyen d'une lame en bois ou en plastique. Les taches laissées par le plâtre ou le coulis peuvent être éliminées en les frottant légèrement avec un détergent versé sur un chiffon ou une éponge humide. N'utilisez pas des grattoirs en métal, des brosses métalliques ou d'autres outils en métal puisqu'ils endommageront la surface de la baignoire.
- La peinture, le goudron et les autres taches rebelles peuvent être éliminées avec du Fantastik® ou de l'eau savonneuse.
- Les égratignures mineures qui ne pénètrent pas le fini en couleur peuvent être éliminées en ponçant légèrement avec un papier de verre mouillé/sec de 600 grains. Vous pouvez restaurer le fini brillant de la surface acrylique de la baignoire au moyen d'un composé spécial appelé Meguiar's #10 Mirror Glaze. Si ce produit n'est pas disponible, utilisez une pâte à polir automobile suivie de l'application d'une cire automobile en pâte.
- Les égratignures et les rainures majeures qui pénètrent la surface acrylique devront être finies à nouveau. Communiquez avec Jacuzzi Luxury Bath pour trouver un agent de service dans votre région.

## Renseignements généraux d'utilisation

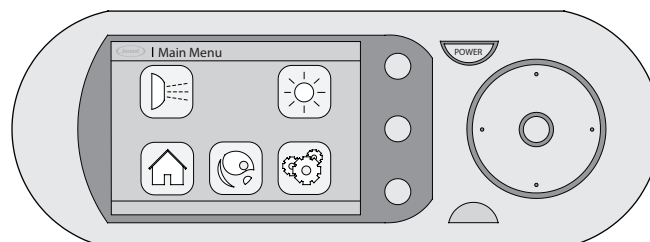
Toutes les baignoires fabriquées par Jacuzzi Luxury Bath sont conçues pour « remplissage et évacuation », ce qui signifie que la baignoire doit être vidée après chaque utilisation et remplie d'eau fraîche par le baigneur suivant. Il s'agit d'une précaution de santé puisque ces baignoires ne sont pas conçues pour conserver de l'eau continuellement comme les piscines ou les spas.

Deux types de panneau de commande sont offerts pour la série de bains tourbillons de luxe. Reportez-vous aux détails ci-dessous :

- Panneau de commande électronique de luxe J4 : les directives d'utilisation de ce panneau sont indiquées ci-dessous.
- Panneau de commande ACL de luxe J5 en option : les directives d'utilisation pour ce panneau sont décrites dans le guide supplémentaire se trouvant dans votre paquet de garantie. Reportez-vous à ce document pour obtenir tous les détails sur l'utilisation (n° de pièce GU47000).




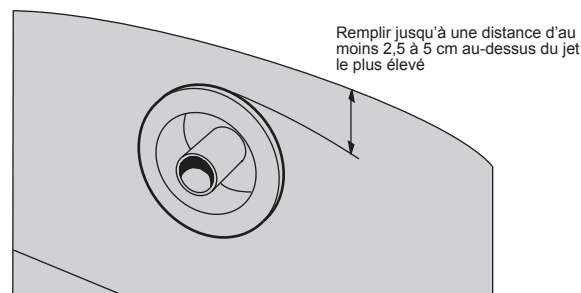
Panneau de commande J4



Panneau de commande J5

Fermez l'évacuation et remplissez la baignoire jusqu'à l'eau soit à au moins 2,5 à 5 cm (1 à 2 po) au-dessus du jet le plus élevé (reportez-vous à la ligne d'eau indiquée dans l'illustration). Ne mettez pas le système du bain tourbillon en marche si les jets ne sont pas complètement immergés dans l'eau. Faire fonctionner le système du bain tourbillon lorsqu'il n'y a pas assez d'eau peut entraîner la pulvérisation de l'eau à l'extérieur de la baignoire. Le fonctionnement du système du bain tourbillon sans une quantité suffisante d'eau endommagera la pompe de recirculation.

 Lorsque vous sortez de la baignoire, le niveau d'eau s'abaissera sous les jets ce qui pourrait entraîner la pulvérisation de l'eau à l'extérieur de la baignoire. Pour empêcher cette pulvérisation, vous devez éteindre (OFF) l'unité avant de sortir de la baignoire.




## Whirlpool Operation

**EN MARCHÉ :** appuyez sur le bouton du jet fois pour mettre les jets du bain tourbillon **EN MARCHÉ**.

Le moteur du bain tourbillon tournera à haute vitesse. Les voyants lumineux à la gauche s'allumeront.

**ÉTEINT :** appuyez sur le bouton du jet une seconde fois pour **ÉTEINDRE** les jets du bain tourbillon.

 En mode d'éclairage à chromothérapie (les voyants lumineux à la gauche du bouton du jet sont faibles), vous devrez appuyer sur le bouton du jet une fois pour retourner au mode de fonctionnement du bain tourbillon, puis une seconde fois pour éteindre le bain tourbillon.



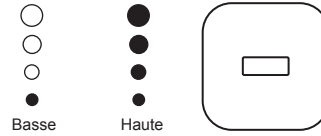


### Diminuer la vitesse

**Appuyez sur le bouton (-) pour diminuer la vitesse du bain tourbillon.**

Il y a deux vitesses du moteur du bain tourbillon, haute et basse. Les voyants lumineux indiquent le réglage.

- 1 voyant = basse vitesse
- 4 voyants = haute vitesse

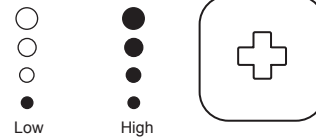


### Augmenter la vitesse

**Appuyez sur le bouton (+) pour augmenter la vitesse du bain tourbillon.**

Il y a deux vitesses du moteur du bain tourbillon, haute et basse. Les voyants lumineux indiquent le réglage.

- 1 voyant = basse vitesse
- 4 voyants = haute vitesse

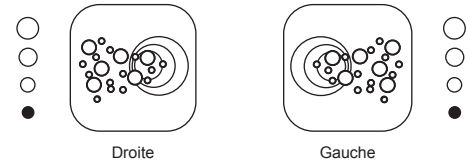


### Débit d'air

**Appuyez sur le bouton du robinet d'air gauche pour activer les robinets d'air gauches, appuyez sur le bouton du robinet d'air droit pour activer les robinets d'air droits.**

La quantité d'air induite dans les jets du bain tourbillon peut être contrôlée de maximum à aucune. Utilisez les boutons (+) et (-) pour augmenter ou diminuer le débit d'air.

Les voyants lumineux immédiatement à la gauche et à la droite des boutons du robinet d'air indiquent la quantité d'air induite.



### Mode à vague

**Appuyez sur le bouton à vague pour faire passer le débit d'air des jets de maximum à aucun.**

Si le mode à vague ne s'active pas, assurez-vous que vous êtes en mode de fonctionnement du bain tourbillon (voyants immédiatement à la gauche du bouton du jet doivent être illuminés).

Les robinets d'air droit et gauche passent simultanément de la position fermée (pas d'air) à la position ouverte (maximum d'air).

Les voyants lumineux afficheront le débit lorsqu'il passe du minimum au maximum. Pour éteindre le mode à vague, appuyez sur le bouton (vague).



## Fonctionnement de la chromothérapie ou de l'illuminothérapie (éclairage)

### Appuyez sur le bouton d'éclairage une fois :

met l'éclairage en couleur EN MARCHE; utilisez les boutons vers le haut et vers le bas pour faire défiler les couleurs ou sélectionner une autre couleur.

### Appuyez sur le bouton d'éclairage une seconde fois :

met l'éclairage blanc EN MARCHE; utilisez les boutons vers le haut et vers le bas pour sélectionner l'intensité de l'éclairage blanc.

### Appuyez sur le bouton une troisième fois :

éteint tout l'éclairage



### Fonctionnement de l'éclairage en couleur

L'éclairage en couleur par défaut est le bleu constant. Appuyez sur le bouton (+) pour activer le défilement des couleurs dans cet ordre : bleu, bleu sardes, vert, jaune, orange, rouge, rose, mauve, puis le défilement retourne au bleu et se répète continuellement. Pour arrêter sur une couleur précise, appuyez sur le bouton (+) à nouveau. Enfoncer sur le bouton (-) active le défilement des couleurs dans cet ordre : bleu, mauve, rose, orange, jaune, vert, bleu sardes, puis le défilement retourne au bleu et se répète continuellement. Pour arrêter sur une couleur précise, appuyez sur le bouton (-) à nouveau.

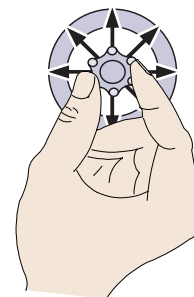
### Fonctionnement de l'éclairage blanc

Il y a cinq intensités d'éclairage blanc. Appuyez sur le bouton (+) pour augmenter l'intensité de l'éclairage. Appuyez sur le bouton (-) pour diminuer l'intensité de l'éclairage.

## Contrôle de la direction et du débit du tourbillon

### Direction -

la direction de tous les jets Jacuzzi, à l'exception des jets rotatifs pour le cou, peut être réglée. Pour modifier la direction du débit d'eau, pivotez la buse du jet jusqu'à l'angle désiré. Les jets peuvent être dirigés individuellement vers tout endroit de votre corps pour vous procurer un hydromassage. Les jets peuvent aussi être réglés de manière à ce qu'ils soient dirigés dans la même direction (sens horaire ou antihoraire) pour faire circuler l'eau d'un mouvement circulaire autour de la baignoire et obtenir un effet à tourbillon complet.




Jets à plusieurs directions

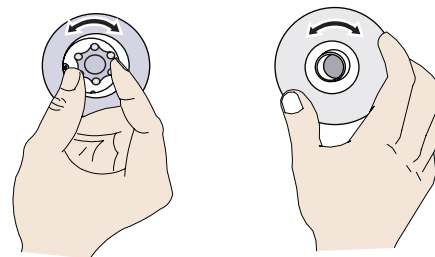
### Force de l'eau -

la plupart des jets Jacuzzi sont conçus afin de pouvoir ajuster le débit. Pour une action robuste, augmentez la force du débit en tournant la buse, ou façade, vers la gauche (sens antihoraire). Pour un effet plus doux, ou pour fermer le jet, tournez la buse, ou façade, vers la droite (sens horaire).

Fermer un ou plusieurs jets peut augmenter la force de l'eau dans le reste des jets.

 La force de l'eau des jets rotatifs pour le cou et de certains jets AccuPro™ ne peut pas être réglée.

 Ne faites jamais fonctionner le système du bain tourbillon lorsque tous les jets sont fermés.



## RapidHeat™

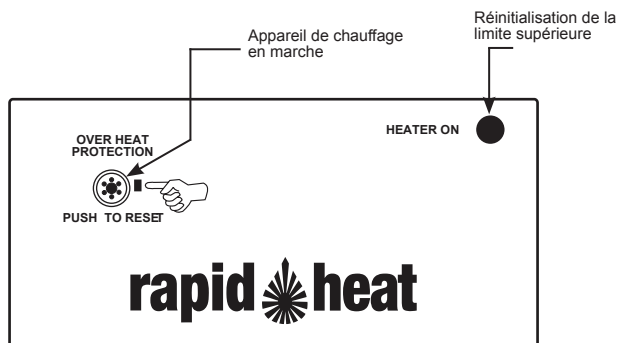
L'appareil de chauffage se met en marche automatiquement dès que le fonctionnement du bain tourbillon est actif. Le fonctionnement de l'appareil de chauffage n'est pas affiché sur le panneau de commande. Il y a un voyant lumineux visible sur l'appareil de chauffage lui-même qui indique que l'appareil de chauffage fonctionne. L'appareil de chauffage aidera à maintenir la température de l'eau dans la baignoire.

## Interrupteur d'aspiration

L'appareil de chauffage est muni d'un interrupteur d'aspiration pré-réglé qui ne lui permettra pas de se mettre en marche si la pompe ne fonctionne pas et si l'eau ne circule pas dans le système du bain tourbillon.

## Interrupteur de limite supérieure

L'appareil de chauffage comprend un interrupteur de limite supérieure exclusif. Ce circuit de sécurité ne sera pas déclenché indûment par l'eau chaude du robinet. Il n'arrêtera l'appareil de chauffage que si le thermostat est défectueux. Pour réinitialiser, appuyez sur le bouton. Si la limite supérieure se déclenche souvent, veuillez communiquer avec nous à [www.jacuzzi.com](http://www.jacuzzi.com) ou en composant le 1-800-288-4002.



## Vidange du système du bain tourbillon

Pour éliminer les accumulations de résidus de la baignoire du système du bain tourbillon, nous vous recommandons de nettoyer votre bain tourbillon au moins deux fois par mois. Pour obtenir de meilleurs résultats, nous vous recommandons de nettoyer votre bain tourbillon après chaque utilisation en utilisant Systems Clean™ notre nettoyant pour plomberie en deux parties exclusif conçu spécialement pour les bains tourbillons. Systems Clean™ est offert par les distributeurs de bains tourbillons Jacuzzi autorisés ou en composant directement 1-800-288-4002.

## Additifs pour baignoire



N'utilisez pas des additifs pour baignoire à l'huile ou à base d'huile.

Si vous désirez utiliser un additif pour baignoire, utilisez seulement une petite quantité de poudre ou de substance cristalline peu moussante; l'action du tourbillon intensifie les propriétés moussantes des savons.

L'utilisation de certaines huiles et d'additifs pour baignoire peut augmenter le niveau d'accumulation de résidus de baignoire dans le système du bain tourbillon et peut causer une fausse lecture des capteurs du niveau d'eau. Si une accumulation excessive persiste, vous devez cesser d'utiliser ces produits.

## Entretien

Pour nettoyer votre baignoire, utilisez simplement une solution de détergent liquide doux non abrasif. Vous pouvez protéger et restaurer le lustre d'une surface acrylique dépolie en appliquant Meguiar's #10 Mirror Glaze, un produit spécifiquement conçu pour être utilisé sur les finis en acrylique. Si le produit Meguiar n'est pas disponible, utilisez une pâte à polir automobile de haute qualité suivie de l'application d'une cire automobile en pâte.



N'utilisez jamais des nettoyeurs domestiques abrasifs sur aucun produit Jacuzzi Luxury Bath.

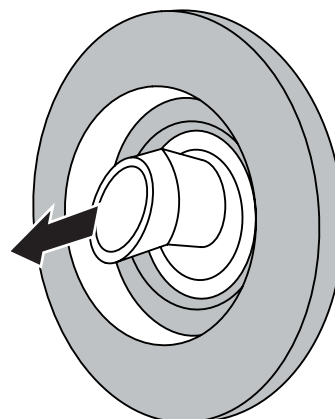
## Réparation de la surface

Les égratignures mineures qui ne pénètrent pas le fini en couleur peuvent être éliminées en ponçant légèrement avec un papier de verre mouillé/sec de 600 grains. Restaurez le lustre au moyen de Meguiar's Mirror Glaze ou d'une cire automobile en pâte. Les égratignures et les rainures majeures qui pénètrent la surface acrylique devront être finies à nouveau. Communiquez avec Jacuzzi Luxury Bath pour trouver un agent de service dans votre région.

## Entretien des jets rotatifs

Si des cheveux ou d'autres types de débris se prennent dans les paliers de ces jets, cela pourrait les empêcher de tourner. Ce problème peut nécessiter leur démontage et leur retrait.

Pour ce faire, agrippez simplement la buse et tirez-la directement hors du boîtier du jet. Le caisson du palier sera fixé à la buse. Ces deux éléments peuvent être séparés en tenant le caisson et en poussant la buse hors de l'arrière du caisson. Après avoir terminé le nettoyage, remontez et réinstallez.



## Entretien du couvercle/tamis d'aspiration

Retirez les cheveux et les débris des couvercles /tamis d'aspiration lorsque cela s'avère nécessaire.

- 1 Retirez la vis centrale et retirez le couvercle d'aspiration.
- 2 Nettoyez le couvercle en contre-balayant les débris des trous.
- 3 Remplacez le couvercle d'aspiration immédiatement après le nettoyage.



Pour le réinstaller, orientez le couvercle/tamis en plaçant la petite encoche dans le bas. Le joint doit être inséré dans la rainure du couvercle/tamis avant de réinstaller sur le raccord d'aspiration.

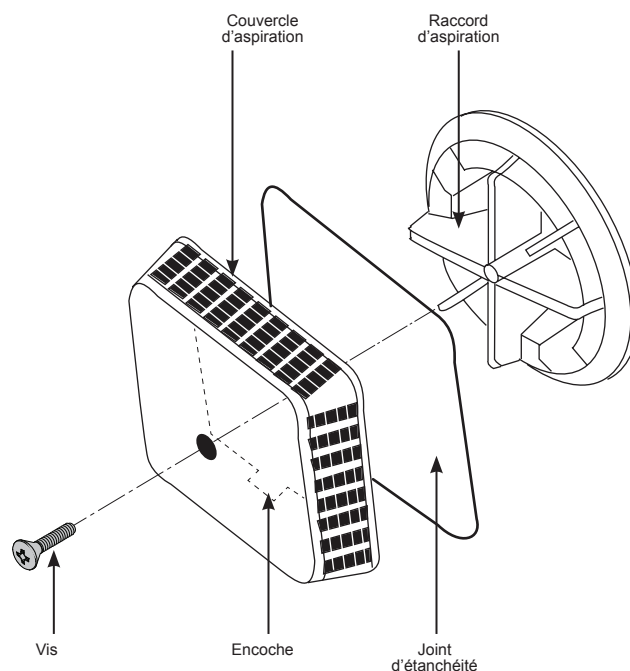


Gardez les cheveux à une distance d'au moins 15 cm (6 po) du raccord d'aspiration en tout temps lorsque le système à tourbillon fonctionne. Les cheveux longs (au-delà des épaules) doivent être attachés près de la tête ou encore, nous suggérons le port d'un bonnet de bain.



Ne faites pas fonctionner le système du bain tourbillon lorsque le couvercle/tamis d'aspiration est retiré!

Il s'agit d'un dispositif de sécurité et il doit toujours être en place sur le raccord d'aspiration pour minimiser les risques de piégeage des cheveux ou du corps.



**Procédures de dépannage**

PROBLÈME	CAUSES PROBABLES	REMÈDE
Le bloc pompe/moteur ne se met pas en marche	Il n'y a pas d'alimentation vers la pompe/le moteur	Réinitialisez le disjoncteur de fuite de terre
	Le bloc pompe/moteur n'est pas branché	Insérez la fiche fermement dans la prise
	Le bloc pompe/moteur est défectueux	Assurez-vous que le panneau de commande soit relié à la boîte de commande Communiquez avec Jacuzzi Luxury Bath au 800-288-4002
Le bloc pompe/moteur fonctionne, mais les jets entièrement réglables ne fonctionnent pas	Les jets sont fermés	Ouvrez les jets en les tournant dans le sens horaire
	Le couvercle/tamis d'aspiration peut être obstrué	Avec le moteur ÉTEINT, retirez le couvercle/tamis d'aspiration et retirez les débris. Remplacez le couvercle d'aspiration avant de faire fonctionner
Le bloc pompe/moteur fonctionne, mais l'air n'est pas injecté dans l'eau	Les soupapes d'air sont fermées	Ouvrez les soupapes d'air
Fuite d'eau des unions de pompe	Trop serrés, le joint torique peut être coincé ou mal appuyé, pas assez serrés	Desserrez les unions, vérifiez et appuyez le joint torique à nouveau. Si le joint torique était coincé et s'est déformé, remplacez-le (reportez-vous au numéro ci-dessous). Serrez les écrous d'union manuellement seulement.
Le bloc pompe/moteur s'éteint par lui-même avant que la période ne soit écoulée.	La protection thermique du moteur a désactivé le bloc pompe/moteur à cause d'une surchauffe (faible tension d'alimentation)	Laissez le moteur se refroidir; la protection thermique se réinitialisera. Vérifiez la ventilation (vérifiez la tension d'alimentation)
	Le disjoncteur de fuite de terre est déclenché	Réinitialisez le disjoncteur de fuite de terre S'il continue à se déclencher, n'utilisez pas cette unité.
	Câblage d'alimentation inadéquat	Débranchez l'unité et faites corriger le problème par un électricien agréé avant de l'utiliser à nouveau. Consultez un électricien agréé pour faire réparer le câblage.
L'éclairage à chromothérapie ne fonctionne pas	Le connecteur s'est desserré	Communiquez avec Jacuzzi Luxury Bath au 800-288-4002



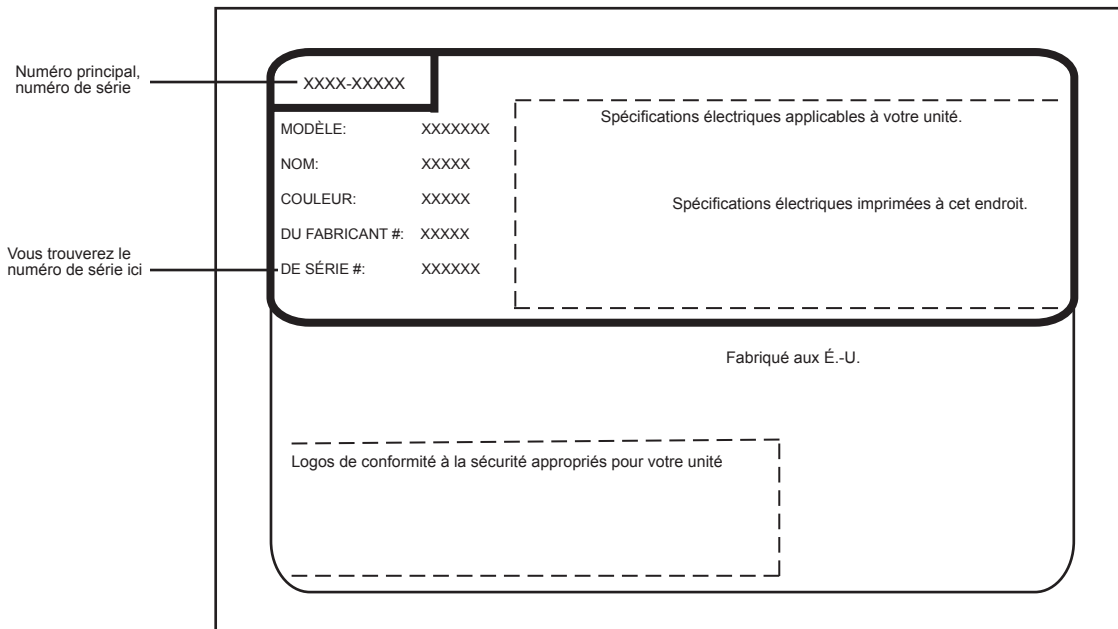
Si l'unité est encore couverte par la garantie, communiquez avec le service technique de Jacuzzi Whirlpool Bath au 1-800-288-4002 avec le numéro de série de votre baignoire avant d'effectuer toute réparation. Le numéro de série est situé sur la plaque de spécifications/numéro de série (reportez-vous à la page suivante).

## Service autorisé

Si vous avez besoin d'une référence pour une entreprise de service près de chez vous ou si vous avez des questions concernant le fonctionnement ou l'entretien, veuillez communiquer avec notre service à la clientèle au 1-800-288-4002. Visitez notre site Web à <http://www.jacuzzi.com> pour les produits, les services et une copie en ligne de ces directives d'installation et d'utilisation.

Lorsque vous demandez une visite de service ou de l'aide technique, ayez le modèle et le numéro de série de votre unité à la portée de la main. Ces renseignements se trouvent sur la fiche d'enregistrement du produit fournie avec votre unité. Si la fiche a été égarée, ces renseignements se trouvent sur l'étiquette de spécifications/numéro de série située sur l'unité elle-même. Cette étiquette se trouve sur le mur de la baignoire près du moteur du ventilateur.

### ÉTIQUETTE DE SPÉCIFICATIONS/NUMÉRO DE SÉRIE



LES SPÉCIFICATIONS DU PRODUIT PEUVENT ÊTRE MODIFIÉES SANS PRÉAVIS.

UTILISEZ LE MANUEL DE SPÉCIFICATIONS TECHNIQUES FOURNI AVEC CE PRODUIT.

Jacuzzi® Luxury Bath a obtenu les classifications de code (normes) applicables habituellement offertes à l'échelle nationale pour les produits de ce type. L'installateur/le propriétaire doivent déterminer la conformité au code local précis avant d'installer le produit. Jacuzzi® Luxury Bath n'effectue aucune représentation ou garantie relatives à la conformité au code et elle ne sera pas responsable de cette dernière.

Jacuzzi® Luxury Bath

14525 Avenue Monte Vista

Chino, Californie, 91710 É.-U.

1-800-288-4002

[www.jacuzzi.com](http://www.jacuzzi.com)

# Garantie limitée à vie sur les baignoires de marque Jacuzzi Luxury pour les collections Comfort, Comfort Plus, Pure Air®, Pure Air® II et Luxury™ (« Baignoire ») qui a acheté la Baignoire pour un usage personnel ou unifamilial résidentiel (« Utilisateur »). L'Entreprise réparera ou remplacera, à son entière discrétion, la Baignoire ou son équipement conformément aux conditions et modalités suivantes. Cette garantie ne s'applique pas aux Baignoires sans marque fabriquées par l'Entreprise.

## COUVERTURE DE LA GARANTIE

Jacuzzi Luxury Bath (« l'Entreprise ») offre la garantie limitée à vie expresse suivante à l'acheteur original des produits Jacuzzi® Luxury Bath offerts au sein des collections Comfort, Comfort Plus, Pure Air®, Pure Air® II et Luxury™ (« Baignoire ») qui a acheté la Baignoire pour un usage personnel ou unifamilial résidentiel (« Utilisateur »). L'Entreprise réparera ou remplacera, à son entière discrétion, la Baignoire ou son équipement conformément aux conditions et modalités suivantes. Cette garantie ne s'applique pas aux Baignoires sans marque fabriquées par l'Entreprise.

## GARANTIE À VIE SUR LES BAIGNOIRES

L'Entreprise offre à l'Utilisateur de la Baignoire une garantie limitée à vie non transférable que la coquille conservera son intégrité structurelle et sa configuration et sera exempte de fuite d'eau causée par un défaut dans sa coquille. La garantie ne couvre que la coquille de la baignoire et la pompe, les jets, les commandes et le ventilateur installés par le fabricant contre les défauts de matériaux ou de fabrication. La garantie ne s'applique pas aux modèles de présentation ou aux options ou aux accessoires qui sont couverts en vertu de notre garantie limitée de quatre-vingt-dix (90) jours décrite ci-dessous. La couverture de la garantie commence à la date où l'unité a été achetée par l'Utilisateur et dès la réception par l'Entreprise d'une fiche d'enregistrement de garantie dûment remplie, comme il est décrit ci-dessous.

## GARANTIE DE DEUX ANS SUR LA MAIN D'OEUVRE POUR TOUS LES COMPOSANTS INSTALLÉS EN USINE

Notre garantie limitée sur la main d'œuvre est offerte pendant une période de deux (2) ans à compter de la date où l'unité a été achetée par l'Utilisateur, mais ne devant pas dépasser trois (3) ans à compter de la date de fabrication. Tous les composants installés en usine (comme la pompe, le moteur, le ventilateur et la plomberie) sont couverts en vertu de notre garantie sur la main d'œuvre contre les pannes causées par des défauts de matériaux et de main d'œuvre.

## GARANTIE LIMITÉE DE QUATRE-VINGT-DIX JOURS (PIÈCES SEULEMENT) SUR LES OPTIONS ET LES ACCESSOIRES

Notre garantie limitée sur les options et les accessoires est en vigueur pendant quatre-vingt-dix (90) jours pour les pièces seulement. Notre garantie couvre les options et les accessoires fabriqués (comme les trousseaux de bec de remplissage d'évacuation, les trousseaux de parement, les jupes, les moniteurs vidéo, les écrans plats ACL et les lecteurs MP3 et les autres appareils de musique et de vidéo et les appareils de chauffage en option) contre les défauts de matériaux ou de fabrication. La couverture de garantie commence à la date où l'option ou l'accessoire ont été originalement achetés par l'Utilisateur. Ces articles peuvent être couverts par la garantie d'un fabricant qui peut être plus longue que celle offerte par cette garantie limitée. Veuillez confirmer avec le fabricant la durée de la garantie pertinente pour les options et les accessoires.

## LIMITES DE LA GARANTIE

Notre garantie limitée ne couvre pas les défauts, les dommages ou les pannes causés par le transporteur, l'installateur ou d'autres personnes, les animaux ou les rongeurs ou décollant, sans en exclure d'autres, de l'un ou l'autre des éléments suivants : la manipulation négligente (soulever l'unité par la plomberie, abraser le fini, etc.) y compris sa propre négligence; les modifications de toute sorte pour quelque raison que soit (y compris les modifications effectuées pour satisfaire les codes locaux); une mauvaise installation (y compris toute installation non conforme aux directives et spécifications fournies avec l'unité); les connexions fournies par l'installateur de l'équipement; une mauvaise tension d'alimentation ou une modification électrique non autorisée; une mauvaise utilisation; un fonctionnement inadéquat ou l'absence d'une routine d'entretien appropriée; le fonctionnement de l'unité sans la quantité minimale d'eau précisée ou à une température d'eau inappropriée; l'utilisation de nettoyants abrasifs ou inappropriés ou les catastrophes naturelles, comme les éclairs, les inondations, les tremblements de terre, etc.

De plus, L'ENTREPRISE NE SERA PAS RESPONSABLE DES DOMMAGES CONSÉCUTIFS OU INDIRECTS ou des pertes découlant de toute cause (par ex., dommages d'eau aux tapis, plafonds, carreaux, marbre, perte d'utilisation, etc.), y compris sa propre négligence; les dommages causés à, concernant ou découlant : de pièces plaquées lorsque des produits chimiques de piscine et/ou de spa sont utilisés dans l'unité ou lorsque l'eau est dure; de l'équipement de baignoire en option non fabriqué par l'Entreprise, mais fourni par le dépositaire, l'installateur ou l'Entreprise; d'un usage antérieur de l'unité à titre de présentoir fonctionnel; ou de défauts qui auraient dû être découverts avant l'installation.

Cette garantie limitée ne comprend pas : la main d'œuvre, le transport ou les autres frais encourus pour le retrait et/ou la réinstallation de l'unité originale et/ou l'installation d'une unité de rechange; les frais encourus pour obtenir l'accès pour effectuer la réparation; ou les dommages causés par la perte d'utilisation, y compris la perte de ventes, de profits ou d'avantages concurrentiels de toute sorte quelles que soient les circonstances. Les baignoires sont exclues de toute couverture de garantie si un ajout, une suppression ou une modification de toutes sortes a été effectué à l'unité (ou à un de ses composants). La couverture de garantie est fournie aux États-Unis d'Amérique et au Canada seulement.

## EXCLUSION DES GARANTIES IMPLICITES

LES GARANTIES IMPLICITES DE VALEUR MARCHANDE ET D'ADAPTATION À UN USAGE PARTICULIER SONT ENTIÈREMENT DÉCLINÉES OU DANS LA MESURE LA PLUS GRANDE PERMISE PAR LA LOI.

REMARQUE : Cette garantie vous confère des droits légaux précis et vous pouvez aussi avoir d'autres droits qui varient d'une province à l'autre. Il n'y a pas de garanties qui s'appliquent aux produits Jacuzzi Luxury Bath à l'exception de ce qui est expressément indiqué aux présentes ou impliqué par les lois fédérales et provinciales en vigueur. L'Entreprise ne sera pas responsable des déclarations ou des représentations effectuées sous toute forme qui vont au-delà, qui sont plus vastes ou qui ne sont pas conformes à la documentation autorisée ou aux spécifications fournies par l'Entreprise. Certaines provinces ne permettent pas les limites sur la durée des garanties limitées ou l'exclusion ou la limite des dommages consécutifs ou indirects; par conséquent, les limites précédentes peuvent ne pas s'appliquer à votre cas.



Luxury Bath by Jacuzzi®  
HD84000

Jacuzzi® Luxury Bath  
14525 Monte Vista Avenue  
Chino, California 91710

**RETOUR DE L'ENREGISTREMENT DE LA GARANTIE**

Pour enregistrer votre produit, veuillez visiter notre site Web, Jacuzzi.com, cliquez sur « Bath and Showers » (baignoires et douches), puis sélectionnez ONLINE WARRANTY REGISTRATION (enregistrement de la garantie en ligne) dans la partie supérieure de la page. On vous demandera d'entrer le numéro de série de votre produit, suivi des renseignements d'enregistrement de votre garantie. Ou encore, vous pouvez aussi enregistrer votre produit en remplissant la fiche ci-dessous et en l'envoyant à Jacuzzi à l'adresse indiquée.

L'enregistrement de garantie ci-joint DOIT être rempli par l'acheteur dans un délai de trente (30) jours de l'achat et reçu par Jacuzzi Luxury Bath afin que cette garantie soit en vigueur.

**RESPONSABILITÉS DES AUTRES**

L'installateur ou l'entrepreneur qui agit au nom de l'utilisateur doit examiner l'unité avant de l'installer. Il doit s'assurer que l'unité est libre de défauts ou de dommages. Des avis sont placés sur et dans l'unité ainsi que sur la boîte d'expédition avisant l'installateur de cette responsabilité. En cas de problème, l'unité ne doit pas être installée. L'Entreprise n'est pas responsable des pannes ou des dommages qui auraient pu être découverts, réparés ou évités grâce à une inspection et un essai adéquats (y compris un essai d'eau approprié) avant l'installation.

Le transporteur est responsable des dommages qui surviennent pendant le transport. L'utilisateur ou l'installateur DOIT ouvrir la boîte et examiner l'unité lorsqu'elle est livrée. Si des dommages sont découverts, ils doivent être immédiatement signalés au vendeur et au transporteur par écrit et une inspection doit être demandée. Si le transporteur ne répond pas, vous devez le signaler au vendeur et au transporteur. Vos réclamations de transport doivent être présentées dans un court délai.

L'installateur et/ou l'entrepreneur sont responsables des dommages survenant pendant l'installation et l'utilisateur est responsable des dommages survenant par la suite.

Le fabricant d'équipement est entièrement responsable de toute défaillance des équipements en option à l'exception de ce qui est prévu ci-dessus et cette responsabilité ne se prolonge pas ou ne s'applique pas aux pièces de rechange pour les options et les accessoires. Les pièces de rechange seront couvertes par le fabricant original de l'équipement.

Le distributeur ou le dépositaire doit connaître les exigences relatives aux codes locaux et aviser l'entrepreneur qui effectuera l'installation et/ou l'utilisateur de ces exigences au moment de l'achat. L'Entreprise n'est pas responsable des frais encourus pour modifier un produit pour se conformer à un code, comme les codes de construction de la ville, du comté ou de l'État aux États-Unis ou les codes municipaux ou provinciaux au Canada.

**SERVICE DE GARANTIE**

Pour la commodité des clients, l'Entreprise conserve une liste de réparateurs indépendants qui effectuent les réparations requises en vertu de la garantie. Ces personnes ne sont pas des agents ou des représentants de l'Entreprise et ne peuvent pas lier l'Entreprise par leurs paroles ou leur comportement.

L'Entreprise fournit le service de garantie décrit ci-dessus lorsque les conditions suivantes sont respectées : la panne est de nature ou de type couvert par la garantie; l'utilisateur a informé l'agent de service Jacuzzi Luxury Bath autorisé ou un représentant du service de la garantie de la nature du problème pendant la période de garantie; des preuves concluantes (par ex., une preuve d'achat ou d'installation) est fournie par l'utilisateur prouvant que la panne s'est produite ou a été découverte pendant la période de garantie; un réparateur indépendant autorisé ou un représentant de l'Entreprise a eu la permission d'inspecter l'unité pendant les heures normales d'affaire dans un délai raisonnable après la signalisation du problème par l'utilisateur. Afin d'obtenir le service en vertu de la garantie, communiquez avec Jacuzzi Luxury Bath à :

jacuzzi.com  
 ou  
 Service de garantie  
 14525 Avenue Monte Vista  
 Chino, Californie 91710 É.-U.  
 Composez le : 1-(800) 288-4002

Pour obtenir un remplacement de garantie pour les composants installés en usine pour les options et les accessoires fournis par l'Entreprise et fabriqués et fournis par l'Entreprise, composez le numéro ou écrivez à l'adresse indiqués ci-dessus. Fournissez une description du problème et une preuve d'achat. On vous indiquera comment obtenir des pièces de rechange et où retourner, à vos frais, le(s) composant(s), l'option (les options) ou l'accessoire (les accessoires) défectueux.

Toutes les pièces ou l'équipement de rechange et les réparations seront garantis pendant la période de garantie restante de la(es) pièce(s) remplacée(s).

L'obligation de garantie de l'Entreprise sera acquittée au moment de la remise du remplacement ou de la réparation. Si le client refuse le remplacement ou la réparation, l'obligation de garantie de l'Entreprise est alors terminée.

Garantie limitée de quatre-vingt-dix jours seulement sur les pièces des accessoires

Garantie limitée de quatre-vingt-dix jours seulement sur les pièces des accessoires

JACUZZI LUXURY BATH  
 HD84000

Pour effectuer votre enregistrement, visitez notre site Web à www.jacuzzi.com ou remplissez et postez cette fiche à l'adresse indiquée au verso, et ce, dans un délai de trente (30) jours de la date d'achat afin que cette garantie soit en vigueur.

Nom de l'acheteur \_\_\_\_\_  
 Adresse de l'acheteur \_\_\_\_\_  
 Ville \_\_\_\_\_ Province \_\_\_\_\_ Code postal \_\_\_\_\_

Date d'achat \_\_\_\_\_  
 Nom du modèle \_\_\_\_\_  
 Numéro de série \_\_\_\_\_  
 Nom du dépositaire \_\_\_\_\_  
 Adresse du dépositaire \_\_\_\_\_

1. Comment avez-vous entendu parler de ce produit Jacuzzi® ?  
 Publicité  Article dans une revue/un journal  
 Visite un détaillant/fournisseur de plomberie  Pages jaunes  
 Constructeur/plombier/rénovateur  Décorateur/architecte  
 Visité un détaillant/magasin de rénovation  
 Bouche à oreille...  Ami/parent/connaissance  
 Autre (veuillez préciser) \_\_\_\_\_

2. Qui est la première personne vous ayant donné des renseignements précis au sujet de ce produit (spécifications, prix, etc.) ?  
 Dépositaire/fournisseur de plomberie  Constructeur  Rénovateur  
 Entrepriseur en plomberie  Détaillant/magasin de rénovation  
 Décorateur/architecte  Déjà installé  
 Style  Service de garantie  Caractéristiques du produit  
 Nom de la marque  Prix  Hydrothérapie  
 Revente de la résidence \_\_\_\_\_  
 Autre \_\_\_\_\_

4. Qui a finalement choisi le produit que vous avez acheté ?  
 Moi  Mon conjoint  Moi et mon conjoint ensemble  
 Autre membre de la famille  Décorateur/architecte  
 Constructeur/plombier/rénovateur  Déjà installé

5. Qui l'a installé ?  Déjà installé/nouvelle résidence  
 Entrepreneur/plombier lors de la rénovation  
 Moi/mon conjoint lors d'une rénovation  
 Autre \_\_\_\_\_

6. Quelle est la valeur actuelle sur le marché de cette propriété ?  
 Veuillez l'évaluer en dollars \_\_\_\_\_ ans

7. Quel est l'âge du cher du ménage ? \_\_\_\_\_ ans  
 Elier  Lasco  Price Plister  Aqua Glass  
 Kohler  American Standard  Sterling  
 Autre (précisez) \_\_\_\_\_

9. Combien de temps avez-vous magasiné avant d'acheter cette unité ?  
 1 jour  2 à 6 mois  
 2 à 7 jours  6 mois à 1 an  
 1 à 2 semaines  1 à 2 ans  
 2 à 4 semaines  +2 ans  
 1 à 2 mois

10. Depuis combien de temps approximativement habitez-vous dans cette résidence ?  
 11. Veuillez indiquer, approximativement, le revenu annuel total de votre ménage  
 Jusqu'à 24 999 \$  50 000 à 74 999 \$  
 25 000 à 29 999 \$  75 000 à 99 999 \$  
 30 000 à 39 999 \$  100 000 à 149 999 \$  
 40 000 à 49 999 \$  150 000 \$ et plus

12. Est-ce que votre processus d'achat a été... ?  
 Très facile  Facile  Difficile  Très difficile

13. Est-ce que vous connaissez le système de jets breveté de Jacuzzi avant votre achat ?  
 Non, je ne le connaissais pas  Je le connaissais très bien



**FICHE D'ENREGISTREMENT DE LA GARANTIE**