



# Specifications

## MODEL

- PT62827 CONTENTO™ FREESTANDING TUB FILLER - CHROME
- PT62826 CONTENTO™ FREESTANDING TUB FILLER - BRUSHED NICKEL
- PT62817 CONTENTO™ FREESTANDING TUB FILLER - MATTE BLACK
- PT62818 CONTENTO™ FREESTANDING TUB FILLER - BRUSHED BRONZE

## FEATURES

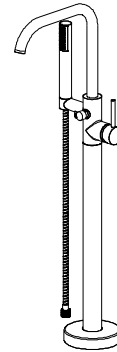
- Ceramic Cartridge
- Lever Style Handle
- 1/2" IPS connections
- Min Flow Rate: 2.4 gpm at 20 PSI
- Hand Shower Max Flow Rate: 1.8gpm at 80 PSI
- **PT61000 ROUGH-IN MANIFOLD KIT REQUIRED FOR CONCRETE INSTALLATIONS**

## CODE COMPLIANCE

- ASME A112.18.1 / CSA B125.1
- IAPMO Certified

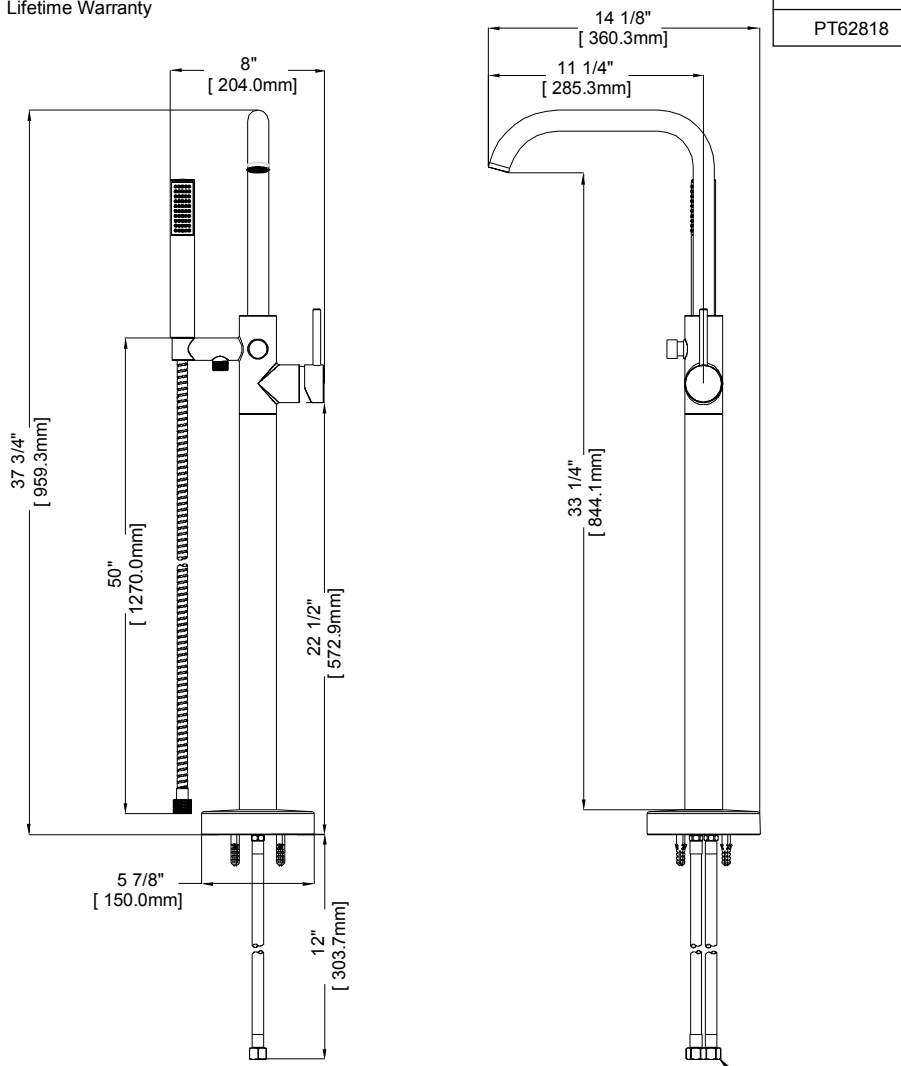
## WARRANTY

- Limited Lifetime Warranty



CONTENTO™ FREESTANDING TUB FILLER

MODEL	FINISH
PT62827	Chrome
PT62826	Brushed Nickel
PT62817	Matte Black
PT62818	Brushed Bronze



INSTALLATION DIMENSIONS



Jacuzzi reserves the right to make changes in specifications and materials and to change and discontinue models, both without the notice or obligation. Dimensions are for reference only.