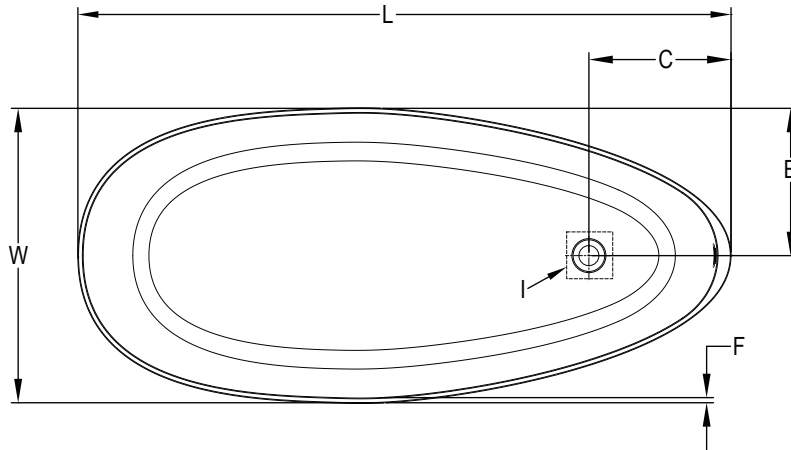


Ileana™ Technical Specifications

Letter	Description	Freestanding Soaking Bath Model
-	Drain Location	Universal Drain
-	Cutout	N/A
-	Total Weight	928 lbs (420 kg)
-	Floor Loading	86.2 lb/ft2 (420.8 kg/m2)
-	Operating Gallons (Min/Max)	87 Gal. (329 L)
-	Product Weight	202 lbs (91.6 kg)
-	Soaking Depth	17" (431.8 mm)
L	Outer Length	67" (1701.8 mm)
W	Outer Width	30" (762 mm)
H	Overall Height	24-1/2" (622.3 mm)
A	Overflow Height	20" (695.3 mm)
B	Short Edge to Drain Center	14-1/2" (368.3 mm)
C	Long Edge to Drain Center	15-1/8" (384.1 mm)
D	Drain Shoe Length	N/A
E	Flange Height	N/A
F	Deck Width	1/2" (12.7 mm)
G	Service Access Dimensions	N/A
I	Floor Cutout for Drain	4" x 4" (101 x 101 mm)
J	Interior Dimensions J (L) x J (W)	65" x 15-3/4" (1651 mm x 400 mm)
M	Backrest Angle	26°

Key Dimensions



NOTE

The overall dimensions are nominal with a tolerance of +0 and -.25" (6mm).

*Deck width reflects only area indicated on detail.

