

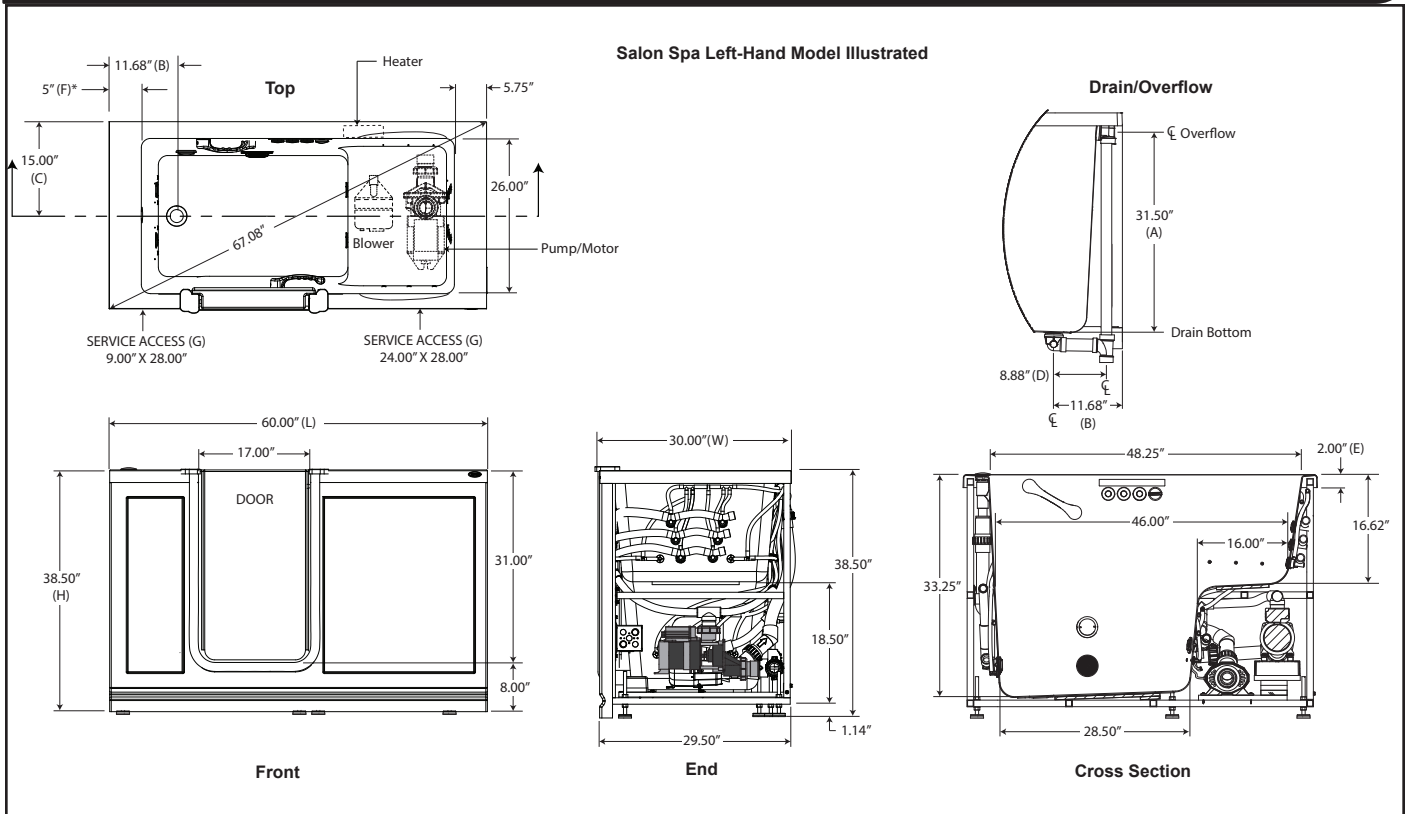


Finestra 6030 Salon® Spa, Whirlpool And Pure Air® Bath Models

TECHNICAL SPECIFICATIONS

	SALON® SPA	WHIRLPOOL	PURE AIR®
Electrical Specifications	Device Power Requirements	Device Power Requirements	Device Power Requirements
Blower	120V, 5A, 60Hz, 500W Motor, 600W Heater	N/A	120V, 5A, 60Hz, 500'W Motor, 600'W Heater
Pump/Motor (Ozone)	120V, 7A, 60Hz / (120V, 0.25A, 60Hz)	120V, 7A, 60Hz / (120V, 0.25A 60Hz)	N/A
Heater	120V, 12.5A, 60Hz, 1.5kW	120V, 12.5A., 60Hz, 1.5kW	N/A
Light	120V, 1.6A, 60Hz	N/A	N/A
GFCI-Protected Circuits	Two Dedicated 120V, 20A, 60Hz	Two Dedicated 120V, 20A, 60Hz	One Dedicated 120V, 20A, 60Hz
Dimensions			
Bath Weight (empty)	290 lbs (131 kg)	260 lbs / (117 kg)	230 lbs (104 kg)
Overall Dimensions (L) x (W) x (H)	60" L x 30" W x 38.5" H (1524mm L x 762mm W x 978mm H)		
Drain Location	Left Hand / Right Hand		
Total Weight (Floor Loading)	1473 lbs / 117.8 lbs/ft ²		
Operating Gallonage (Min-Max)	97 (Min) / 112 (Max) US Gallons (367 L (Min) / 424 L (Max)		
A. Overflow Height	31.50" (800mm)		
B. Drain Rough-In (From Side Wall)	11.68" (297mm)		
C. Drain Rough-In (From Back Wall)	15.00" (381mm)		
D. Drain Shoe Length	8.88" (224mm)		
E. Rim Height	2" (51mm)		
F. Deck Width*	5" (127mm) Note: Deck width reflects indicated area only.		
G. Service Access Dimensions	See Illustration Below		
H. Overall Height	38.50" (978mm)		
Water Heater Capacity (Minimum Recommended)	50 US Gallons (182 L)		

KEY DIMENSIONS





Finestra 6036 Salon® Spa, Whirlpool And Pure Air® Bath Models

TECHNICAL SPECIFICATIONS

	SALON® SPA	WHIRLPOOL	PURE AIR®
Electrical Specifications	Device Power Requirements	Device Power Requirements	Device Power Requirements
Blower	120V, 5A, 60Hz, 500W Motor, 600W Heater	N/A	120V, 5A, 60Hz, 500'W Motor, 600'W Heater
Pump/Motor (Ozone)	120V, 7A, 60Hz / (120V, 0.25A, 60Hz)	120V, 7A, 60Hz / (120V, 0.25A 60Hz)	N/A
Heater	120V, 12.5A, 60Hz, 1.5kW	120V, 12.5A., 60Hz, 1.5kW	N/A
Light	120V, 1.6A, 60Hz	N/A	N/A
GFCI-Protected Circuits	Two Dedicated 120V, 20A, 60Hz	Two Dedicated 120V, 20A, 60Hz	One Dedicated 120V, 20A, 60Hz
Dimensions			
Bath Weight (empty)	320 lbs (145 kg)	290 lbs / (132 kg)	260 lbs (118 kg)
Overall Dimensions (L) x (W) x (H)	60" L x 36" W x 38.5" H (1524mm L x 914mm W x 978mm H)		
Drain Location	Left Hand / Right Hand		
Total Weight (Floor Loading)	1628 lbs / 108.5 lbs/ft ²		
Operating Gallonage (Min-Max)	108 (Min) / 127 (Max) US Gallons (409 L (Min) / 480 L (Max))		
A. Overflow Height	31.50" (800mm)		
B. Drain Rough-In (From Side Wall)	11.68" (297mm)		
C. Drain Rough-In (From Back Wall)	15.00" (381mm)		
D. Drain Shoe Length	8.88" (224mm)		
E. Rim Height	2.00" (51mm)		
F. Deck Width*	5" (127mm) Note: Deck width reflects indicated area only.		
G. Service Access Dimensions	See Illustration Below		
H. Overall Height	38.50" (978mm)		
Water Heater Capacity (Minimum Recommended)	50 US Gallons (182 L)		

KEY DIMENSIONS

