

Tivoli TM17 Handshower- 1.5 GPM

**Model #: TM17-1.5-**

**FEATURES:**

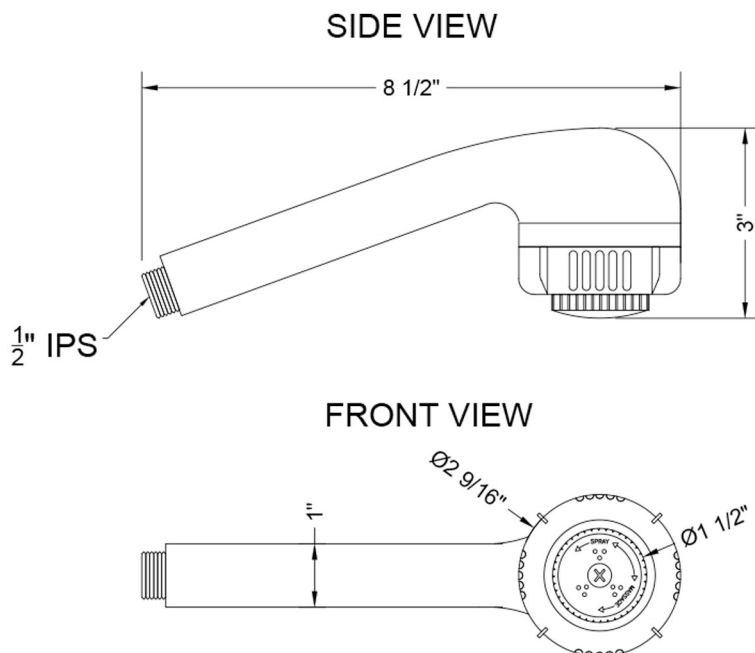
- 3 function handshower
- 1/2" IPS Male threads
- Light weight design



**AVAILABLE FINISHES:**

Polished Chrome (PCH)    Satin Nickel (SN)

**SPECIFICATION DRAWING:**



**SPRAY PATTERNS:**

