

Cylindrica 1 Handshower - 2.0 GPM

Model #: S461-2.0-

FEATURES:

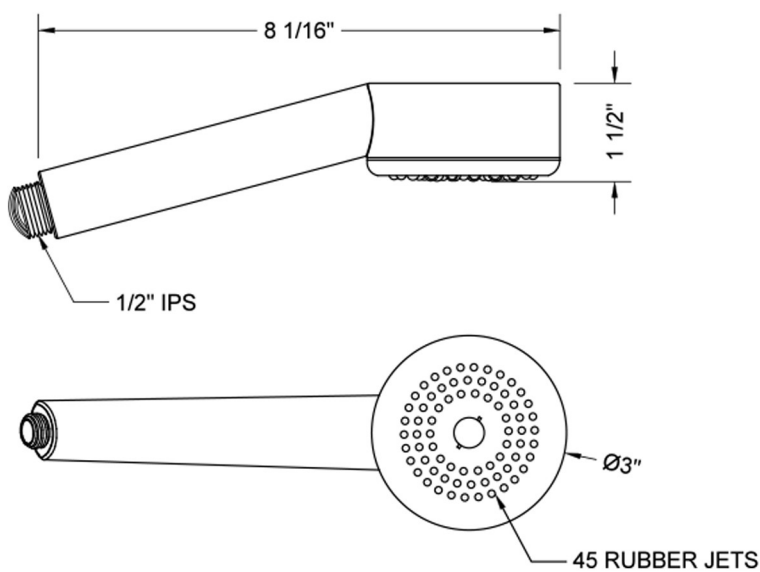
- Single function handshower with 3" face
- 1/2" IPS male threads
- Contemporary design
- Available flow rates: 2.5, 2.0, 1.75 & 1.5 GPM
- 2.0 GPM—WaterSense approved

AVAILABLE FINISHES:

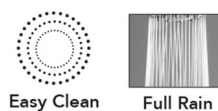
| | | |
|-------------------------|---------------------|-----------------------|
| Polished Chrome (PCH) | Satin Chrome (SC) | Bronze Umber (BU) |
| Satin Nickel (SN) | Pewter (PEW) | Caramel Bronze (CB) |
| Polished Nickel (PN) | Antique Brass (AB) | Antique Copper (ACU) |
| Oil-Rubbed Bronze (ORB) | Polished Brass (PB) | Polished Copper (PCU) |
| Vintage Bronze (VB) | Satin Brass (SB) | Matte Black (MBK) |
| Satin Gold (SG) | Polished Gold (PG) | Black Nickel (BKN) |
| Satin Cooper (SCU) | Graphite (GPH) | |



SPECIFICATION DRAWING:



SPRAY PATTERNS:



COMPLIANCES:



CEC

Complies with: ASME A112.18.1-2012/CSA B125.1-12