

## Ambra Showerhead

**Model #: S188-**

### FEATURES:

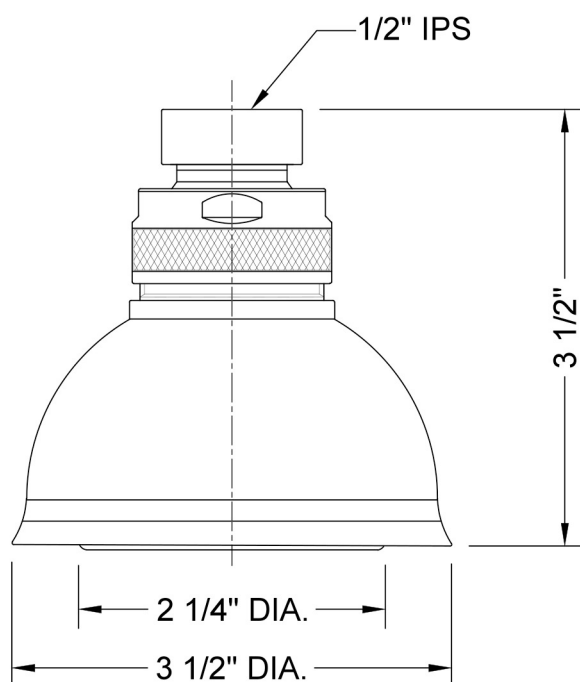
- 5 function showerhead with 3 5/8" face
- 1/2" IPS adjustable brass ball joint to adjust angle of showerhead
- Available flow rates: 2.5, 2.0, 1.75 & 1.5 GPM
- 2.0 GPM - WaterSense Approved



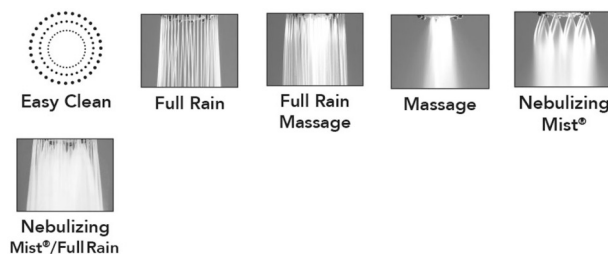
### AVAILABLE FINISHES:

|                         |                     |                       |
|-------------------------|---------------------|-----------------------|
| Polished Chrome (PCH)   | Satin Chrome (SC)   | Bronze Umber (BU)     |
| Satin Nickel (SN)       | Pewter (PEW)        | Caramel Bronze (CB)   |
| Polished Nickel (PN)    | Antique Brass (AB)  | Antique Copper (ACU)  |
| Oil-Rubbed Bronze (ORB) | Polished Brass (PB) | Polished Copper (PCU) |
| Vintage Bronze (VB)     | Satin Brass (SB)    | Matte Black (MBK)     |
| Satin Gold (SG)         | Polished Gold (PG)  | Black Nickel (BKN)    |
| Satin Cooper (SCU)      | Graphite (GPH)      |                       |

### SPECIFICATION DRAWING:



### SPRAY PATTERNS:



### COMPLIANCES:

Complies with: ASME A112.18.1-2012/CSA B125.1-12