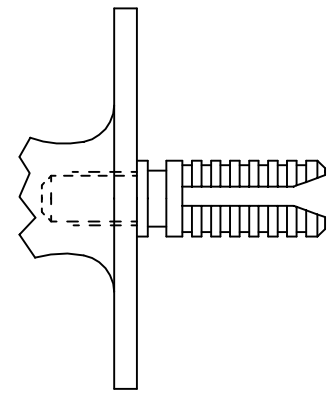
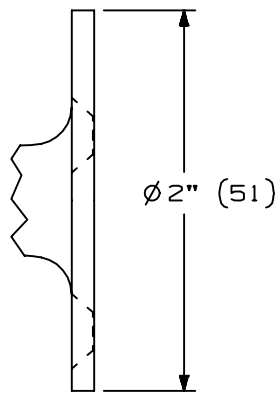


WB11



WB11X

INSTRUCTIONS:

1. PLACE BUMPER IN DESIRED LOCATION AND LOCATE MOUNTING HOLES.
2. PREPARE MOUNTING HOLES.
3. INSTALL BUMPER.

	QTY	SCREW DETAILS
WS11	3	#10 X 1" FPHSMS
	3	PLASTIC EXPANSION SHIELD
WS11X	1	5/16"-18 THREAD SCREW
	1	LEAD EXPANSION SHIELD

IVES

**WS11 & WS11X WALL BUMPER
INSTALLATION INSTRUCTIONS**

IR Security & Safety®

NOTE: DIMENSIONS IN () ARE MILLIMETERS.

TEMPLATE NUMBER: INST.WS11_0

DATE:
09-01-01