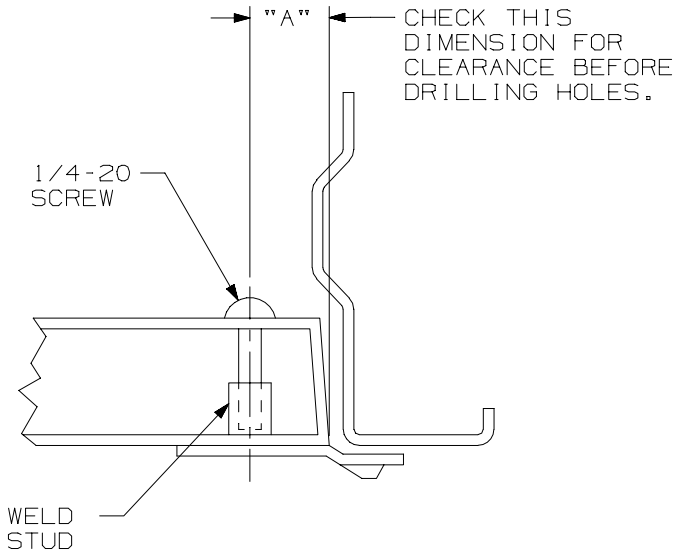
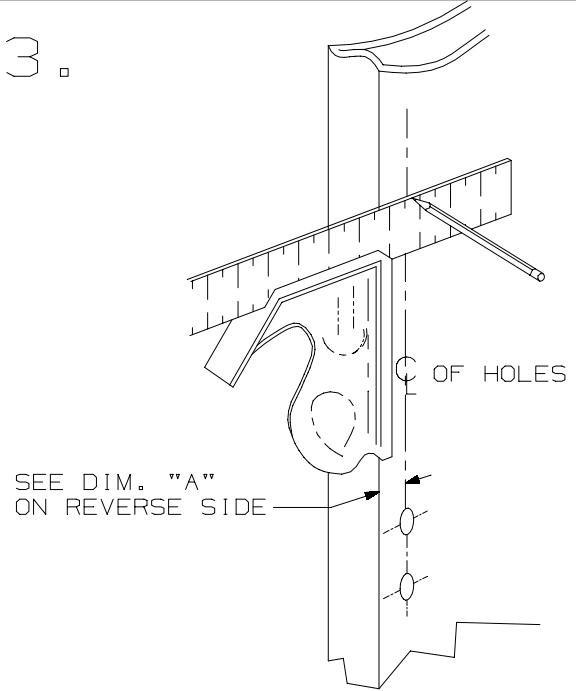


1.



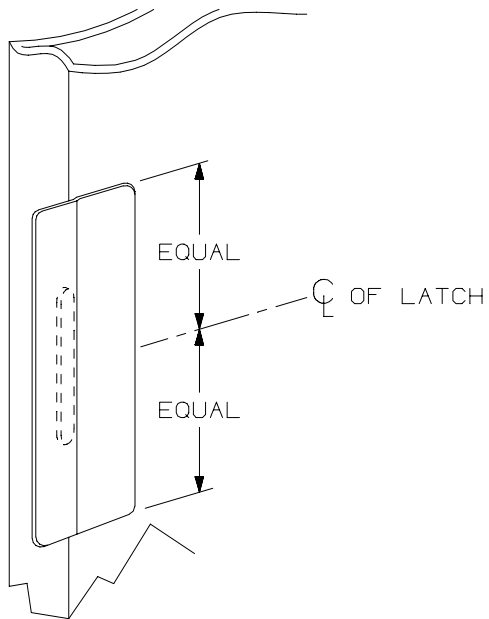
NOTE: THE DIMPLE DEPTH IS 1/4" (6MM)

3.

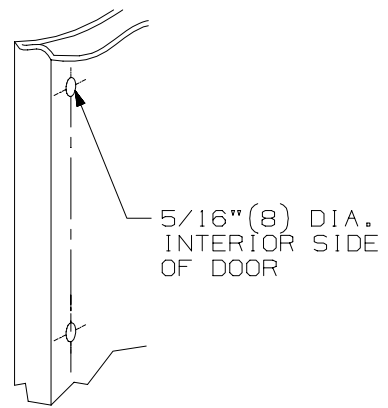


1. MARK HOLES ON EACH SIDE OF DOOR.
2. SUBTRACT 1/8" (3) FROM CENTERLINE OF HOLES ON SHORT SIDE OF BEVEL

2.

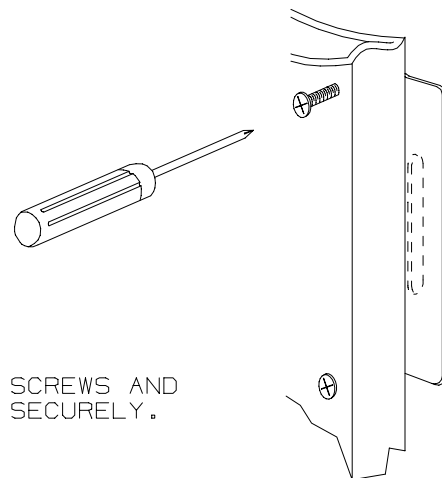


4.



DRILL HOLE FOR LOCK GUARD (DRILL HOLES FROM EACH SIDE TO ENSURE PROPER ALIGNMENT.)

5.



INSTALL SCREWS AND TIGHTEN SECURELY.

	QTY	SCREW DETAILS
LG10	2	1/4-20 X 1 1/4" OPHMS
LG11	2	1/4-20 X 1 1/4" OPHMS
LG12	2	1/4-20 X 1 1/4" OPHMS
LG13	2	1/4-20 X 1 1/4" OPHMS
LG14	4	1/4-20 X 1 1/4" OPHMS

IVES

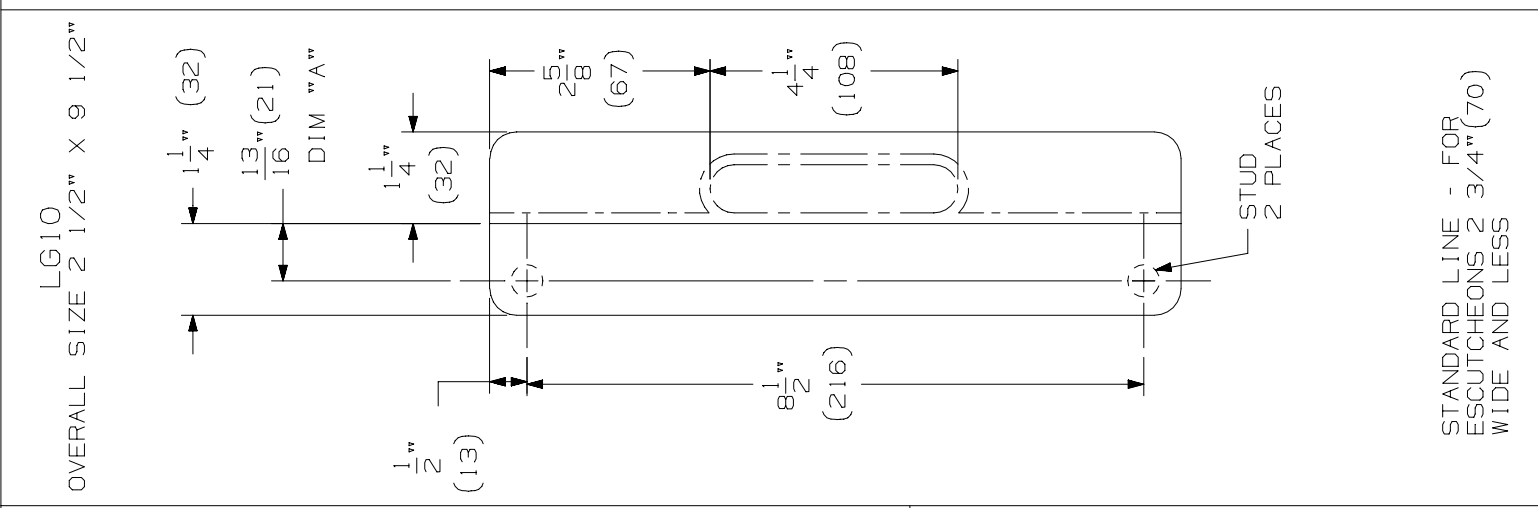
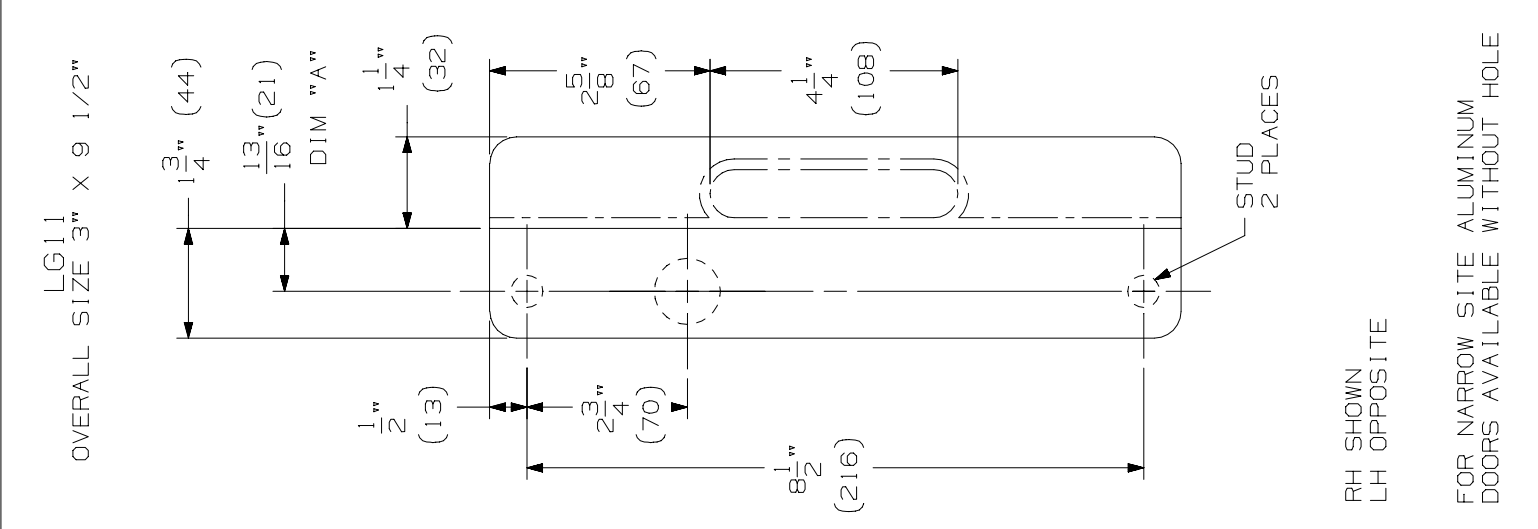
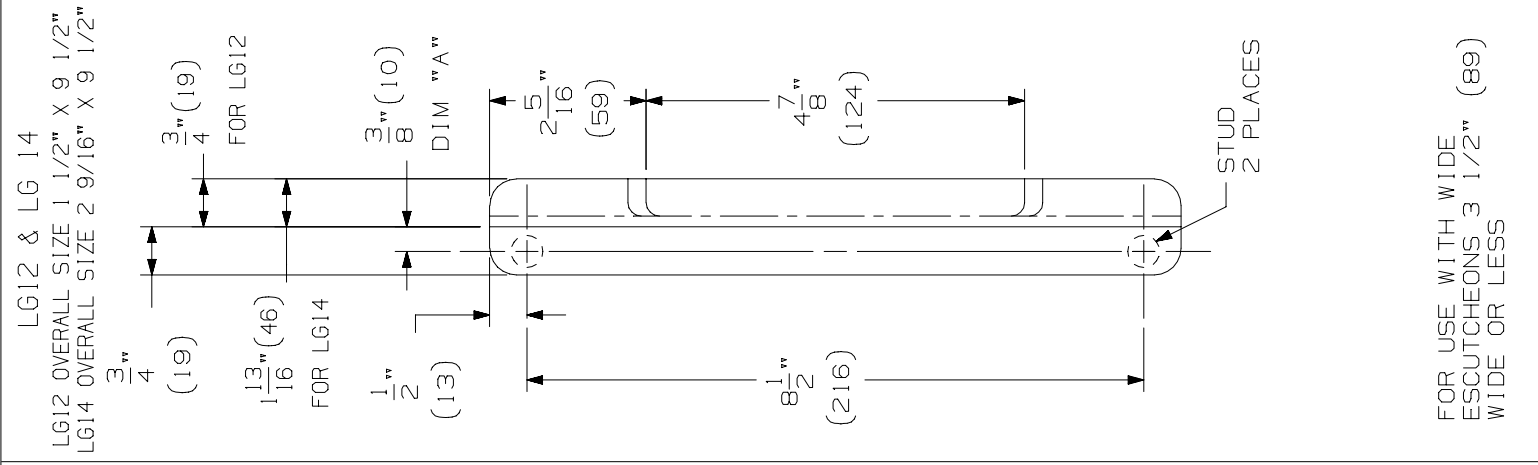
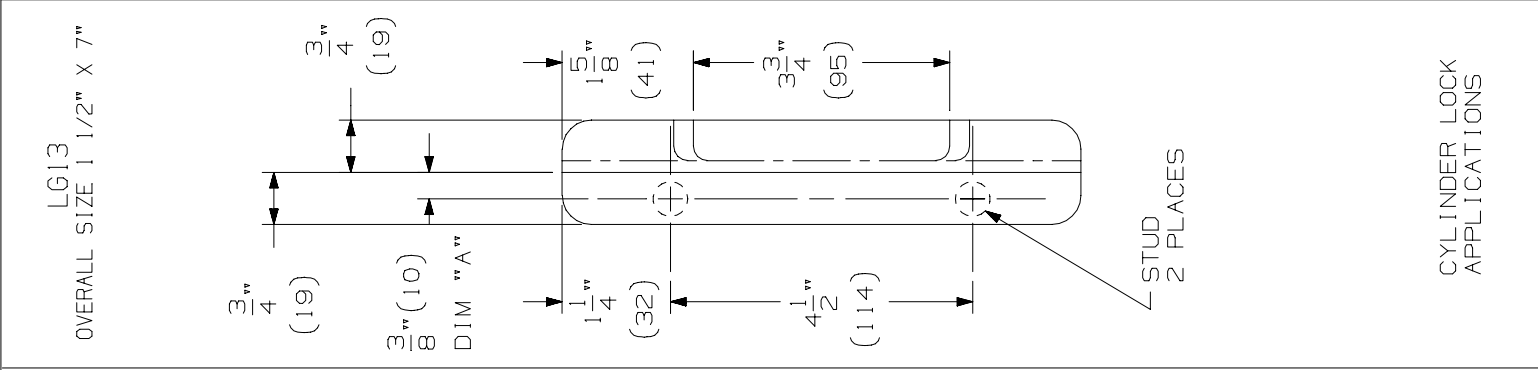
LG10, LG11, LG12, LG13 & LG14 LOCK GUARD INSTALLATION TEMPLATE

IR Security & Safety®

NOTE: DIMENSIONS IN () ARE MILLIMETERS.

TEMPLATE NUMBER: INST.LG1014-PG1_0

DATE: 12/16/03



IVES
LG10, LG11, LG12, LG13 & LG14 LOCK GUARD INSTALLATION TEMPLATE

IR Security & Safety®

NOTE: DIMENSIONS IN () ARE MILLIMETERS.

TEMPLATE NUMBER: INST.LG1014-PG2_0 DATE: 12/16/03

CYLINDER LOCK APPLICATIONS

FOR USE WITH WIDE ESCUTCHEONS 3 1/2" (89) WIDE OR LESS

RH SHOWN
LH OPPOSITE

FOR NARROW SITE ALUMINUM DOORS AVAILABLE WITHOUT HOLE

STANDARD LINE - FOR ESCUTCHEONS 2 3/4" (70) WIDE AND LESS