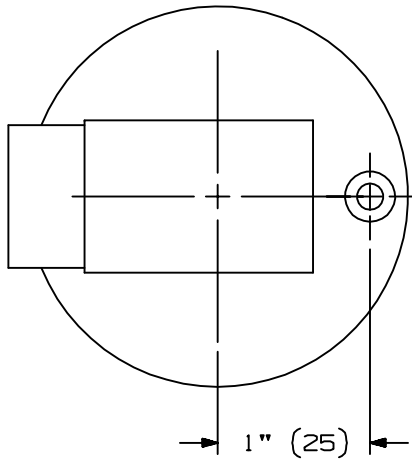
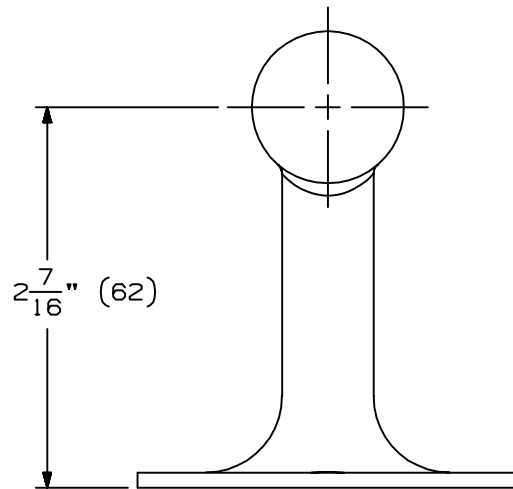
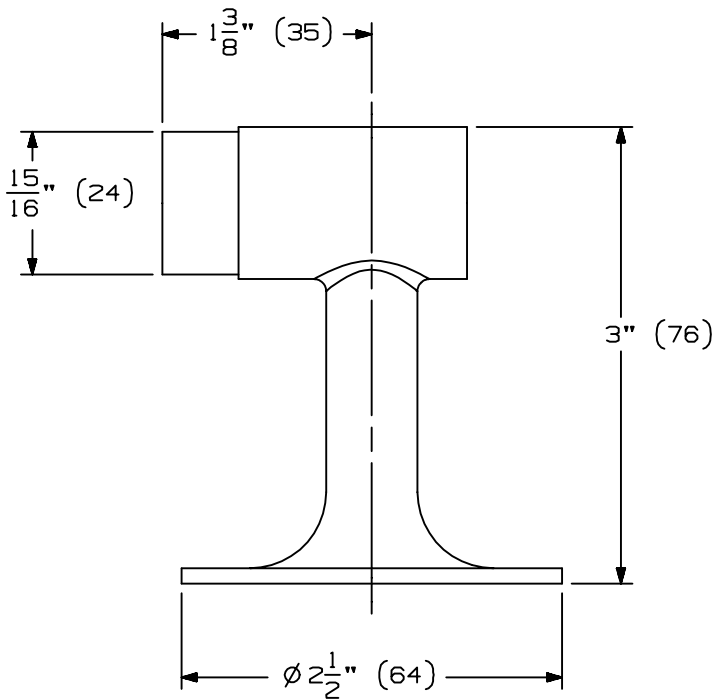
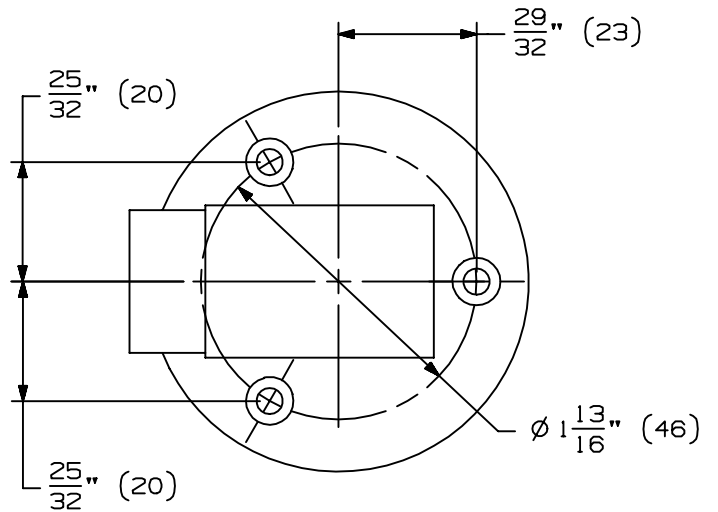


FS448



FS444



| | | |
|-------|---|---|
| FS444 | 3 | #12 X 1 1/4" OPHWS |
| FS448 | 1 | 3/8-12 THREADED STUD |
| | 1 | LEAD EXPANSION SHIELD (1/2" DIA. X 2-1/4") |
| | 1 | #8 X 1" OPHWS |
| | 1 | #8 LEAD ANCHOR |

INSTRUCTIONS:

1. PLACE BUMBER IN DESIRED LOCATION & LOCATE MOUNTING HOLES.
2. PREPARE MOUNTING HOLES.
3. INSTALL FLOOR STOP.



**FS444 & FS448 FLOOR STOP
INSTALLATION INSTRUCTIONS**



NOTE: DIMENSIONS IN () ARE IN MILLIMETERS

TEMPLATE NUMBER: INST.FS444-448_L0

DATE: 07-26-01