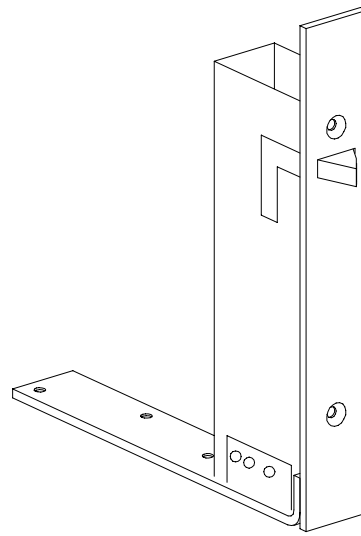


FB61T FLUSH BOLT
(TOP)



FB41B FLUSH BOLT
(BOTTOM)

FB61 INSTALLATION INSTRUCTIONS:

1. MORTISE INACTIVE DOOR FOR FB61T (TOP) AND FB41B (BOTTOM) FLUSH BOLTS.
2. FB61T AND FB41B FIT D.H.I.-W5 DOOR AND FRAME PREPARATION.
3. HANG INACTIVE DOOR. WITH DOOR OPEN, MEASURE MINIMUM DISTANCE (MIN CLEARANCE) FROM DOOR TO FINISHED FLOOR.
4. REMOVE DOOR. INSTALL FB61T TOP FLUSH BOLT IN EDGE OF DOOR. ADJUST TOP BOLT SO IT IS FLUSH WITH TOP OF DOOR WHEN RETRACTED AND BEVEL IS TOWARDS THE PUSH SIDE OF DOOR. THEN INSTALL FB41B (BOTTOM) FLUSH BOLT AND ADJUST BOLT TO PROJECT 1/8" (3) LESS THAN THE MINIMUM CLEARANCE.
5. INSTALL STRIKES.
6. INSTALL RUB PLATES ON EDGE OF ACTIVE DOOR ON CAM CENTERLINES.
7. INSTALL FACE PLATES.

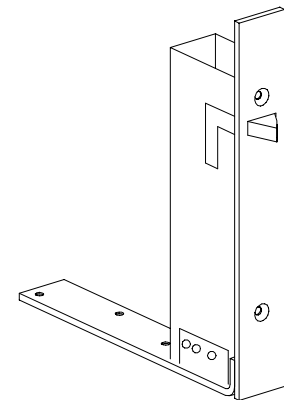
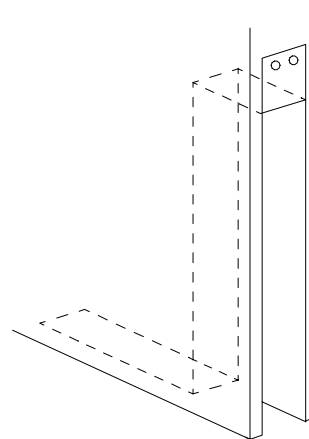
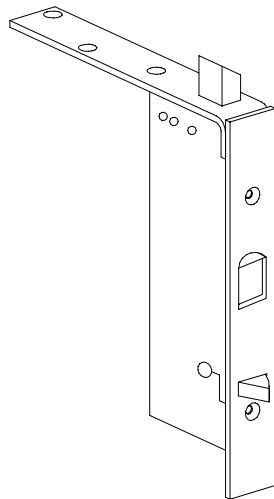
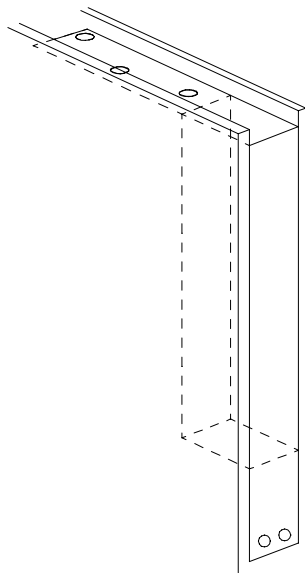
FIELD ADJUSTMENT

VERTICAL ROD ADJUSTMENT:
TOP FLUSH BOLT:

REMOVE GUIDE, TURN BOLT CLOCKWISE OR COUNTERCLOCKWISE AS NECESSARY TO ADJUST, REPLACE GUIDE.

BOTTOM FLUSH BOLT:

REMOVE DOOR FROM HINGES, REMOVE GUIDE, TURN BOLT CLOCKWISE OR COUNTERCLOCKWISE AS NECESSARY TO ADJUST, REPLACE GUIDE, REPLACE DOOR.



NOTE:

1. INSTALL COORDINATOR BEFORE CONSTANT LATCHING FLUSH BOLTS.
2. THE RECOMMENDED CLEARANCE BETWEEN DOORS IS 1/8" (3).
3. THE MAXIMUM UNDERCUT IS 3/4" (19).
4. FOR ADDITIONAL INFORMATION ON OPTIONAL DUST PROOF STRIKES SEE DP1 AND DP2 TEMPLATES.

FB41 SCREW DETAILS PER FLUSH BOLT

	QTY	MACHINE SCREWS	SHEET METAL SCREWS
HOUSINGS	4	----	#8 X 1" FPHSMS
FACE PLATES	4	6-32 X 3/8" UFPHMS	----
BOTTOM STRIKE	2	8-32 X 3/8" UFPHMS	#8 X 1" FPHSMS W/PLASTIC EXP SHIELD
TOP STRIKE	2	8-32 X 3/8" UFPHMS	#8 X 3/4" FPHSMS W/PLASTIC EXP SHIELD
RUB PLATES	4	----	#6 X 3/4" FPHSMS
GUIDES	6	----	#10 X 1" FPHSMS



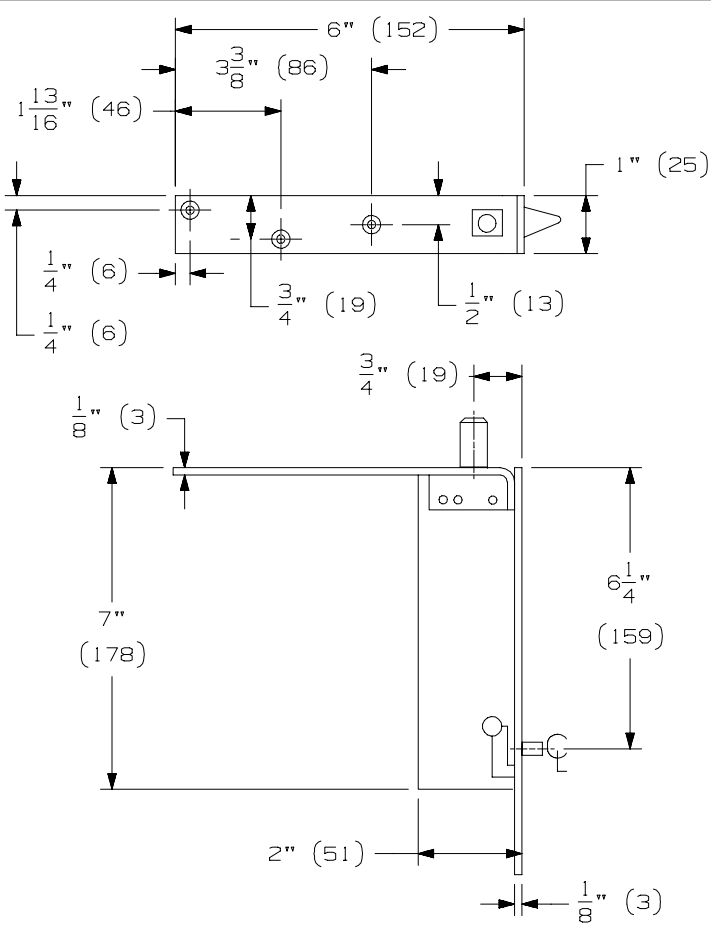
FB61 CONSTANT FLUSH BOLT
FOR WOOD DOORS INSTALLATION TEMPLATE



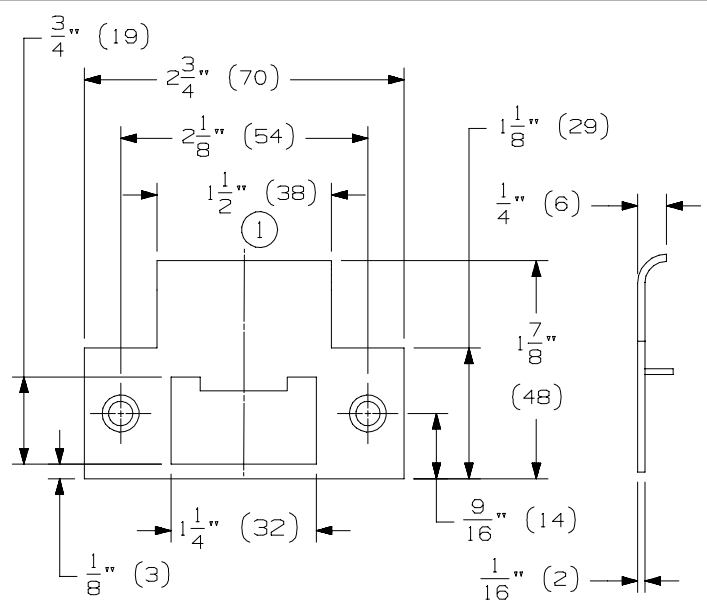
NOTE: DIMENSIONS IN () ARE IN MILLIMETERS

TEMPLATE INST.FB61.PG1_1
NUMBER:

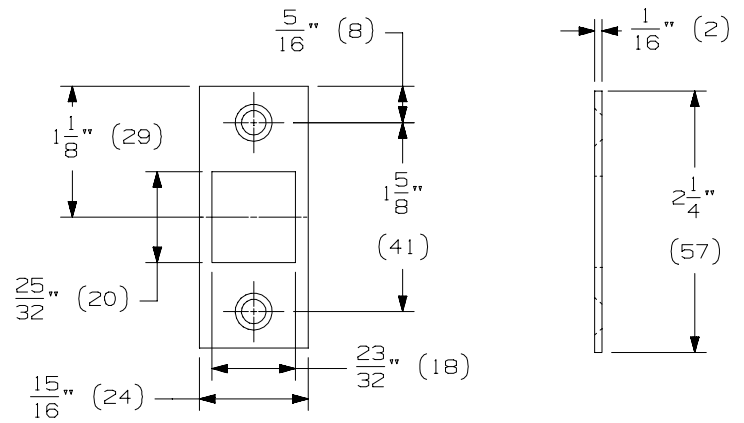
DATE:
07-31-03



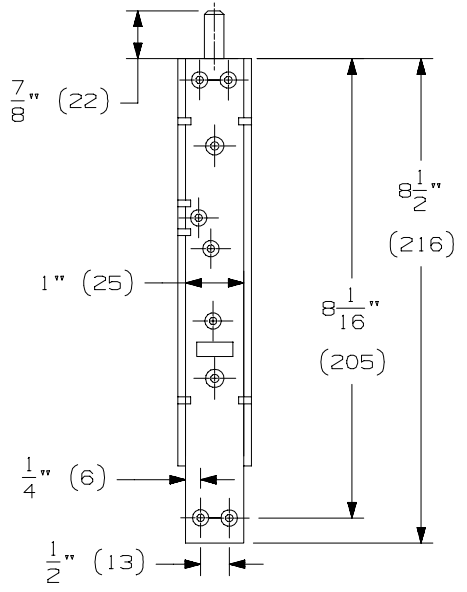
FB61T & FB41B
SIDE VIEW



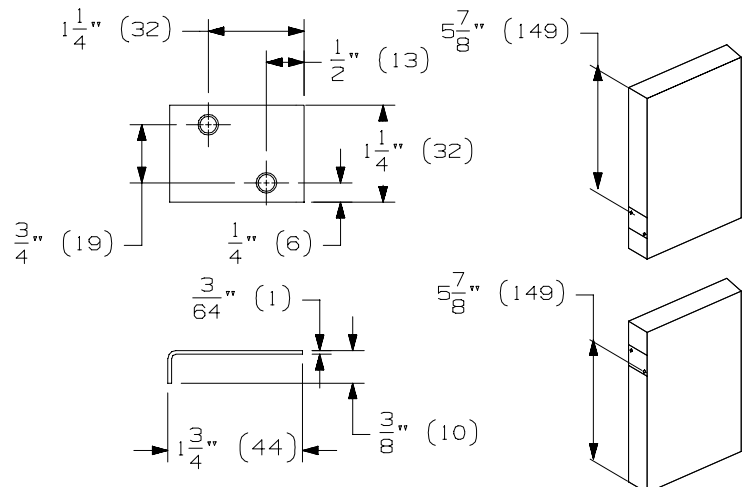
TOP STRIKE



BOTTOM STRIKE



FB61T & FB41B BASIC DIMENSIONS



RUB PLATE

IVES
FB61 CONSTANT FLUSH BOLT
FOR WOOD DOORS INSTALLATION TEMPLATE



NOTE: DIMENSIONS IN () ARE IN MILLIMETERS

TEMPLATE NUMBER: INST.FB61.PG2_1
DATE: 07-31-03