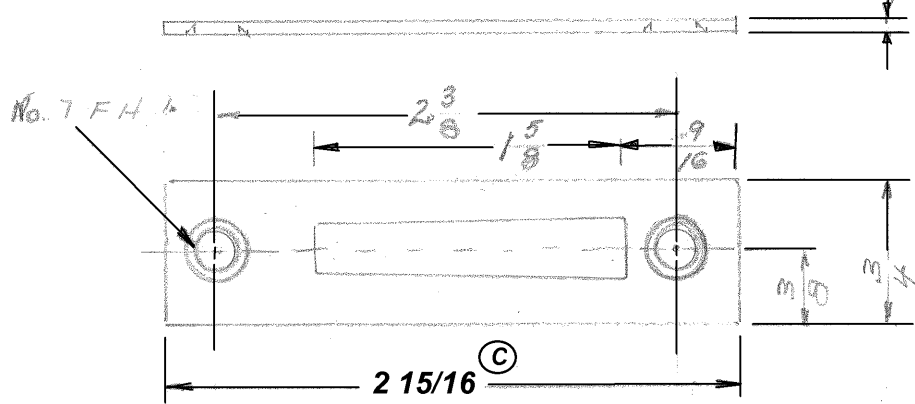


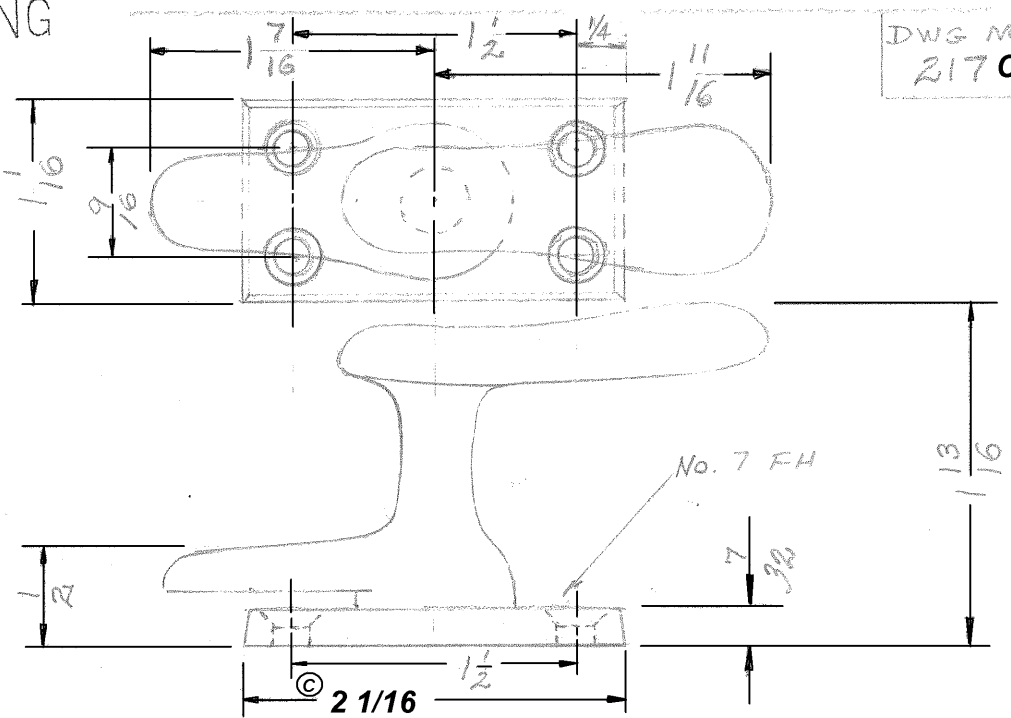
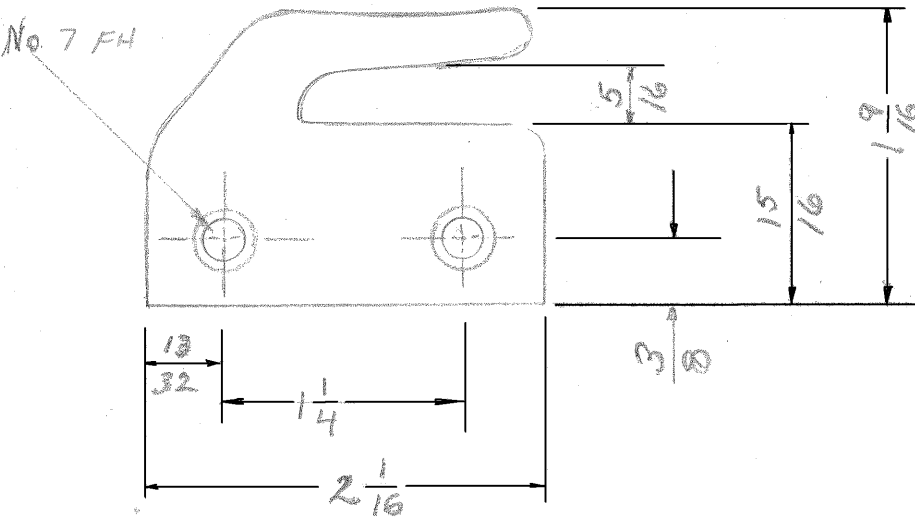
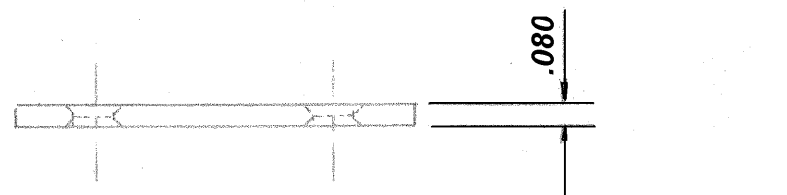
TEMPLATE DRAWING

DWG NO.
217C

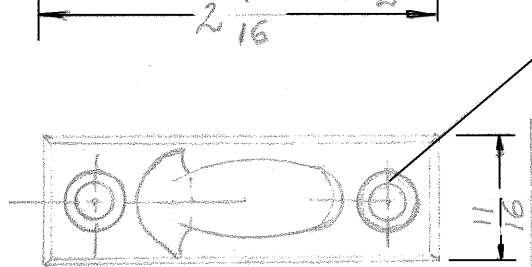
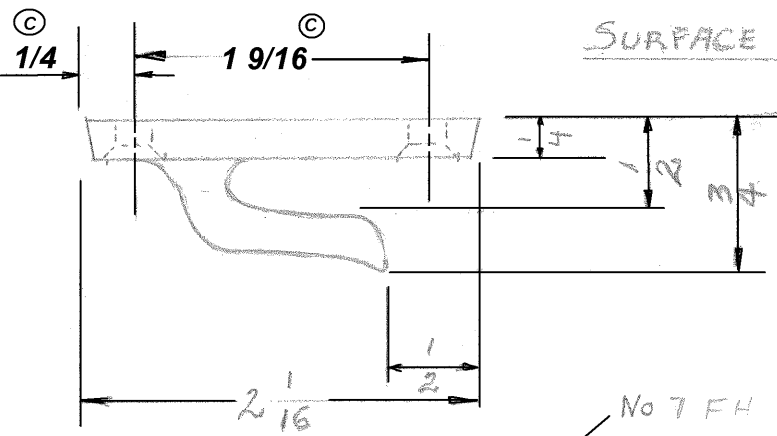
MORTISE STRIKE



RIM STRIKE



SURFACE STRIKE



66B CASEMENT FAST.

IVES DIVISION
LEIGH PRODUCTS, INC.
P. O. BOX 1887, NEW HAVEN, CONN. 06508

DATE	CHANGE	REMARKS
8-9-66	A	DELETE 67, 206
6-25-99	B	216, 266
10/31/02	C	7 Holes $\frac{7}{8}$, 2 WAS $2 \frac{1}{16}$ of $\frac{9}{32}$
2-17-49		2 $\frac{15}{16}$ was 3, 1 $\frac{9}{16}$ was $\frac{11}{2}$ 2 $\frac{1}{16}$ was 2

NOTE: SEE DRAWING # 2162 FOR DETAILS.

DNK