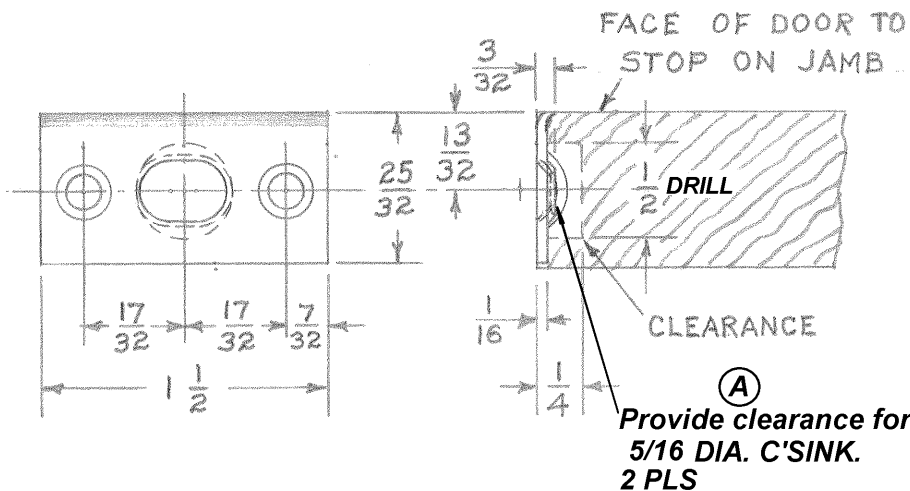
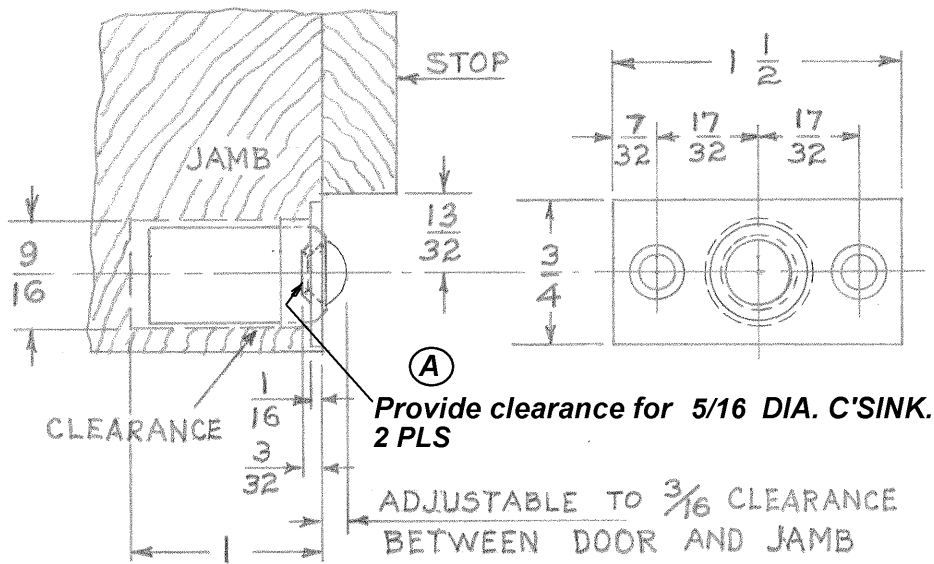


TEMPLATE DRAWING

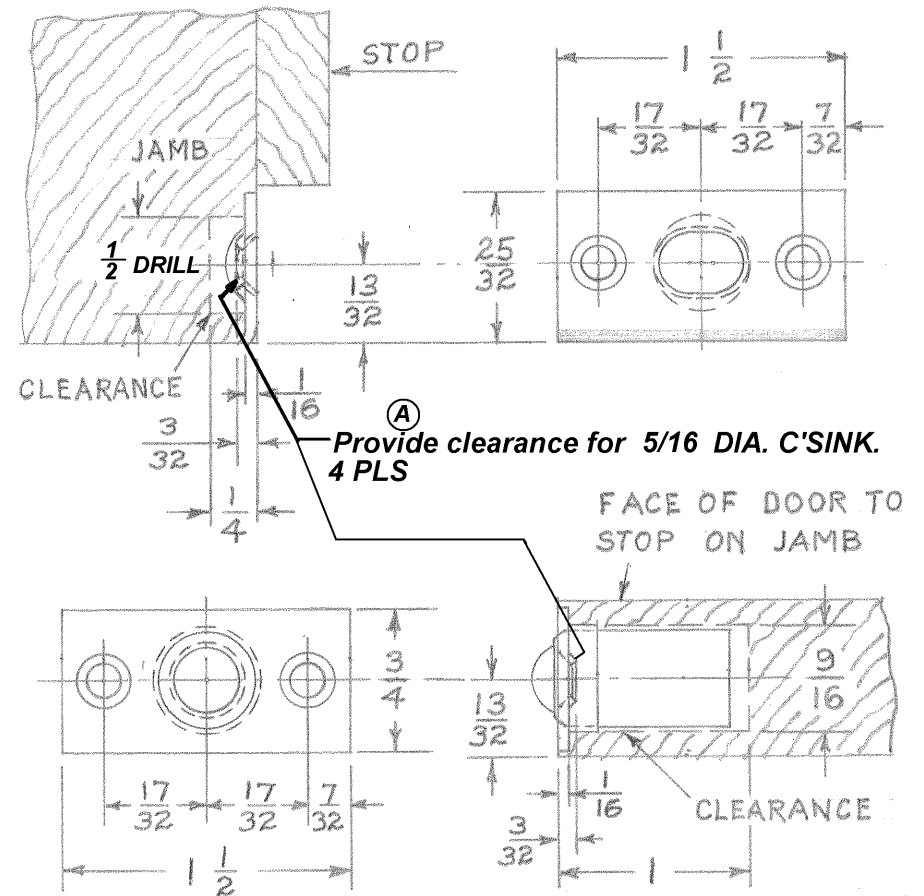
DWG. NO. 422 A

CATCH MOUNTED IN JAMB



5/8 X 6 F.H. WOOD SCREWS OR
 # 6-32 X 3/8 F.H. MACH. SCREWS

CATCH MOUNTED IN DOOR



TEMPLATE 345 BALL CATCH

LETTER	CHANGE	DATE
A	ADDED NOTE "A" - ECO-03-13	4/10/03
B		
C		
F.C.B.	9-25-58	FULL SIZE

IVES DIVISION
 LEIGH PRODUCTS, INC.
 P. O. BOX 1887, NEW HAVEN, CONN. 06508