

SPECIFICATIONS

Product Model Numbers
Ironing Centers:
E-342 and NE-342

Dimensions (Actual Size)

- Overall height: 47 7/8"
- Overall width: 15"
- Overall depth including door: 7 3/8"
- Dimension from wall to outer edge of door (when recessed): 3 1/2"
- Penetration into opening: 3 7/8"
- Wall opening height: 47 1/8"
- Wall opening width: 14 1/4"
- Wall opening depth: 3 7/8"

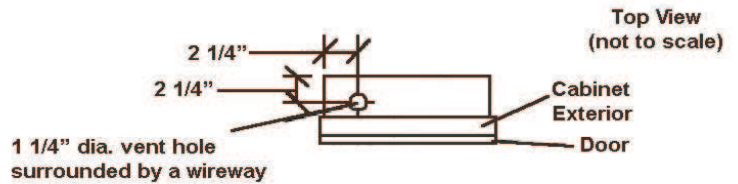
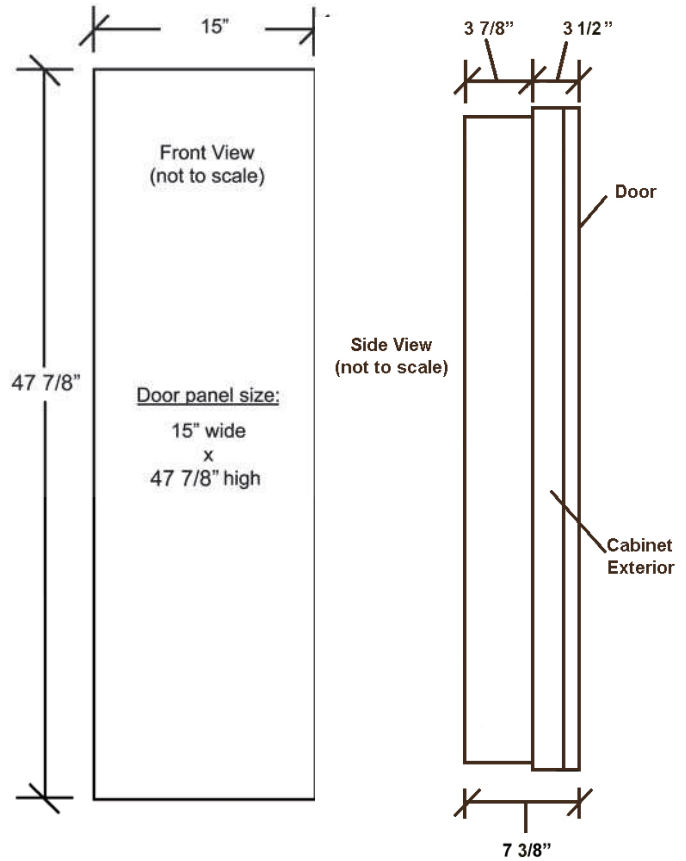
Overlap distances when using wall opening dimensions listed above

- Top overlap: 3/8"
- Bottom overlap: 3/8"
- Right side overlap: 3/8"
- Left side overlap: 3/8"

Additional Information

- Unit may be surface mounted (unit extends approximately 7 3/8" room) or recessed (unit extends approximately 3 1/2" into room) into any wall with standard 16" center studs.
- See table to the right to determine desired ironing board height above the floor. The user can adjust height of board after installation with a 4" differential between a maximum and minimum height.
- Unit can be provided with a left hinged door upon request. Right hinge is standard.
- Comes standard with birch veneer door.
- Electrical requirements for E-342: 115/120v, 15 amps. Pigtails are provided in bottom of wire raceway for hookup to supply line. Make entrance into knockout provided in top of wire way through left-hand vent hole.
- Electrical requirements for NE-342: The unit does not require electricity, it is non-electric.
- Recommended to attach 2" x 4" cleats to studs, level with the bottom of opening (for support when recessing unit.)
- Door opens approximately 180°. Allow at least 16" to the side of the unit for door to swing open (door hinges on full length piano hinge.)

See Page 2 for additional information



Height Adjustments	
Cut Opening Above floor	Board Height
32"	39"
31"	38"
30"	37"
29"	36"
28"	35"
27"	34"
26"	33"
25"	32"
24"	31"
23"	30"
22"	29"

Page 2

Additional Information

- E-342 and NE-342 options include: Surface mount trim (for surface mounting only), oak, maple, pine, or white raised panel door, flat white door, glass mirrored door, or no door, electrical cord wrap, swivel, spotlight (E-342 only), sleeveboard, hot iron rest, garment bar, rough-in kit, and iron.

Measurements when board is lowered (not to scale)

Unit can be provided with a left hinged door upon request. Right hinge is standard.

