

# TRADITIONAL 2010

## Instant Hot Water Faucet FH2010

### FEATURES:

- Hot only faucet - dispenses near-boiling water
- For use with an InSinkErator instant hot water tank and filtration system (sold separately)
- Self-closing hot valve for automatic shut off
- Handle moves forward to avoid hitting backsplash
- Spout swivels 360° for convenience

### MATERIAL:

- Reverse osmosis certified and compatible per NSF/ANSI 58
- Lead-free certified and tested per NSF 61, Section 9
- Solid brass construction
- Corrosion resistant ceramic disc valve

### FINISHES:

Chrome • Stainless Steel • Arctic Steel • Brushed Bronze  
Polished Nickel • Oil Rubbed Bronze • Classic Oil Rubbed  
Bronze • Matte Black

### WARRANTY:

We Come To You® 5-Year In-Home Limited Warranty.  
Covers parts and labor.

The complete InSinkErator warranty is included in the Care & Use booklet with each unit.

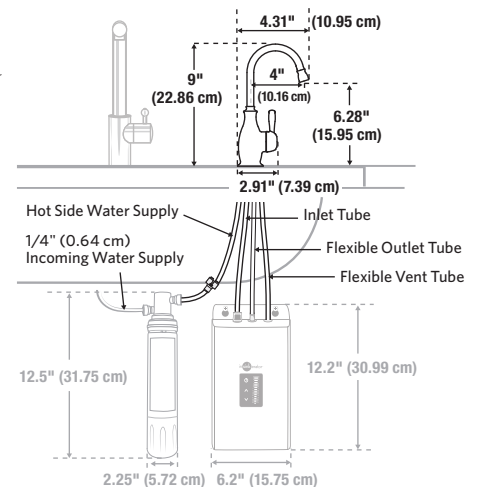
### CERTIFICATIONS:

NSF/ANSI 372 • NSF/ANSI 58 • NSF/ANSI 42/53  
NSF/ANSI 61 • ASME A112.18.1 • UPC Certified  
ASSE 1023 • ADA Compliant

NSF/ANSI/CAN 61 Q ≤ 1



Supply Connection	1/4" (0.64 cm) Compression and/or push fitting
Required Sink Hole Diameter	1-3/8" (35 mm) Standard Sink Hole
Required Supply Pressure	25-80 psi (172-550 kPa or 1.7-5.5 bar)
Backsplash Clearance for Installation	Minimum 2" (5.08 cm) required from sink hole center to backsplash
Counter Thickness	Maximum of 3" (7.62 cm)
Shipping Weight	4.01 lb (1.82 kg)



USA: 1.800.558.5700 [www.insinkerator.com](http://www.insinkerator.com)  
CA: 1.800.561.1700 [www.insinkerator.ca](http://www.insinkerator.ca)

InSinkErator may make improvements and/or changes in the specifications at any time, in its sole discretion, without notice or obligation and further reserves the right to change or discontinue models.

®/TM © 2023 InSinkErator. All rights reserved.