

Multipoint Trims



(Version: 2015.6)

BP/MU UNIVERSAL MULTIPOINT TRIM



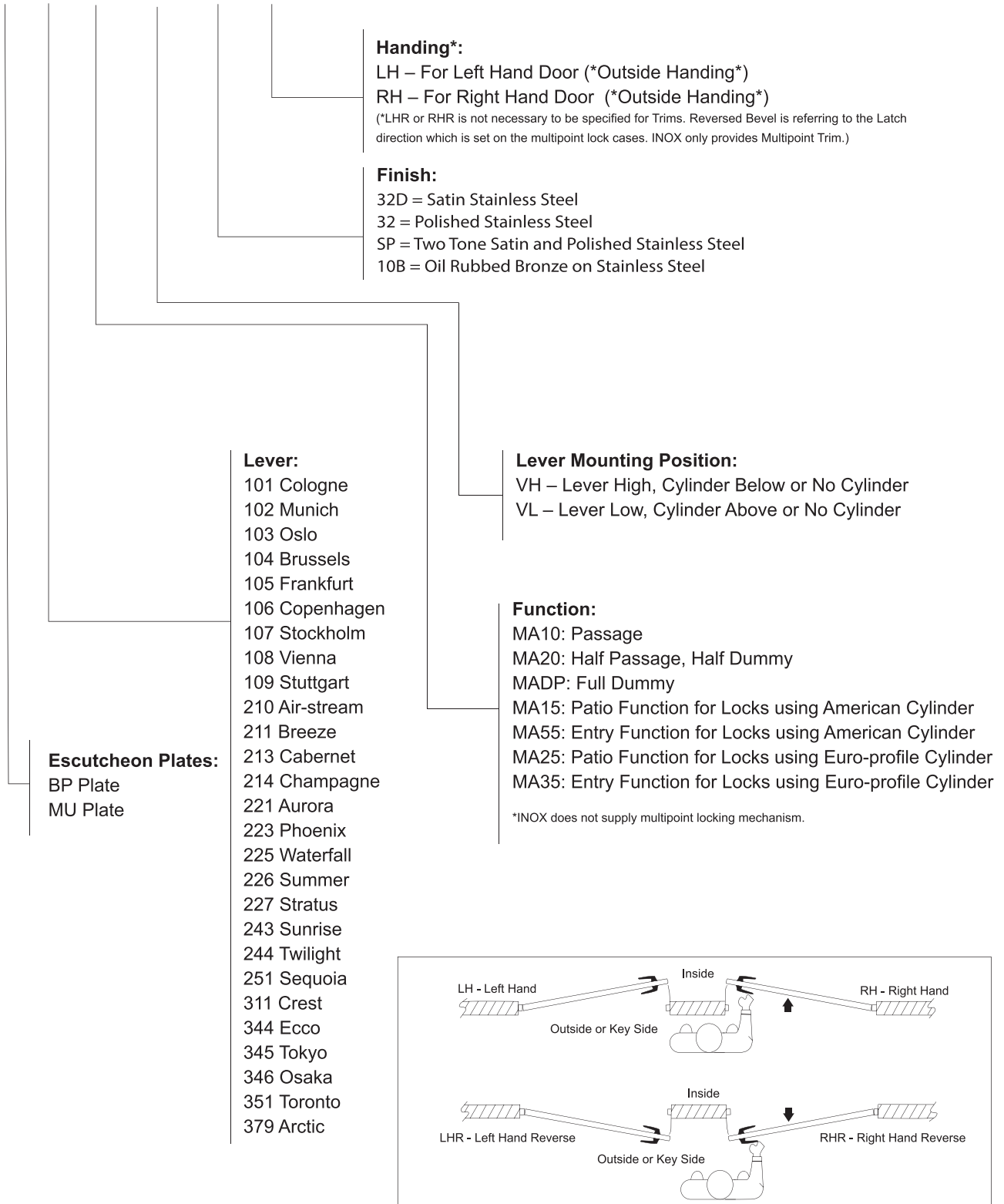


TABLE OF CONTENTS

How to order.....	Page 1
Plates Escutcheon	Page 2
Lever Designs and Finishes	Page 3
BP/MU Multipoint Trim Specification	Page 4
Parts and Services.....	Page 7
Exploded Diagrams.....	Page 9
Care and Maintenance.....	Page 11
Product Warranty.....	Page 12

How to Order Standard Items:

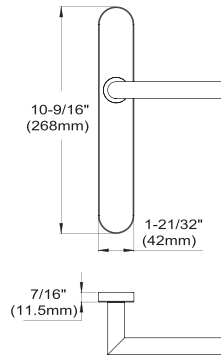
Item Code:

MU 105 MA10 – VH – 32D – LH

Escutcheon Plates

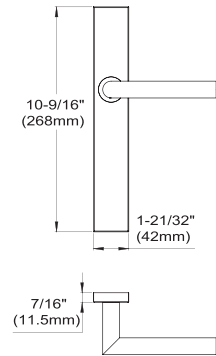
BP Plate

- Passage (Outside and Inside)
- Patio (Outside)



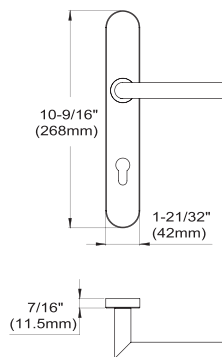
MU Plate

- Passage (Outside and Inside)
- Patio (Outside)



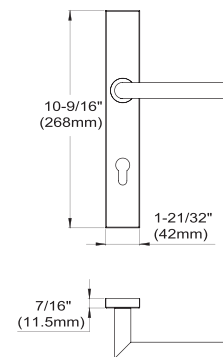
BP Plate

- Euro Entry (Outside and Inside)
- Euro Patio (inside)



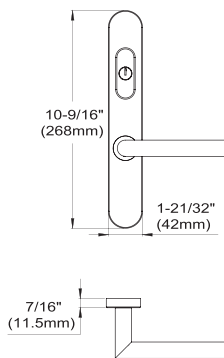
MU Plate

- Euro Entry (Outside and Inside)
- Euro Patio (inside)



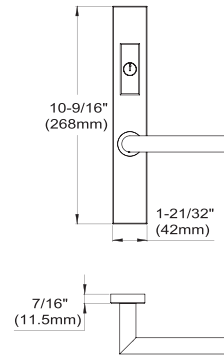
BP Plate

- American Entry (Outside)



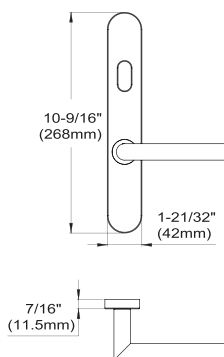
MU Plate

- American Entry (Outside)



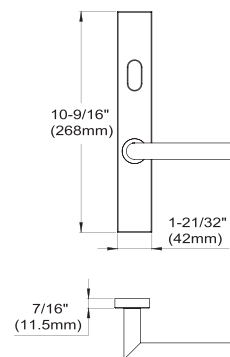
BP Plate

- American Patio (Inside)
- American Entry (Inside)



MU Plate

- American Patio (Inside)
- American Entry (Inside)



Lever Designs and Finishes



101 Cologne
(32, 32D)



103 Oslo
(32, 32D)



104 Brussels
(32, 32D)



105 Frankfurt
(32, 32D, 10B)



106 Copenhagen
(32, 32D, 10B)



107 Stockholm
(32, 32D)



108 Vienna
(SP*)



210 Air-Stream
(32, 32D, 10B)



211 Breeze
(32, 32D, 10B)



213 Cabernet
(32, 32D)



214 Champagne
(32, 32D, 10B)



221 Aurora
(32, 32D, SP*, 10B)



223 Phoenix
(32D, SP*)



225 Waterfall
(32, 32D)



226 Summer
(32, 32D)



227 Stratus
(32, 32D)



243 Sunrise
(32, 32D, 10B)



251 Sequoia
(32D, 32, SP*)



311 Crest
(32, 32D, 10B)



344 Ecco
(32, 32D)



345 Tokyo
(32, 32D)



351 Toronto
(32, 32D)



379 Arctic
(32, 32D)

Lever Designs with "Return To Door" (RTD)*

*Compliant with California Fire Code



102 Munich
(32, 32D)



109 Stuttgart
(32, 32D)



244 Twilight
(32, 32D)



346 Osaka
(32, 32D)

*SP is a two-tone stainless steel finish: satin (32D) finish on lever grip, polished (32) finish on lever neck and roses.

BP/MU Multipoint Trim



BP Plate



MU Plate

Application

For swing door Multipoint locking system.

Material

Stainless Steel Levers and Escutcheons

Finish



- Satin Stainless Steel
US32D/630
- Bright Polished Stainless Steel
US32/629
- Two-tone Stainless Steel
SP (Satin on Lever Grip; Polished on Lever Neck and Roses)
- Oil Rubbed Bronze on Stainless Steel
10B/613

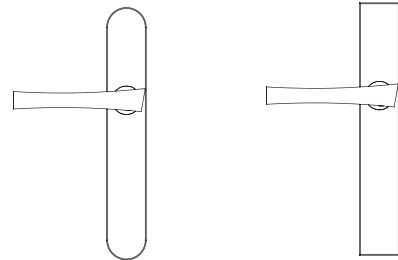
*See page 3 for finish availability.

Specification

- Door Thickness: 1-3/4" with lockcase in the center of the door. Thick Door Kits available on requests.
- Cylinder to Lever Center Distance: 3-5/8" (92mm)
- Spindle: 8x8mm Square.
- Faceplate and strike plate with square corners. Radius corners available on request.
- Schlage C Keyway 5-pin Cylinder, 2 keys included. Keying service available.
- Weather seal gasket for outside trim.

Escutcheon Plates

- BP Plates Size:
10-1/2" x 1-5/8" x 7/16" (268 x 42 x 11mm)
- MU Plates Size:
10-1/2" x 1-5/8" x 7/16" (268 x 42 x 11mm)



BP Plate

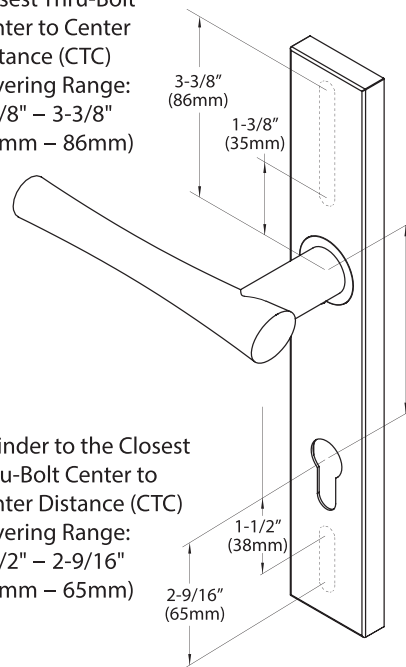
MU Plate

Door Configurations

The new INOX® Multipoint Trim (patent pending) is designed to be a universal trim which fits the majority of multipoint locking systems for swing doors in the marketplace. INOX® Multipoint Trim has adjustable thru-bolt distance covering almost every door prep configuration as long as the Lever to Cylinder has a 3-5/8" (92mm) center distance.

Lever to the Closest Thru-Bolt Center to Center Distance (CTC)
Covering Range:
1-3/8" – 3-3/8"
(35mm – 86mm)

Cylinder to the Closest Thru-Bolt Center to Center Distance (CTC)
Covering Range:
1-1/2" – 2-9/16"
(38mm – 65mm)



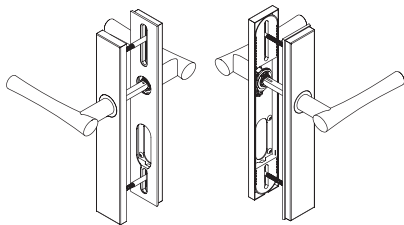
Lever to Cylinder Center to Center Distance (CTC):
3-5/8"(92mm)

BP/MU Multipoint Trim

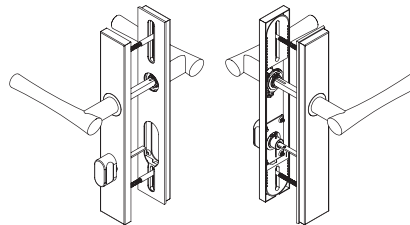
Features:

- Bi-direction spring provides lever support.
- Multiple fixing distance for thru-bolts on the same plate to fit majority of manufacturer's door prep with concealed fixing.
- Schlage C Keyway for both American or Euro Profile Cylinder.
- Weather seal gasket for outside trim.

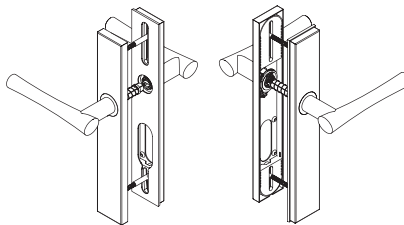
Functions:



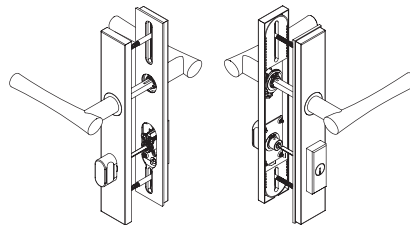
MA10:
Passage Function
Both outside and
inside levers are
active. No deadlock.



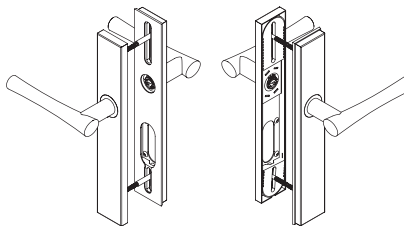
MA15:
Patio Function for Locks
using Tailpiece Hub
Both outside and inside
levers are active. Inside
thumb-turn locks deadbolt
using tailpiece.



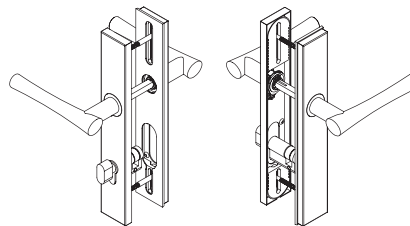
MA20:
Half Passage,
Half Dummy.
Outside lever is
inactive.
Inside lever is active.



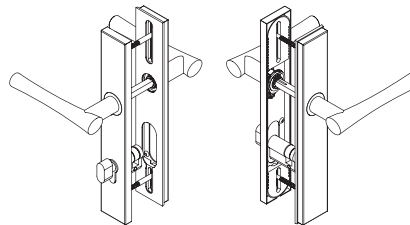
MA55:
Entry Function for Locks
using American Cylinder.
Both outside and inside
levers are active. Key from
outside and thumb-turn on
inside locks the deadbolt,
using American cylinder
with tailpiece.



MADP:
Full Dummy
Both outside and
inside levers are
inactive.



MA25:
Patio Function for Locks
using Euro-profile Cylinder
Both outside and inside
levers are active. Inside
thumb-turn locks deadbolt
using Euro cylinders with
cam.



MA35:
Entry Function for Locks
using Euro-profile Cylinder
Both outside and inside
levers are active. Key from
outside and thumb-turn on
inside locks the deadbolt,
using Euro cylinders with
cam.

Will INOX® Standard BP/MU Plates Fit the following Locks and Door Prep?

Configuration	Door/Lock Manufacturer	Lever to Cylinder CTC	Lever to Thru-Bolt CTC	Cylinder to Thru-Bolt CTC	Emtek® Door Config.	Baldwin® Door Set Ref.	Standard INOX® Multipoint Trim Fit
Lever High, American Cylinder Below Lever	G-U®, Marvin Integrity®, Sierra Pacific Windows®, Superior®	3-5/8" (92mm)	2-9/16" (65mm)	1-3/8" (35mm)	DC #1	# 5	YES
Lever High, American Cylinder Below Lever	Pella®	3-5/8" (92mm)	2-7/8" (73mm)	1-7/8" (48mm)	DC #6	# 3	YES
Lever Low, American Cylinder Above Lever	G-U®, Pella®, Eagle®, Marvin Integrity®, Biltbest®, Hurd®, Sierra Pacific®, Willmar®	3-5/8" (92mm)	2-9/16" (65mm)	1-3/8" (35mm)	DC #2	# 5	YES
Lever Low, American Cylinder Above Lever	Ashland®, Marvin®, Milgard®, Caradco®, PGT®	3-5/8" (92mm)	1-13/16" (46mm)	1-13/16" (46mm)	DC #4	# 6	YES
Lever High, Euro Cylinder Below Lever	G-U®, Hoppe®, Hurd®, Eagle®, Kolbe & Kolbe®, Loewen®, Lincolen®, Norco®, Peachtree®, Pozzi®, Sierra Pacific®, Semco®, Vetter®, Weathershield®, Therma-Tru®	3-5/8" (92mm)	3-3/8" (86mm)	1-1/2" (38mm)	DC #5	# 1	YES
Lever High, Euro Cylinder Below Lever	G-U®, Hoppe®, Hurd®, Eagle®, Kolbe & Kolbe®, Loewen®, Lincolen®, Norco®, Peachtree®, Pozzi®, Sierra Pacific®, Semco®, Vetter®, Weathershield®	3-5/8" (92mm)	2-7/16" (62mm)	1-13/16" (46mm)	N/A	#4	YES
INOX® multipoint trim will NOT fit the following door configuration:							
Lever Low, American Cylinder Above Lever	Anderson®	4-1/8" (105mm)	2-1/16" (52mm)	2-5/16" (59mm)	DC #3	# 2	NO
Lever Low, American Cylinder Above Lever	W & F Manufacturing®	6" (152mm)			DC # 7	N/A	NO

Disclaimer: INOX® is not liable for any change of specifications by door and lock manufacturers.

Parts and Services

Euro Cylinders

Also called Profile Cylinders

Double Cylinder
Key & Thumb-turnSingle Cylinder
(Also called Half Cylinder)
Thumb-turn Only**Material**

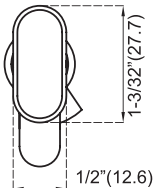
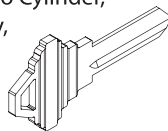
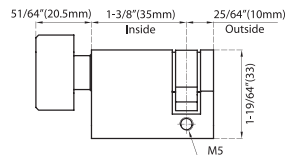
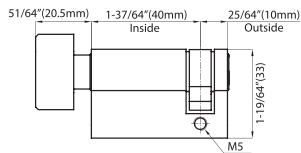
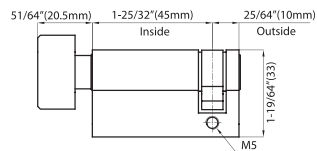
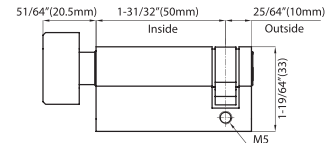
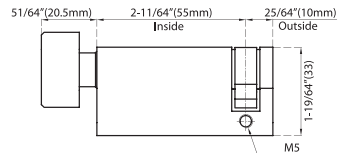
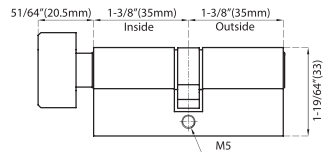
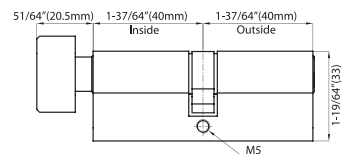
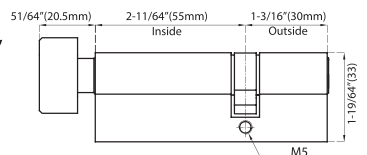
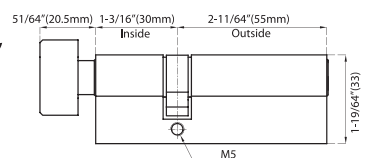
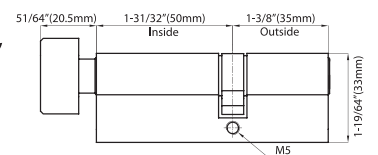
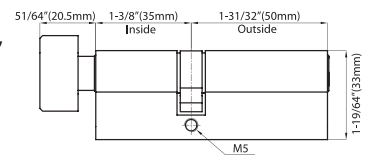
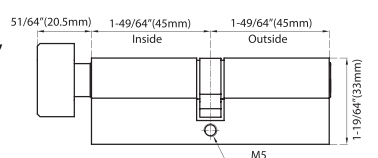
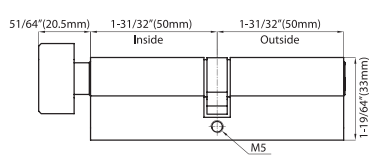
Solid Brass

KeywaySchlage C Keyway, 5 Pin.
3 Keys per Cylinder.**Finishes**

- Satin Nickel (US15)
- Polished Chrome (US26)
- Oil Rubbed Bronze (US10B)

Cylinder Screw

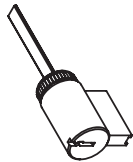
Each cylinder includes 1 breakable machine screw M5x80mm for fixing cylinder to multipoint lock case with backset up to 2-3/4" (70mm).

Cylinder Thumb-turn**Key Blanks**Key Blanks for Euro Cylinder,
Schlage C Keyway,
for 5 Pin Cylinder
LSK03-55C-NP**Euro-Profile Cylinders for Patio and Entry Function**Total Length: 45mm (10/35)
Door Thickness: 1-3/4" (45mm)
CYEU-1035TKTotal Length: 50mm (10/40)
Door Thickness: 2" (51mm)
CYEU-1040TKTotal Length: 55mm (10/45)
Door Thickness: 2-1/4" - 2-1/2"
(57-63mm)
CYEU-1045TKTotal Length: 60mm (10/50)
Door Thickness: 2-3/4" - 3"
(70 - 76mm)
CYEU-1050TKTotal Length: 65mm (10/55)
CYEU-1055TKTotal Length: 70mm (35/35)
Door Thickness: 1-3/4" (45mm)
Lock Case Centered
CYEU-3535TKTotal Length: 80mm (40/40)
Door Thickness: 2" (51mm)
Lock Case Centered
CYEU-4040TKTotal Length: 85mm (30/55)
Door Thickness: 2-1/4" - 2-1/2"
(57 - 63mm)
Lock Case Off-Center
CYEU-3055TKTotal Length: 85mm (55/30)
Door Thickness: 2-1/4" - 2-1/2"
(57 - 63mm)
Lock Case Off-Center
CYEU-5530TKTotal Length: 85mm (35/50)
Door Thickness: 2-1/4" - 2-1/2"
(57 - 63mm)
Lock Case Off-Center
CYEU-3550TKTotal Length: 85mm (50/35)
Door Thickness: 2-1/4" - 2-1/2"
(57 - 63mm)
Lock Case Off-Center
CYEU-5035TKTotal Length: 90mm (45/45)
Door Thickness: 2-1/4" - 2-1/2"
(57 - 63mm)
Lock Case Centered
CYEU-4545TKTotal Length: 100mm (50/50)
Door Thickness: 2-3/4" - 3"
(70 - 76mm)
Lock Case Centered
CYEU-5050TK

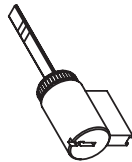
Parts and Services

American Cylinder

Also called Knob Cylinder



American Cylinder with
40mm Tailpiece
Door Thickness: 1-3/4"
CYSC00-40



American Cylinder with
70mm Breakable Tailpiece
Door Thickness: 2"-3"
CYSC00-70

Material

Solid Brass

Keyway

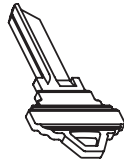
Schlage C Keyway, 6 Pin, with 2 Keys, Keyed Different*.
(*5-Pin available on request)

Finish of cylinder barrel

Satin Chrome (US26D)

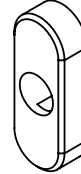
Key Blanks

Key Blanks for American
Cylinder, Schlage C Keyway,
for 6 Pin Cylinder
LSK01-65C-NP

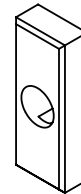


American Cylinder Escutcheons

American Cylinder Escutcheons,
Oblong, 64 x 24.5 x 12.5mm
EC-64R



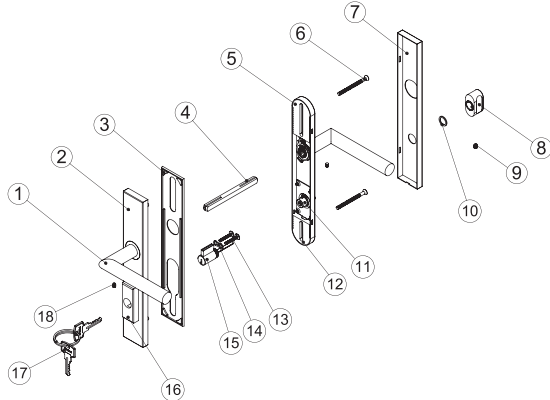
American Cylinder Escutcheons,
Rectangle, 64 x 24.5 x 12.5mm
EC-63S



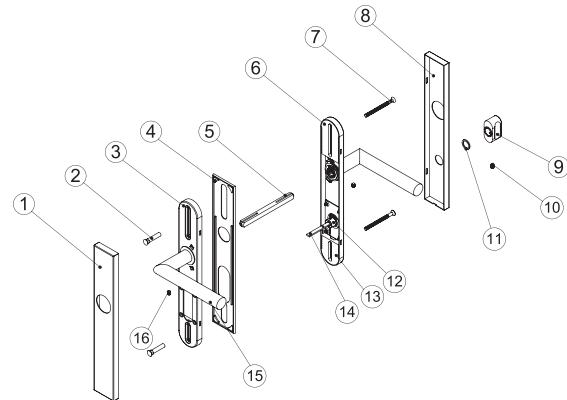
Machine Screw M4 x 20mm Pan Head,
for fixing knob cylinder to escutcheon
FS-M4 x 20-PAN



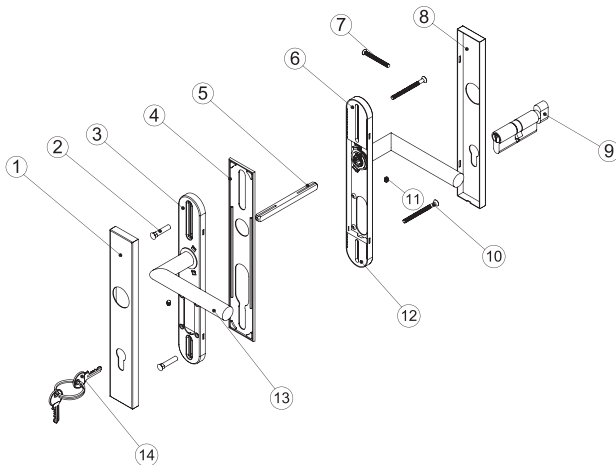
Exploded Diagrams

MA55 (Entry For American Cylinder)

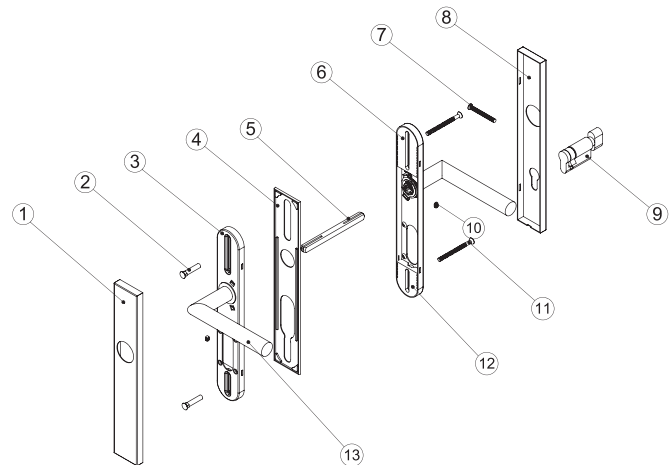
- | | |
|--|---|
| 1. Outside Lever | 10. Thumb-turn washer |
| 2. Outside Plate and Sub-plate for Entry | 11. Thumb-turn Shaft |
| 3. Gasket | 12. Nylon Insert |
| 4. Spindle 8mm Square | 13. Screws for fixing American cylinder |
| 5. Inside Sub-plate with Lever | 14. Bracket for Cylinder |
| 6. M5 Thru-bolt | 15. American Cylinder |
| 7. Inside Plate | 16. American Cylinder Escutcheon |
| 8. Thumb-turn | 17. Keys |
| 9. Set screw for Thumb-turn | 18. Lever Set Screw |

MA15 (Entry For American Patio)

- | | |
|--------------------------------|------------------------------|
| 1. Outside Plate | 9. Thumb-turn |
| 2. Bolt Sleeve | 10. Set screw for Thumb-turn |
| 3. Outside Sub-plate | 11. Thumb-turn washer |
| 4. Gasket | 12. Thumb-turn Shaft |
| 5. Spindle 8mm Square | 13. Nylon Insert |
| 6. Inside Sub-plate with Lever | 14. Tail-piece |
| 7. M5 Thru-bolt | 15. Outside Lever |
| 8. Inside Plate | 16. Lever Set Screw |

MA35 (Entry For Euro Cylinder)

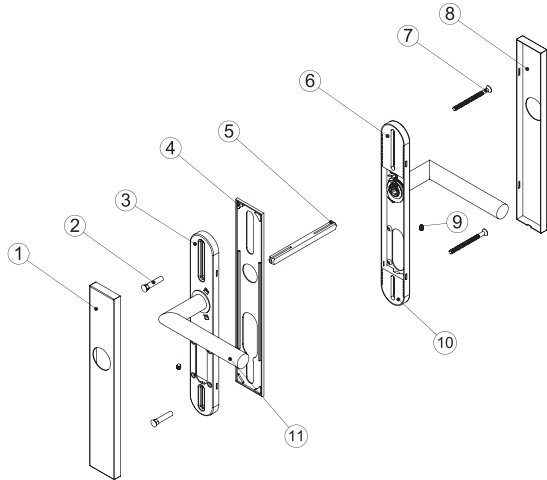
- | | |
|--------------------------------|---------------------|
| 1. Outside Plate | 8. Inside Plate |
| 2. Bolt Sleeve | 9. Euro Cylinder |
| 3. Outside Sub-plate | 10. M5 Thru-bolt |
| 4. Gasket | 11. Lever Set Screw |
| 5. Spindle 8mm Square | 12. Nylon Insert |
| 6. Inside Sub-plate with Lever | 13. Outside Lever |
| 7. Screws for fixing Cylinder | 14. Keys |

MA25 (Entry For Euro Patio)

- | | |
|--------------------------------|-------------------------------|
| 1. Outside Plate | 7. Screws for fixing Cylinder |
| 2. Bolt Sleeve | 8. Inside Plate |
| 3. Outside Sub-plate | 9. Euro Cylinder |
| 4. Gasket | 10. Lever Set Screw |
| 5. Spindle 8mm Square | 11. M5 Thru-bolt |
| 6. Inside Sub-plate with Lever | 12. Nylon Insert |
| | 13. Outside Lever |

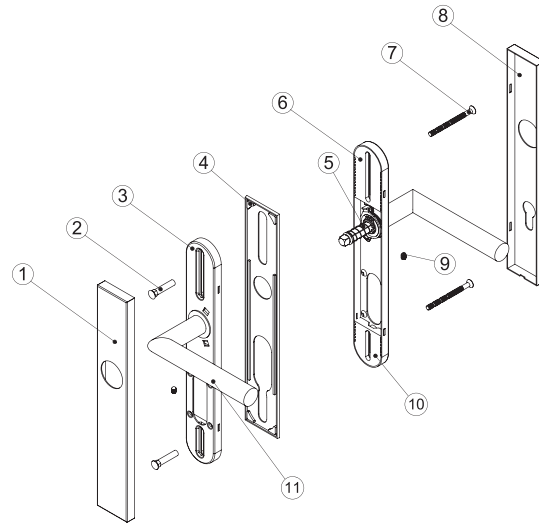
Exploded Diagrams

MA10 (Passage)



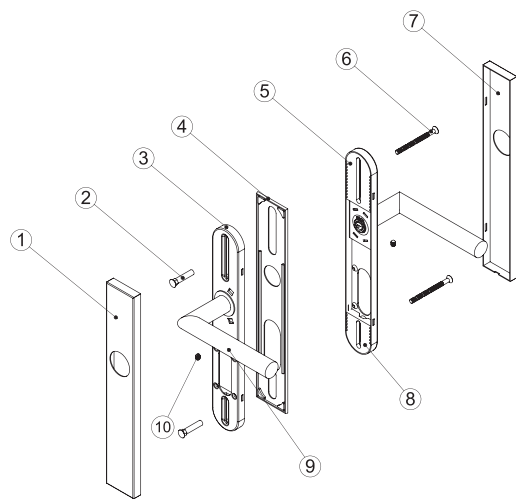
- | | |
|--------------------------------|--------------------|
| 1. Outside Plate | 7. M5 Thru-bolt |
| 2. Bolt Sleeve | 8. Inside Plate |
| 3. Outside Sub-plate | 9. Lever Set Screw |
| 4. Gasket | 10. Nylon Insert |
| 5. Spindle 8mm Square | 11. Outside Lever |
| 6. Inside Sub-plate with Lever | |

MA20 (Half Passage Half Dummy)



- | |
|--------------------------------|
| 1. Outside Plate |
| 2. Bolt Sleeve |
| 3. Outside Sub-plate |
| 4. Gasket |
| 5. Spring Spindle 8mm Square |
| 6. Inside Sub-plate with Lever |
| 7. M5 Thru-bolt |
| 8. Inside Plate |
| 9. Lever Set Screw |
| 10. Nylon Insert |
| 11. Outside Lever |

MADP (Full Dummy)



- | | |
|--------------------------------|---------------------|
| 1. Outside Plate | 6. M5 Thru-bolt |
| 2. Bolt Sleeve | 7. Inside Plate |
| 3. Outside Sub-plate | 8. Nylon Insert |
| 4. Gasket | 9. Outside Lever |
| 5. Inside Sub-plate with Lever | 10. Lever Set Screw |

Care and Maintenance

Lever and Knob Handles

On installations where the correct procedures have been carried out per the instructions, the lever handles will not require adjustment. However, all fixings should be checked for tightness annually. Any loose fixings should be adjusted. Badly fitted furniture can cause interference with the operation of the lock and at the same time, damage the surface of the furniture. INOX[®] snap-on rose covers should only be removed using proper tools. A screw driver blade should never be used as this can distort the rose cap out of alignment and scratch the surfaces of both product and door.

Care of Finishes

Today's environment exerts immense pressures on product material requirements. Products must withstand a diversification of atmospheric conditions, such as high pollution, marine locations, and high humidity climates. Additionally, products must be protected against cleaning agents/solutions and ideally the product should offer hypo-allergenic properties.

Stainless Steel

Stainless steel is renowned for the following two properties; resistance to corrosion and low maintenance requirements. Stainless steel corrosion resistance is attributable to the presence of a thin, durable film of passive, but stable, chromium oxide. Being inert, invisible, extremely adherent and self-repairing, this film provides an unrivalled protection for the steel; should the film be damaged or removed it will regenerate independently, provided that oxygen is present to allow the reaction to occur with the chromium content of the steel. Therefore you must ensure regular cleaning and maintenance, to restore the original surface appearance, prevent corrosion and maintain hygienic conditions.

Cleaning Technique

It is important to clean stainless steel regularly.

- Initially, wash down the surface using soapy water or a mild detergent.
- Always thoroughly rinse the cleaning agent away with clean, warm water.
- To complete the cleaning procedure, dry/polish the item with a soft, dry cloth.

Note: Within aggressive conditions, such as offshore, marine and swimming pool environments, it is especially relevant to ensure that cleaning maintenance occurs regularly.

Discoloration

If spots appear on the surface it is not due to the stainless steel, but to impurities in the water, the air or to cleaning agents that have not been thoroughly removed from the surface.

- Spots can be avoided by careful cleaning.
- If discoloration or spots occur they can be removed by using special polishing agents for stainless steel or a light scouring cream.
- Again rinse thoroughly with clean water and polish with a soft, dry cloth.

What to Avoid!

- Scouring powders
- Steel wool
- Strong abrasive materials

Note: Acid based cleaning solutions, except for hydrochloric acid, may be used on AISI 304 stainless steel as long as thoroughly rinsed with clean water afterwards. For further information on stainless steel, please contact your local INOX[®] distributor for the INOX[®] Stainless Steel Technical Details information sheet.

Product Warranty

Limited Lifetime Warranty

Unison Hardware, Inc. warrants that its INOX® residential products shall be free from defects in material and workmanship for the life of the product, excluding components made of wood, leather or plastic. This warranty extends to the original purchaser and the first consumer owner only. If a product fails due to defects in material or workmanship during the warranty period we will replace it with the most nearly identical product which we sell at the time or refund the original purchase price. Unison Hardware, Inc. will not be liable for any labor charges or freight costs incurred in connection with repair or replacement of a product. Our sole and maximum liability for defective goods (Sold and manufactured by Unison Hardware, Inc.) shall never exceed the cost of the subject products.

This warranty does not cover:

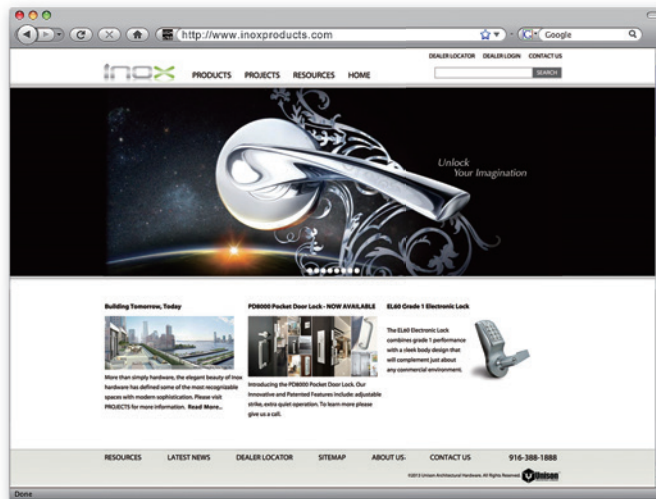
- a. Damage resulting from negligence, misuse, abuse or accident occurring after installation
- b. Damage due to use outside normal architectural requirements
- c. Defects resulting from any modification or improper installations
- d. Improper torquing (tightening) during or after installation
- e. Improper door preparations
- f. Use of residential grade products in commercial applications (i.e. public building, restaurants, offices etc.)
- g. Products installed within three miles of the ocean
- h. Products installed in exterior application and/or exposed to the outdoor weather or elements

Limited Lifetime Finish Warranty

Unison Hardware, Inc. warrants its INOX® products made of stainless steel material against tarnishing. This warranty is extended to the original purchaser of INOX® products as long as the User occupies the residential premises on which the Products were originally installed. Not covered under this warranty are:

- a. Products which have been scratched or abraded
- b. Products which have been incorrectly installed or mistreated
- c. Products installed within three miles of water (ocean, lakes, rivers, etc.), harsh environments and/or commercial or industrial applications
- d. Products installed in exterior application and/or exposed to the outdoor weather or elements
- e. Finishes which are specifically designed to wear over time (i.e. Oil Rubbed Bronze finish)

UNISON HARDWARE, INC. MAKES NO OTHER WARRANTY, AND ALL IMPLIED WARRANTIES INCLUDING ANY WARRANTY OF MERCHANTABILITY OR FITNESS FOR A PARTICULAR PURPOSE ARE LIMITED TO THE DURATION OF THE EXPRESSED WARRANTY PERIOD AS SET FORTH ABOVE. THE COMPANY'S MAXIMUM LIABILITY HEREUNDER IS LIMITED TO THE PURCHASE PRICE OF THE PRODUCT. IN NO EVENT SHALL THE COMPANY BE LIABLE FOR ANY CONSEQUENTIAL, INDIRECT, INCIDENTAL OR SPECIAL DAMAGES OF ANY NATURE ARISING FROM THE SALE OR USE OF THIS PRODUCT, WHETHER IN CONTRACT, TORT, STRICT LIABILITY OR OTHERWISE. THIS LIMITED WARRANTY IS IN LIEU OF ALL OTHER WARRANTIES, EXPRESSED OR IMPLIED, INCLUDING THE IMPLIED WARRANTIES OF FITNESS AND MERCHANTABILITY. THERE ARE NO WARRANTIES WHICH EXTEND BEYOND THE DESCRIPTION ON THE FACE HEREOF.



Please visit our website
www.inoxproducts.com
for more technical and new product information.



Unison Hardware, Inc.

6 Wayne Court, Sacramento, CA 95829, USA

Tel: +1.916.388.1888 Fax: +1.916.388.8322

Email: info@unisonhardware.com