

Features

- ◆ **Lighting:** Lighting uses 50 Watt Halogen Spots (PAR20). (Bulbs NOT Included)
- ◆ **Heat Sensor:** Fire Safety Thermostat with Automatic turn ON when temp. reaches 130 degrees. Not available on SD4 model.
- ◆ **Filters:** Stainless Steel Baffle (10” High) or Aluminum Mesh Filters (6” High).
- ◆ **Stacks:** Made to your specifications. See reverse side for stack calculations.
- ◆ **Custom:** Custom sizes available. Call with exact dimensions for pricing and delivery time.
- ◆ **Rails:** Decorative Rails Available.
- ◆ **Optional Remote Controls:** Remote control wiring available on select models.

Specifications

- ◆ **Power:** “Air-Ring” Fan and Flame Retardant Centrifugal Blowers. 430 to 1425 CFM.
- ◆ **Stainless Steel:** Complete **Stainless Steel** Construction for Durability and Fire Safety.
- ◆ **Finishes:** Standard: Stainless Steel, White or Black powder coat available. **Optional:** Over 60 custom colors available.
- ◆ **Distance Codes:** Check local city, county and cooking appliance specifications. UL tested for 36” above cooking surface.
- ◆ **Installation:** Includes wood mounting frame and duct cover, made to your specifications for easy installation.

Warranty

- ◆ **Warranty: 7 Year, In-Home—Parts & Labor. (Best in the Industry!)**
- ◆ No performance” Warranty when used above BBQ Style Grills/Griddles. Call to discuss.

MODELS	POWER CFM	MOTOR TYPE	CONTROLS	SONES LOW - HI	DEPTH	LIGHTS	DUCT	SIZES
IS2000PSB	635	Dual Blowers	Variable	1.5 - 4.6	28-1/8”	Front /Back Panel	Singe 7”	30”, 36”, 42”& 48”
IS2000PSB-8	745	Dual Blowers	Variable	1.5 - 4.6	28-1/8”	Front/Back Panel	Single 8”	30”, 36”, 42”& 48”
IS2000PS1-TWB	1100	Twin Blowers	Variable	1.5 - 4.6	28-1/8”	Front /Back Panel	Two 7”	36” to 54”
IS2000PS1-TWB-8	1320	Twin Blowers	Variable	1.5 - 4.6	28-1/8”	Front/Back Panel	Two 8”	36” to 54”
IS2000PS	750	Dual Blowers	Variable	1.5 - 4.6	28-1/8”	Front/Back Panel	Single 7”	30”, 36”, 42”& 48”
IS2000PS-8	900	Dual Blowers	Variable	1.5 - 4.6	28-1/8”	Front /Back Panel	Single 8”	30”, 36”, 42”& 48”
IS2000PS1-TW	1270	Twin Blowers	Variable	1.5 - 4.6	28-1/8”	Front/Back Panel	Two 7”	36” to 54”
IS2000PS1-TW-8	1425	Twin Blowers	Variable	1.5 - 4.6	28-1/8”	Front/Back Panel	Two 8”	36” to 54”
IS2000SD4	430	Air Ring Fan	Variable	2.5 - 7.6	28-1/8”	Front/Back Panel	Single 7”	30”, 36” & 42”



Island Specifications

NOTE

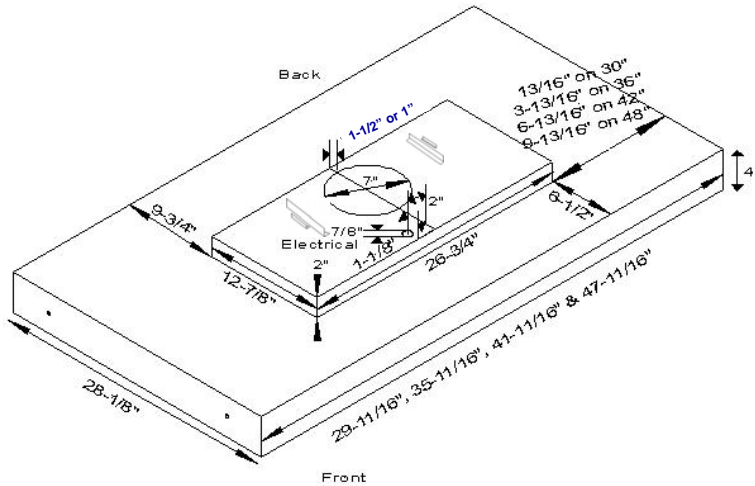
IS2000

Vent size 7 round
Top box, dimension from 7" exit to edge 1-1/2"

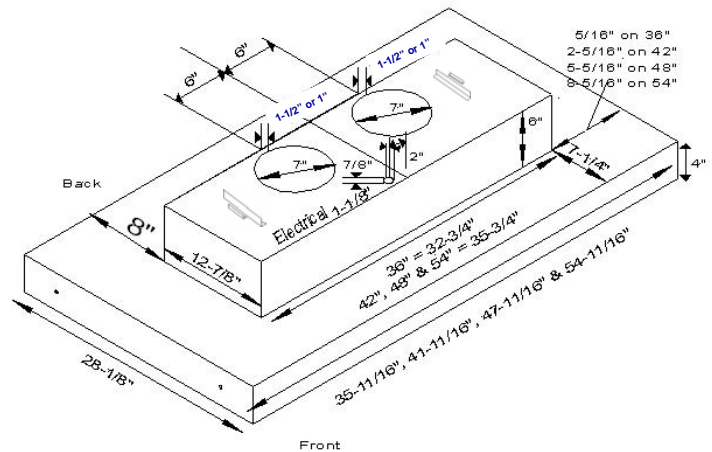
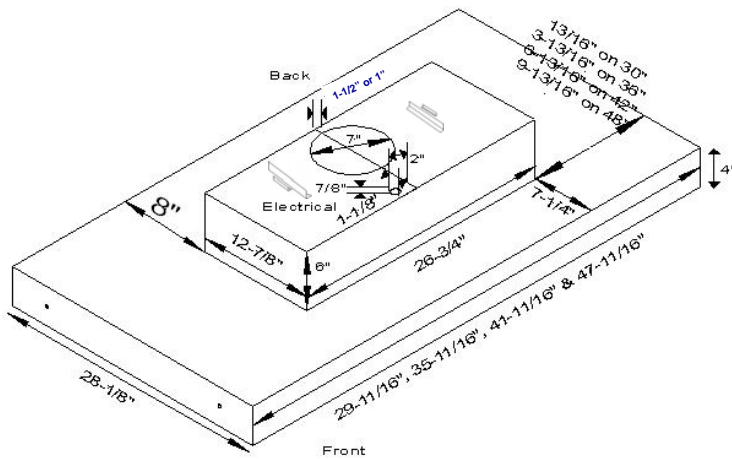
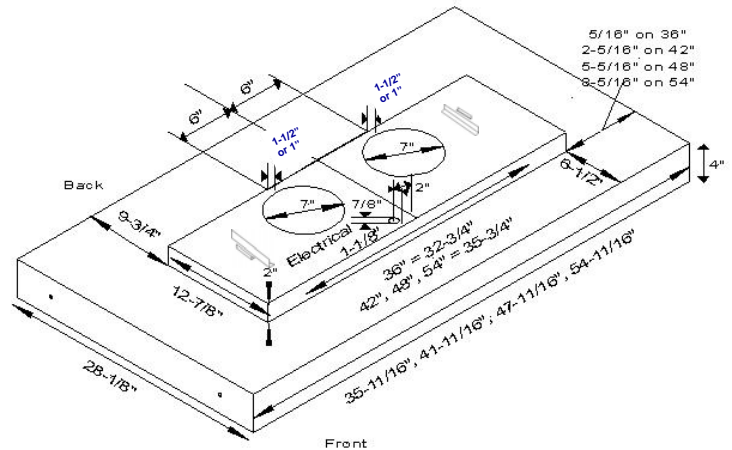
All other dimensions remain the same.

IS2000-8

Vent size 8" round by 3-1/2" high.
Top box, dimension from 8" exit to back edge 1".



8" Transition
8" Round x 3-1/2" high



CEILING HEIGHT _____
COUNTER HEIGHT = 36"
MOUNTING HEIGHT = 36"
HOOD HEIGHT = 6"

Subtract counter height and mounting height from total ceiling height, then subtract height of hood—this will give you your stack height.

Example for an 8 Foot Ceiling: 96" minus— 36" minus— 36" minus— 6" = 18" high stack

IS2000PS or IS2000PSB

Model # IS-STK-(Finish)-HEIGHT

BL = Black, WH = White, SS = Stainless Steel

11.5" x 11.5" x HEIGHT"

Price includes stack up to 48".

IS2000-TW or IS2000PS1-TWB

Model # ISTW-STK-(Finish)-HEIGHT

BL = Black, WH = White, SS = Stainless Steel

11.5" x 23.5" x HEIGHT"

Call for cost on custom sizes over 48".



SEVEN YEAR LIMITED WARRANTY, THE BEST IN THE INDUSTRY!

All dimensions are (+/-) 1/8" and are subject to change. Drawings are not to scale.

