

Imperial

Read Before Starting Installation!

Inspect your range hood prior to installing!

Any cosmetic defects must be reported to us prior to installation.

Once this hood is installed, ICP will NOT accept any responsibility for any cosmetic blemishes, scratches or dents in the Canopy.

Save all original packaging if you wish to return for any reason!

FIRST:

Check your local building and electrical codes.

WARNING:

To reduce the risk of fire or electrical shock, Do Not use any two speed motor units with a Solid State control devise.

CAUTION:

To reduce the risk of fire or personal injury and to properly exhaust air, be sure to duct air to the outside. DO NOT vent exhaust air into spaces within wall, attics, ceilings, crawl spaces or garages. When venting to the outside make duct run as short and straight as possible. Avoid using elbows if at all possible. DO NOT use duct pipe smaller than the outlet duct opening on the hood, this will reduce performance and void the warranty. DO NOT use flex ducting. Also, use either a Roof Cap or Wall Cap to end run. Be sure that all joints are taped securely in place.

It is essential to have the proper distance between the bottom of the range hood and the cooking surface below. In most cases the cooking appliance manufacturers specifications will establish the fire safe minimum distance required, although there are other factors to consider:

- Local Building Codes
- Cross directional air movements ie: open windows, air conditioning/heating outlets, cooling fans, etc.
- Overall size of the cooking appliance and surrounding countertop surfaces.
- Range hood model selected.

Minimum distance between cooking surface and the bottom of the hood is 30" and 36" is the maximum distance. Keep in mind, increasing the distance will decrease the performance.

Powered Liners Installation Detail:

MODELS:

C2000SD2
C2000SD4

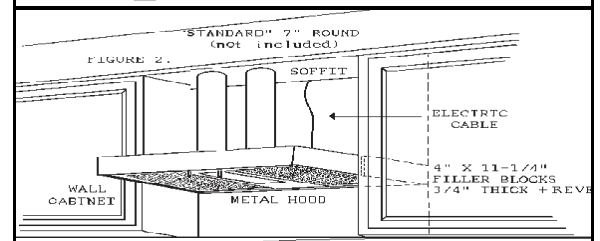
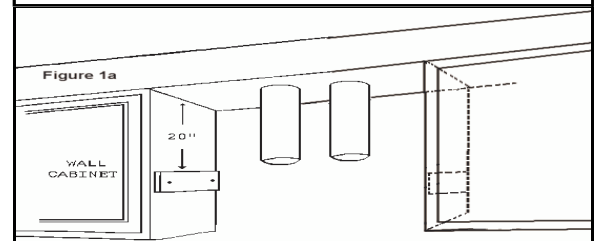
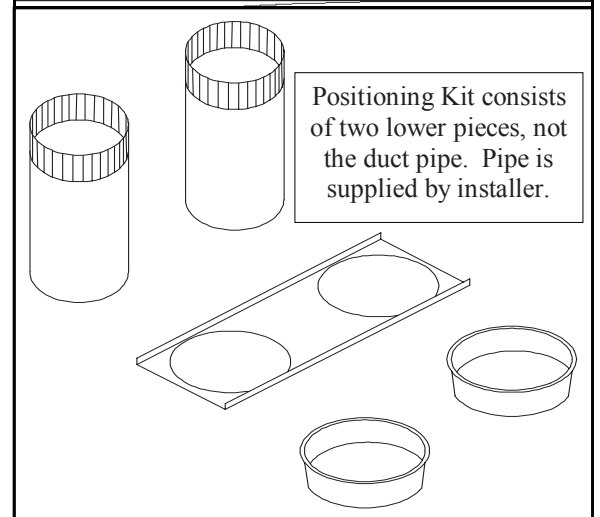
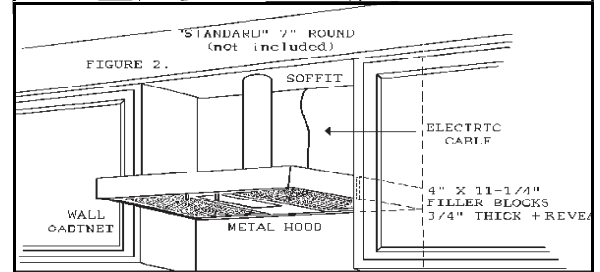
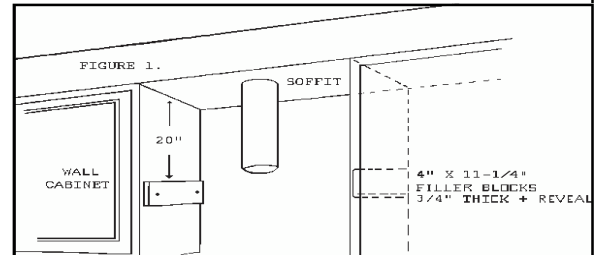
MODELS:

C2000BP1
C2000BP
C2000BP1-TW

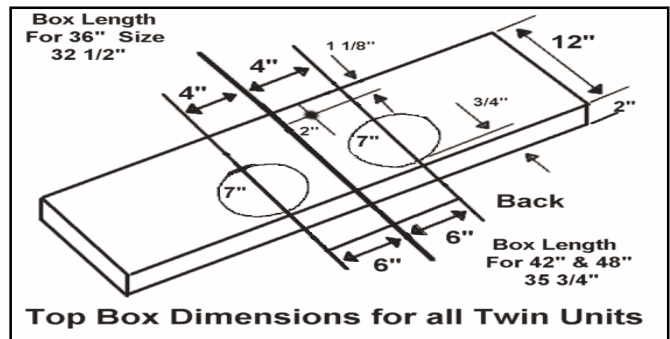
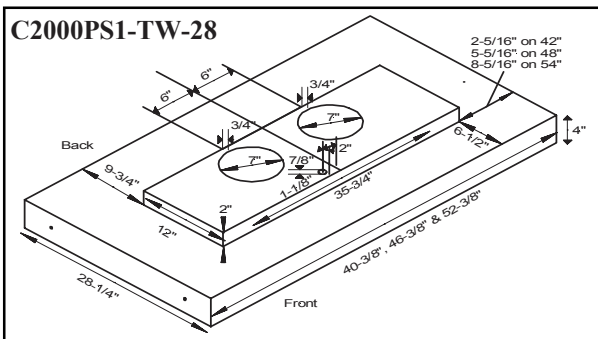
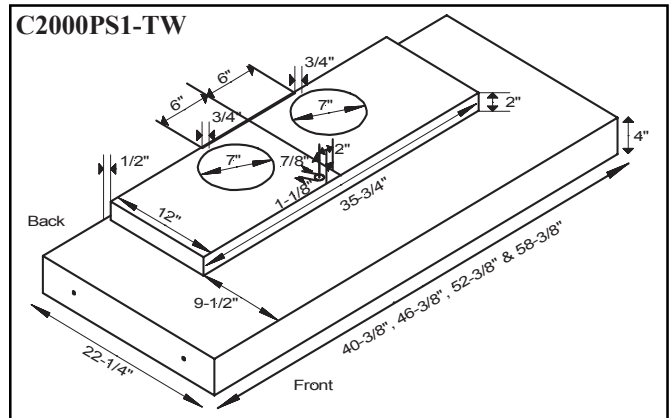
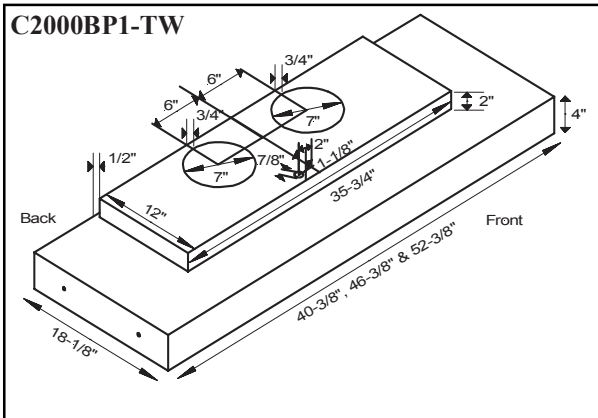
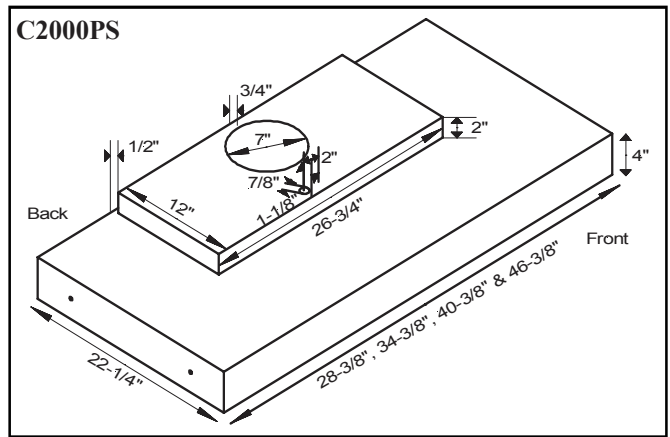
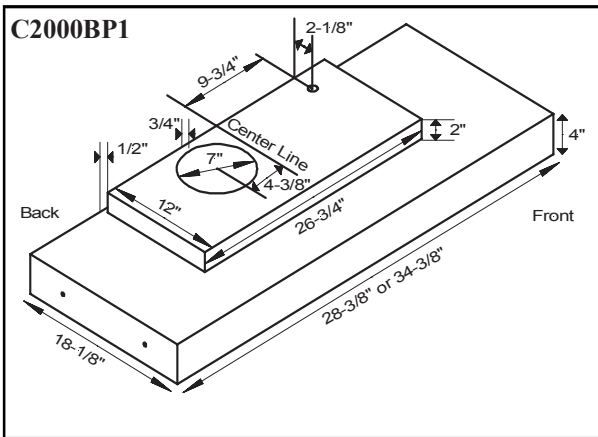
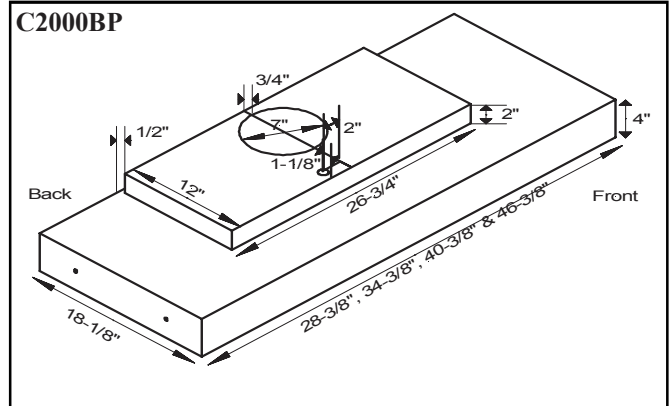
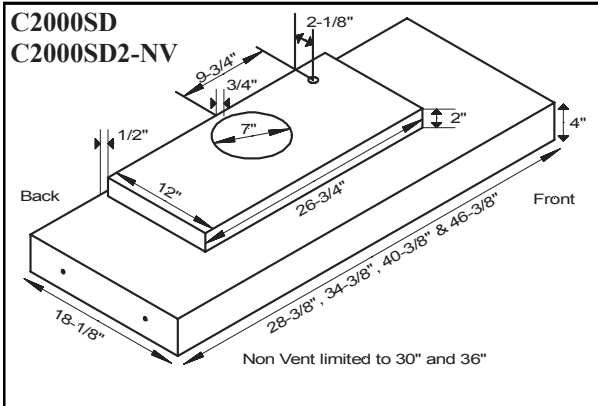
MODELS:

C2000PS
C2000PS1-TW

1. Scribe line below top of cabinet to meet with bottom of hood. Repeat on the opposite cabinet. (Figure 1)
2. Position 4" x 11 1/4" x 3/4" wood block flat on side of cabinet with end of filler block against wall and secure with screws. Remove Filters.
3. Raise and position Power Liner so that bottom is level with scribed lines on cabinets and drive screws through holes in the ends of the Powered Liner. (Figure 2)
Use our exclusive positioning kit if needed. The duct pipe or pipes should slip into the Automatic Seal Vent Collar. Be sure to remove the black tape that holds the Damper blades closed.
4. If required additional mounting at the Rear of unit:
Locate wall studs, drill holes through back of Powered Liner to hit studs and attach the Liner to the wall with screws.
5. Island and Peninsula Powered Liners should be mounted in the same way except there will be no rear wall mount.
6. Bring conduit down 4" past the bottom of the liner.
Note: Top box for the C2000BP1 shows vent opening Off set to the left (facing the hood). The lower box is the same size as in the drawing to the right.
7. Remove junction box cover from the C2000.
(Be sure to comply with all local electrical and safety codes).
8. Hook up electrical wires and secure reattach junction box.
9. Replace junction box cover. Install lights and replace filters.



Powered Liners Installation Detail Continued:



Powered Liners Installation Detail Continued:

Non-Vented Series: C2000SD2-NV

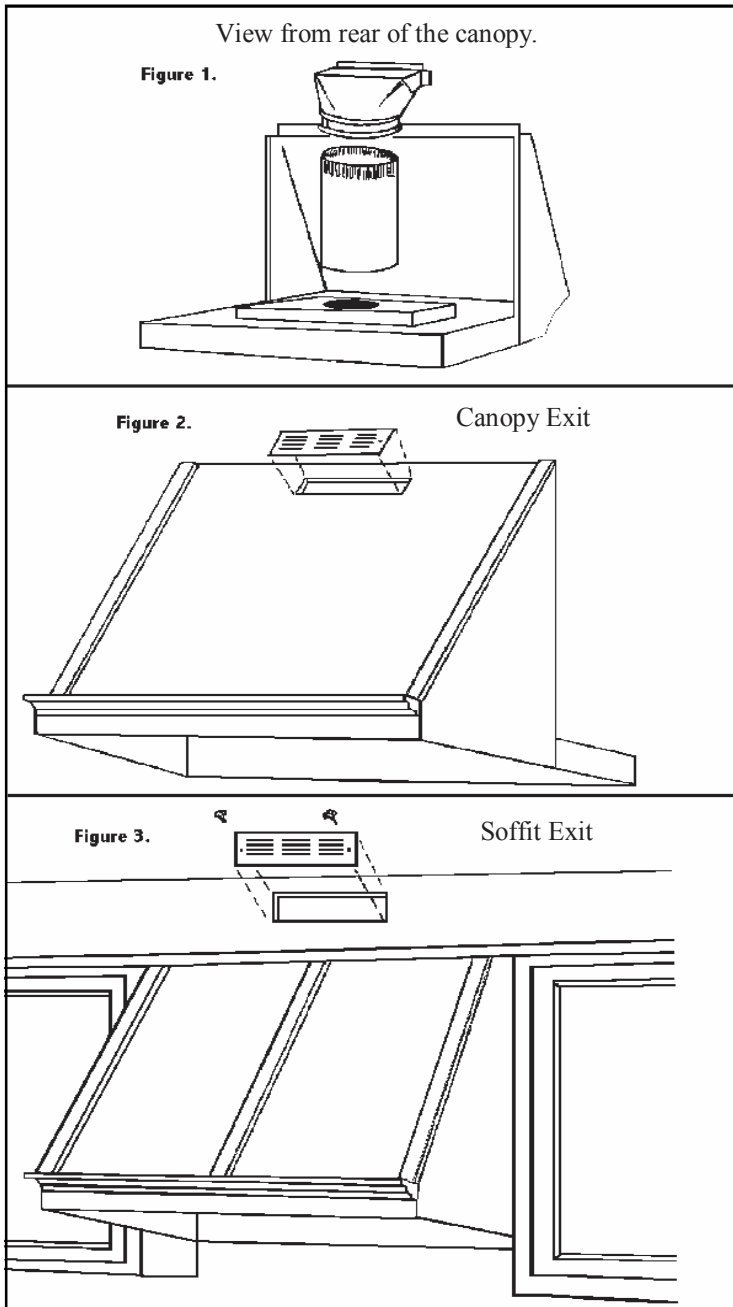


Figure 1:

Figure one shows the transition elbow that enables the Powered Liner to be converted to a Non Vented unit. You will need to purchase the required duct pipe to extend between opening on the liner and the exit location of your choice. You must vent the air out of the canopy. The location of the exit is determined by the homeowner or installer.

Figures 2 and 3:

Two possible locations for the exit. The Exit cover/grill is not supplied by Imperial but must be obtained by your installer from your local retail builder supplier.

The C2000NV comes with Combo Charcoal Filters that need to be replaced at regular intervals. How often it should be changed depends on the amount and type of cooking being done. Once the filter is saturated it must be thrown away, it can not be cleaned.

The C2000SD2-NV uses a 75 Watt incandescent bulb.
(Bulb not included)

PARTS:

When ordering Parts we need the following information:

- Model Number (not serial number) found on UL label inside hood.
- Exact dimensions (in the case of filters)

You can find the model number on the inside of your hood on our UL label. There will be a several model numbers listed, your model number should have some kind of mark next to it to indicate the exact model you have.

In the case of Filters we will need the exact dimensions of the filter needed. Indicate which side has the pull tabs on it. Filters are not a warranty replacement part. With care your filters should last many years.

SERVICE:

When calling in for Service we need the following information:

- Model Number (not serial number)
- Proof of Purchase
- Name of company you purchased the hood through.
- Name & Phone number of the person to contact to set up the service call.
- Full address of the location where service is to be done.

Warranty on the Economy Hood is One Year Parts only.

Warranty on all others is Five Years, Parts and Labor.

Maintenance & Warranty Information

This product has the simplest of cleaning requirements.

All metal filters are dishwasher safe! Clean filters often for the best performance. How often depends on amount and type of cooking. When cleaning a painted hood, wash it with mild, soapy water ONLY! Wipe the hood thoroughly with clean

water and dry with soft cloth. When cleaning Stainless Steel use a cleaner specifically for Stainless Steel. Always rub with the grain using non-abrasive cleaning materials. Avoid detergents, disinfectants or cleaning products in aerosol cans. NEVER use abrasive scouring powders on your hood! Some cleaning chemicals may damage the hood finish!

Exposed Center Panel Spot Lights: Incandescent 75 Watt Spot Lights (Par 20)

Recessed: Incandescent 75 Watt Bulbs

Exposed Front Panel Spot Lights: Halogen 50 Watt bulbs (R-20)

**Bulbs not included.

Warning: Do not use Halogen bulbs in sockets not intended for their use! They are to be used only in the Front Light Panels, not the Center Light Panels.

Your Imperial Warranty: Staple sales slip or cancelled check here. Proof of original purchase date is needed to obtain service under warranty.

Economy Units: One Year Limited Warranty on Parts Only.

Deluxe Units: Five Year Limited Warranty, Parts and Labor.

For five years from date of original purchase, we will provide parts and service labor in your home to repair or replace any part of the hood that fails due to a manufacturing defect. Call for service at (800) 851-4192

We do not cover service required due to improper installation or misuse of product. Please contact your dealer or installer. If we are called to the home, and the above is determined, there will be a service charge.

Warrantor is not responsible for incidental and consequential Damages.

SAFETY INSTRUCTIONS

Read and Save These Instructions

Warning: To reduce the risk of fire, electrical shock or injury to persons, observe the following:

- A. Use this unit only in the manner intended by the manufacturer. If you have any questions, contact the manufacturer. Before servicing or cleaning unit, switch power off at service panel and lock Service Disconnecting Means to prevent power from being switched on accidentally. When the Service Disconnecting Means cannot be locked, securely fasten a prominent warning device, such as a tag, to the service panel.

Warning: To reduce the risk of a range top grease fire:

- A. Never leave surface units unattended at high settings. Boilovers cause smoking and greasy spillovers that may ignite. Heat oils slowly on low or medium settings.
- B. Always turn hood ON when cooking at high heat or when Flambéing foods (i.e. Crepes Suzette, Cherries Jubilee, Peppercorn Beef Flambé).
- C. Clean ventilating fans frequently. Grease should not be allowed to accumulate on fans or filters.
- D. Use proper pan size. Always use cookware appropriate for the size of the surface element.

Warning: To reduce the risk of injury to persons in the event of a range top grease fire, observe the following:

- A. SMOTHER FLAMES with a close-fitting lid, cookie sheet or metal tray, then turn off the burner. BE CAREFUL TO PREVENT BURNS. If flames do not go out immediately, EVACUATE AND CALL THE FIRE DEPARTMENT.
- B. NEVER PICK UP A FLAMING PAN - you may be badly burned.
- C. DO NOT USE WATER, including wet dishcloths or towels, violent steam explosion will result.
- D. Use an extinguisher ONLY if:
 - ⇒ You know you have a Class ABC extinguisher and you already Know how to use it.
 - ⇒ The fire is small and contained in the area where it started.
 - ⇒ The fire department is being called.
 - ⇒ You can fight the fire with your back to an exit.

Warning: To reduce the risk of fire, electrical shock or injury to persons, observe the following:

- A. Installation work and electrical wiring must be done by a qualified person or persons in accordance with all applicable codes and standards, including fire-rated construction.
- B. Sufficient air is needed for proper combustion and exhausting of gases through the flue of fuel burning equipment to prevent back drafting. Follow the heating equipment manufacturer's guideline and safety standards such as those published by the National Fire Protection Association (NFPA), and the American society for Heating, Refrigeration & Air conditioning Engineers (ASHRAE), and the local code authorities.
- C. When cutting or drilling into a wall or ceiling, do not damage electrical wiring and other hidden utilities.
- D. Ducted fans must always be vented to the outdoors.

Warning: To reduce risk of fire, use only Smooth Metal Ducting!