

Features

- ◆ **Lighting:** 9.5 Watt Flood LED (50 Watt Halogen/PAR20 Equivalent/Dimmable) or 50 Watt Halogen Flood (PAR20)
- ◆ **SD4-12**— Two 8.5 Watt LED Dimmable or Two 75 Watt Incandescent (Bulbs NOT Included)
- ◆ **Heat Sensor:** Fire Safety Thermostat with Automatic turn ON when temp. reaches 130 degrees. N/A on SD2 or SD4 models.
- ◆ **Filters:** Aluminum Mesh filters. **Optional:** Slim Baffles available. Will reduce CFM by 10%.
- ◆ ***Flange:** Trim pieces available for an additional charge.
- ◆ **Custom:** Custom sizes available. Call with exact dimensions for pricing and delivery time.
- ◆ **Optional Modified Wiring:** Wiring for “remote” switch placement. Includes switches & knobs.
- ◆ **Re-Circulating:** SD2-NV Model includes charcoal type filter and elbow pipe transition to 3 1/4” x 10”.

Specifications

- ◆ **Power:** “Air-Ring” Fan and Flame Retardant Centrifugal Blowers. 360 to 1425 CFM.
- ◆ **Electrical:** 115 AC, 60 Hz, 9 Amps. Suggested use with 15 Amp circuit.
- ◆ **Stainless:** Complete **Stainless Steel** Construction for Durability and Fire Safety.
- ◆ **Distance Codes:** Check local city, county and cooking appliance specifications. UL tested at 36” above cooking surface. Optional 30” for SD4 & SD2 models.
- ◆ **Installation:** Simple, Stress Free, One Piece Installation with “Automatic Seal Vent Collar”.

Warranty

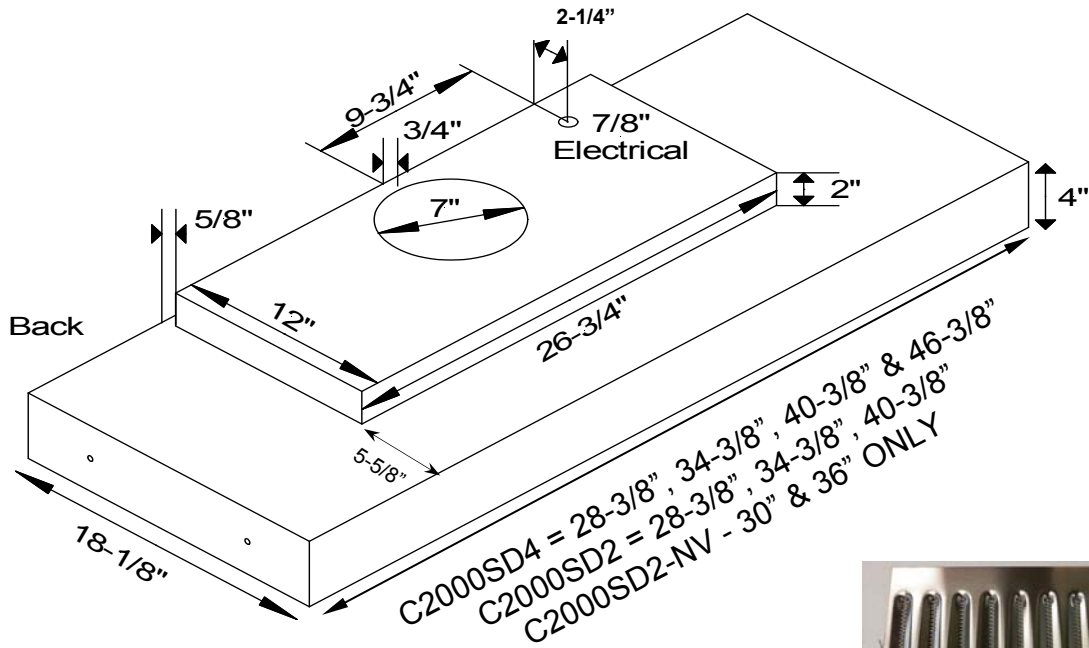
- ◆ **Warranty: 7 Year, In-Home—Parts & Labor. (Best in the Industry!)** No “Performance” Warranty when used above BBQ Style Grills, may not be satisfactory in all situations. Call to discuss.

| MODELS | POWER CFM | MOTOR TYPE | CONTROLS | SONES LOW - HI | DEPTH Front to Back | DUCT | LIGHTING | SIZES |
|--------------------|--------------|---------------|----------|-------------------|------------------------|-----------------------------|--------------|--------------------|
| C2000PS | 750 | Dual Blowers | Variable | 1.5 - 4.6 | 22 1/8” | Single 7” | Front Panel | 30”, 36”, 42”, 48” |
| C2000PS-8 | 900 | Dual Blowers | Variable | 1.5 - 4.6 | 22 1/8” | Single 8” | Front Panel | 30”, 36”, 42”, 48” |
| C2000PS-K | 1000 | Dual Blowers | Variable | 1.5 - 4.6 | 22 1/8” | Single 10” | Front Panel | 30”, 36”, 42”, 48” |
| C2000PS1-TW | 1270 | Twin Blowers | Variable | 1.5 - 4.6 | 22 1/8” | Two 7” | Front Panel | 36” to 60” |
| C2000PS1-TW-8 | 1425 | Twin Blowers | Variable | 1.5 - 4.6 | 22 1/8” | Two 8” | Front Panel | 36” to 60” |
| C2000BP1 | 625 | Single Blower | Variable | 1.5 - 4.6 | 18 1/8” | Single 7” ^{Offset} | Front Panel | 30”, 36”, 42” |
| C2000BP1-8 | 750 | Single Blower | Variable | 1.5 - 4.6 | 18 1/8” | Single 8” ^{Offset} | Front Panel | 30”, 36”, 42” |
| C2000BP | 735 | Dual Blowers | Variable | 1.5 - 4.6 | 18 1/8” | Single 7” | Front Panel | 30”, 36”, 42”, 48” |
| C2000BP-8 | 880 | Dual Blowers | Variable | 1.5 - 4.6 | 18 1/8” | Single 8” | Front Panel | 30”, 36”, 42”, 48” |
| C2000BP-K | 1000 | Dual Blowers | Variable | 1.5 - 4.6 | 18 1/8” | Single 10” | Front Panel | 30”, 36”, 42”, 48” |
| C2000BP1-TW | 1250 | Twin Blowers | Variable | 1.5 - 4.6 | 18 1/8” | Two 7” | Front Panel | 36” to 60” |
| C2000BP1-TW-8 | 1425 | Twin Blowers | Variable | 1.5 - 4.6 | 18 1/8” | Two 8” | Front Panel | 36” to 60” |
| C2000SD4 | 430 | Air-Ring Fan | Variable | 2.5 - 7.6 | 18 1/8” | Single 7” | Center Panel | 30”, 36”, 42”, 48” |
| C2000SD2 | 360 | Air-Ring Fan | Rocker | 2.5 - 4.9 | 18 1/8” | Single 7” | Center Panel | 30”, 36”, 42” |
| C2000SD2-NV | N/A | Air-Ring Fan | Rocker | 2.5 - 4.9 | 18 1/8” | N/A | Center Panel | 30”, 36” |
| C2000SD4-12 | 430 | Air-Ring Fan | Variable | 2.5 - 7.6 | 11 1/4” | Single 7” | Recessed | 24”, 30” 36” & 42” |

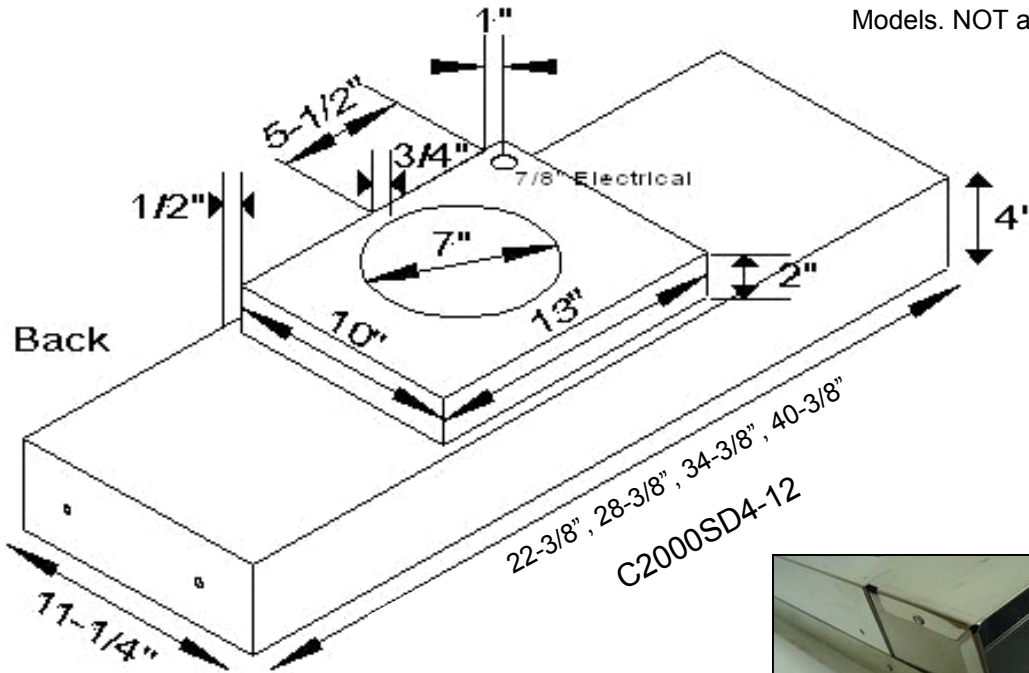
***Optional Flange—Custom fit your liner with standard 3/4” flanges. Other sizes available. Call for a quote.**



Powered Liner Specifications



Slim Baffle Available on SD4 or SD2 Models. NOT available on SD4-12.



*3/4" Flange for perfect fit. Flange NOT included. Must be ordered separately.



SEVEN YEAR, IN HOME, LIMITED WARRANTY, THE BEST IN THE INDUSTRY!

All dimensions are (+/-) 1/8" and are subject to change. Drawings are not to scale.