



**Features**

- ◆ **Lighting:** Lighting uses 75 Watt (Max.) Incandescent. (Bulbs NOT Included)
- ◆ **Heat Sensor:** Fire Safety Thermostat with Automatic turn ON when temp. reaches 130 degrees on PS1 model.
- ◆ **Filters:** Aluminum Mesh Filters.
- ◆ **Filtration:** Extends to 10" in open position on PS1 model. Extends 6" on SD4 and SD2 models.
- ◆ **Custom:** Custom sizes available. Call with exact dimensions for pricing and delivery time.

**Specifications**

- ◆ **Power:** "Air Ring Fan" or Flame Retardant Centrifugal Blowers. 360 to 775 CFM.
- ◆ **Electrical:** 115 AC, 60 Hz, 9 Amps. Suggested use with 15 Amp circuit.
- ◆ **Finish:** White or Black powder coat.
- ◆ **Front Panel:** Wood Front ready, Stainless Steel or Black or White Plexi Panel. (Wood panel supplied by Cabinet Maker)
- ◆ **Distance Codes:** Check local city, county and cooking appliance specifications. UL tested at 36" above cooking surface on PS1 model. 30" for SD4 & SD2 models.
- ◆ **Installation:** Includes mounting screws.

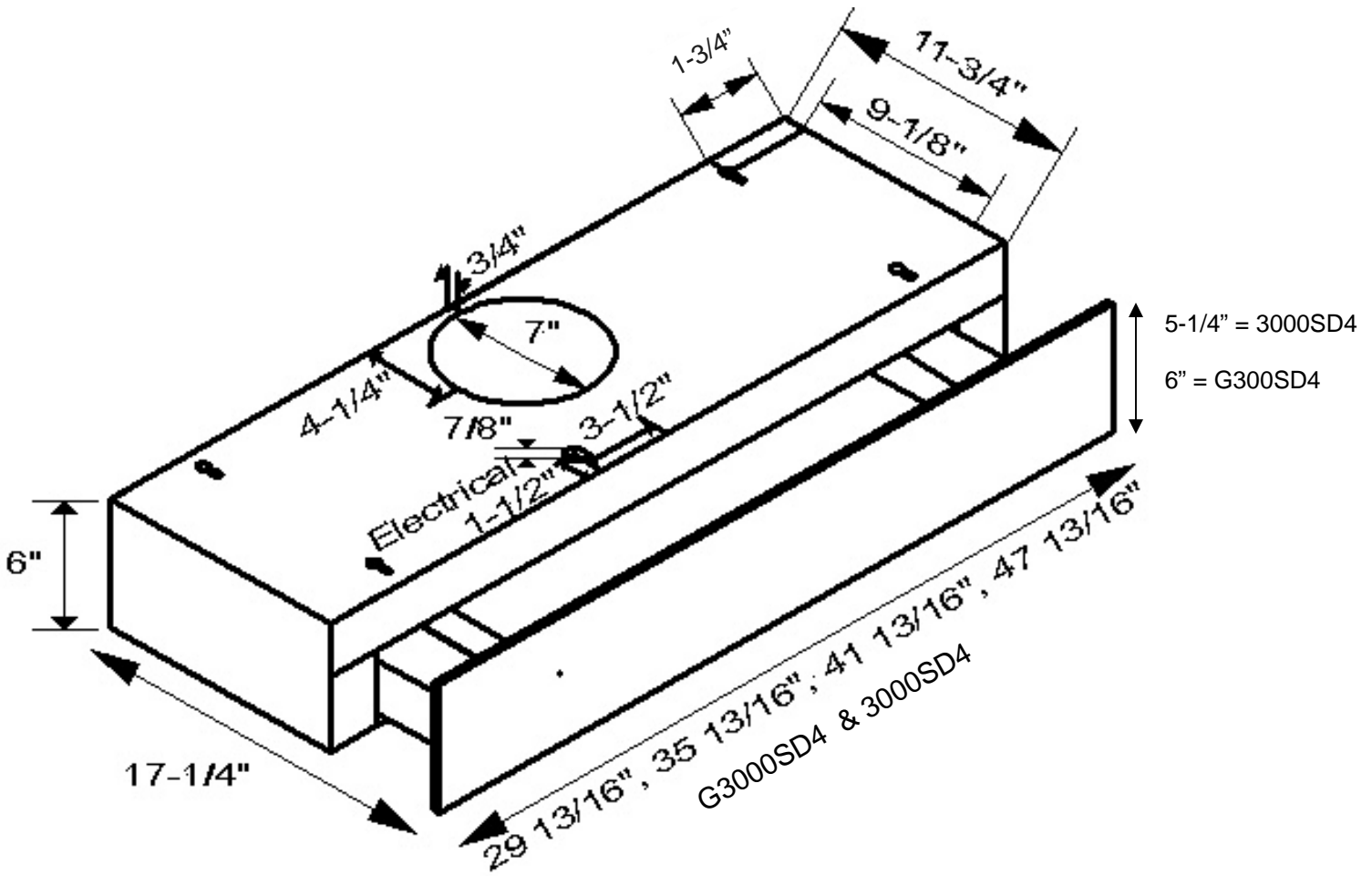
**Warranty**

- ◆ **Warranty: 7 Year, In-Home—Parts & Labor. (Best in the Industry!)**
- ◆ No "Performance" Warranty when used above BBQ Style Grills/Griddles. Call to discuss.

MODELS	POWER CFM	MOTOR TYPE	CONTROLS	SONES LOW -HI	DEPTH	WOOD FRONT READY	DUCT	SIZES
G3000PS1	635	Single Blower	Variable	1.6 - 4.6	11-3/4"		Single 7"	30", 36", & 42"
G3000PS1-8	775	Single Blower	Variable	1.6 - 4.6	11-3/4"		Single 8"	30", 36", & 42"
3000PS1	635	Single Blower	Variable	1.6 - 4.6	11-3/4"	X	Single 7"	30", 36", & 42"
3000PS1-8	775	Single Blower	Variable	1.6 - 4.6	11-3/4"	X	Single 8"	30", 36", & 42"
G3000SD4	430	Air-Ring Fan	Variable	2.5 - 7.6	11-3/4"		Single 7"	30", 36", 42", & 48"
3000SD4	430	Air-Ring Fan	Variable	2.5 - 7.6	11-3/4"	X	Single 7"	30", 36", 42", & 48"
G3000SD2	360	Air-Ring Fan	Rocker	2.5 - 4.9	11-3/4"		Single 7"	30", 36", & 42"
3000SD2	360	Air-Ring Fan	Rocker	2.5 - 4.9	11-3/4"	X	Single 7"	30", 36", & 42"



# Flush Mount Specifications



**SEVEN YEAR, IN HOME, LIMITED WARRANTY, THE BEST IN THE INDUSTRY!**

All dimensions are (+/-) 1/8" and are subject to change. Drawings are not to scale.