

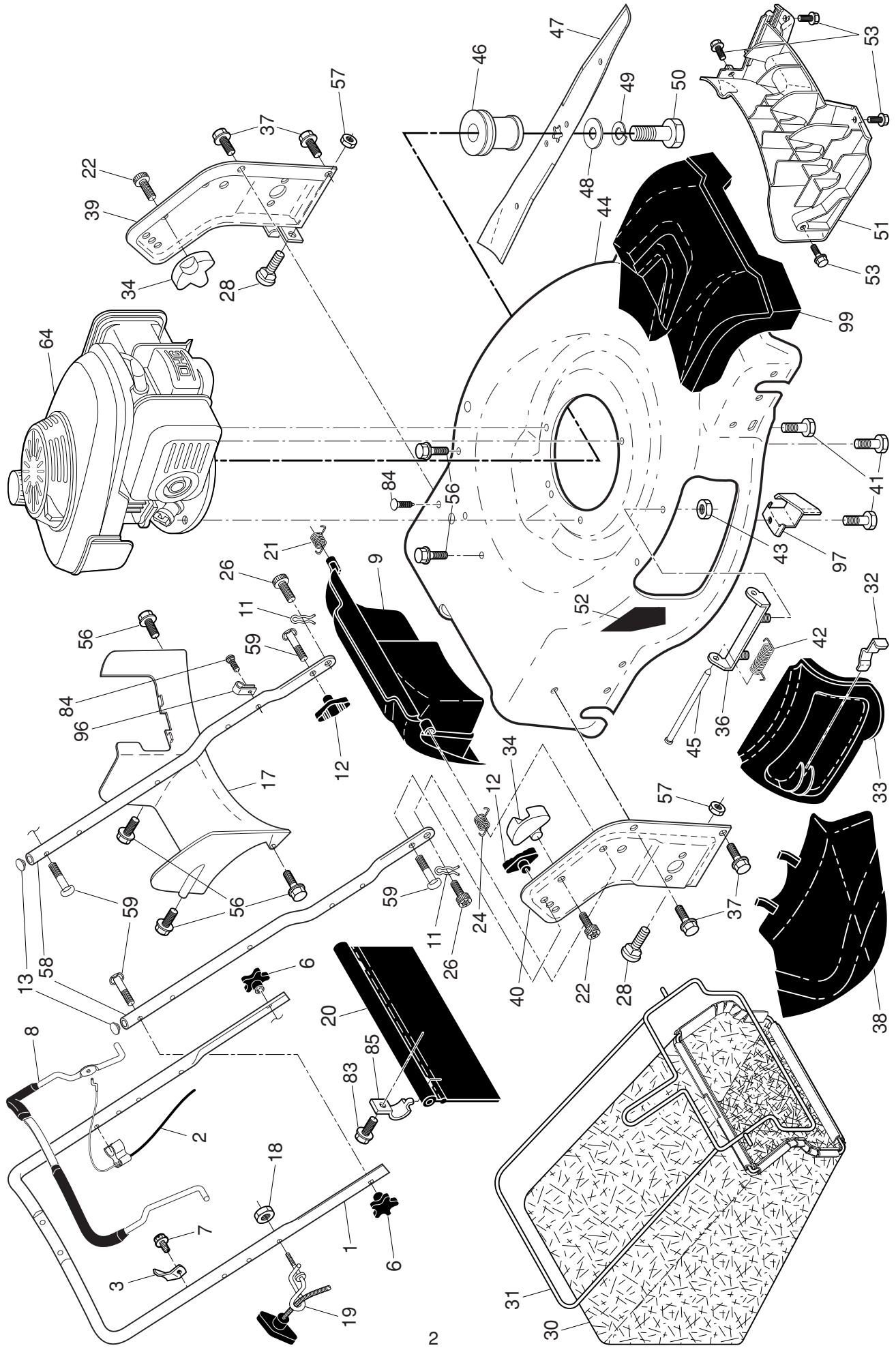
ILLUSTRATED PARTS LIST

MODEL NUMBER HU800H

PRODUCT NUMBER 961 43 00-99

MFG. ID. NUMBER 96143009901

HUSQVARNA ROTARY LAWN MOWER - MODEL NO. HU800H (96143009901) PRODUCT NO. 961 43 00-99

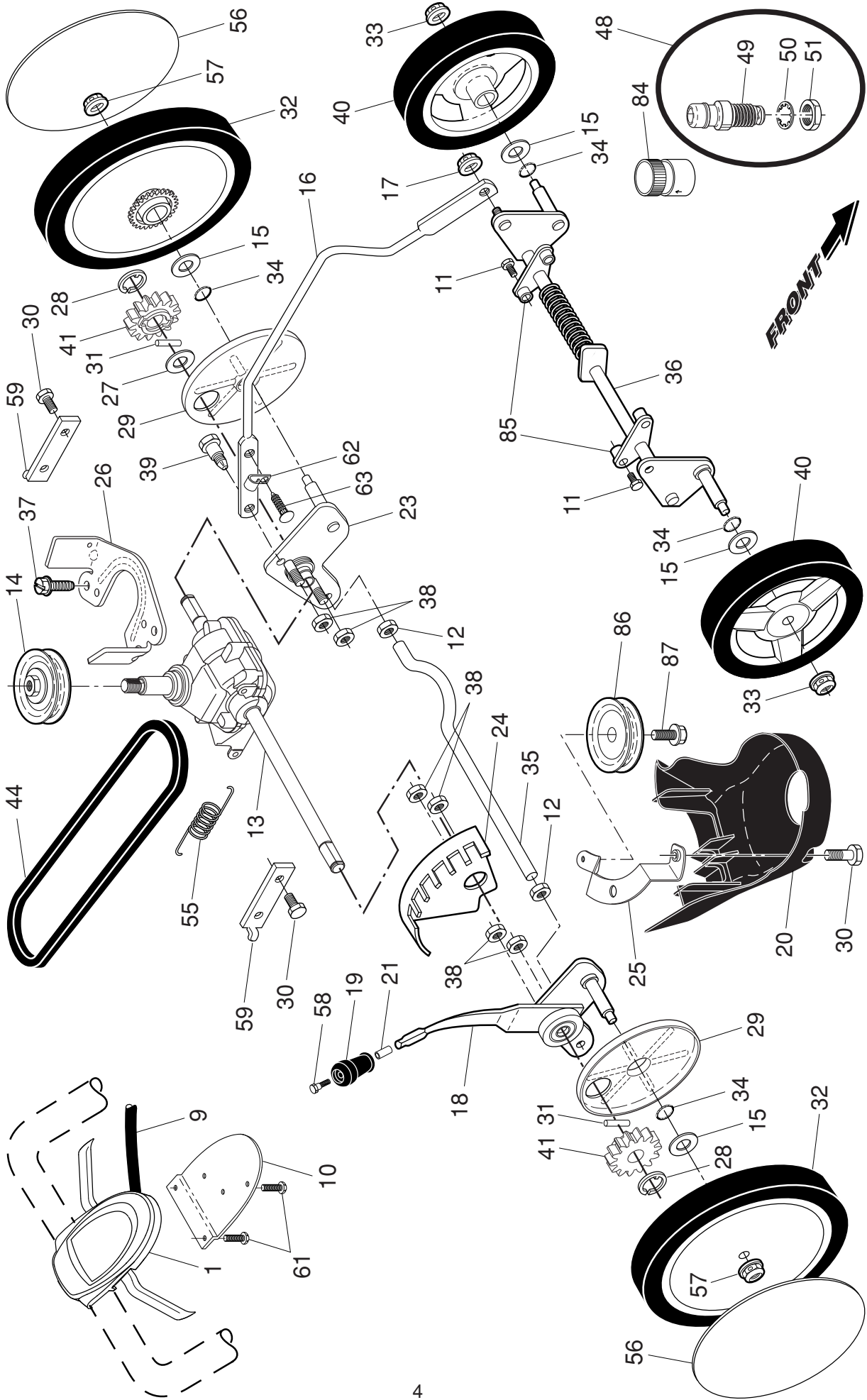


HUSQVARNA ROTARY LAWN MOWER - MODEL NO. HU800H (96143009901) PRODUCT NO. 961 43 00-99

| KEY PART NO. | KEY PART NO. | DESCRIPTION | DESCRIPTION | KEY PART NO. | KEY PART NO. | DESCRIPTION |
|--------------|--------------|-------------------------------------|-------------------------------------|--------------|--------------|--|
| 1 | 580 63 87-06 | Upper Handle Assembly | Upper Handle Assembly | 42 | 532 19 30-00 | Spring, Torsion |
| 2 | 532 42 74-97 | Cable, Engine Zone Control | Cable, Engine Zone Control | 43 | 532 19 17-30 | Nut, Hex |
| 3 | 532 43 00-34 | Bracket, Upstop | Bracket, Upstop | 44 | 532 44 62-61 | Kit, Lawn Mower Housing |
| 6 | 532 18 23-98 | Handle Knob, Star | Handle Knob, Star | 45 | 532 17 56-50 | Rod, Hinge |
| 7 | 532 17 88-48 | Screw, Hex Washer Head #10-16 x 5/8 | Screw, Hex Washer Head #10-16 x 5/8 | 46 | 581 85 15-01 | Blade Adapter |
| 8 | 580 84 91-02 | Control Bar, Molded | Control Bar, Molded | 47 | 580 24 40-01 | Blade, 22" |
| 9 | 532 43 13-90 | Rear Door Assembly | Rear Door Assembly | 48 | 532 85 10-74 | Washer, Hardened |
| 11 | 532 42 55-75 | Hairpin, Door/Handle Pivot | Hairpin, Door/Handle Pivot | 49 | 532 85 02-63 | Washer, Helical |
| 12 | 532 19 19-38 | Handle Knob, Standard | Handle Knob, Standard | 50 | 532 85 10-84 | Screw, Machine, Hex Head 3/8-24 x 1-3/8 Grade 8 |
| 13 | 532 43 75-16 | Plug, Lower Handle Bar | Plug, Lower Handle Bar | 51 | 581 23 89-01 | Front Baffle |
| 17 | 581 78 21-01 | Rear Baffle | Rear Baffle | 52 | 532 40 47-63 | Decal, Warning |
| 18 | 532 13 20-04 | Keps Locknut 1/4-20 | Keps Locknut 1/4-20 | 53 | 532 43 73-45 | Screw |
| 19 | 532 19 47-88 | Rope Guide | Rope Guide | 56 | 817 41 13-12 | Screw, Hex Washer Head #13 x 3/4 |
| 20 | 532 44 45-37 | Rear Skirt | Rear Skirt | 57 | 532 15 53-77 | Nut, Hex |
| 21 | 532 41 99-49 | Spring, Rear Door, LH, Black | Spring, Rear Door, LH, Black | 58 | 532 44 11-97 | Lower Handle |
| 22 | 532 14 18-41 | Screw, Panhead, Torx #20 | Screw, Panhead, Torx #20 | 59 | 532 19 15-74 | Handle Bolt |
| 24 | 532 41 99-48 | Spring, Rear Door, RH, Grey | Spring, Rear Door, RH, Grey | 64 | - - - | Engine, Honda, Model Number GCV160-LAOS3B (For engine service and replacement parts, call Honda Engines at 1-800-426-7701) |
| 26 | 532 41 99-45 | Screw, Rear Door/Handle Pivot | Screw, Rear Door/Handle Pivot | 83 | 532 75 00-97 | Screw, Hex Washer Head |
| 28 | 872 25 05-05 | Bolt, Carriage 5/16-18 x 5/8 | Bolt, Carriage 5/16-18 x 5/8 | 84 | 532 42 81-24 | Fastener, Push |
| 30 | 580 94 73-07 | Grassbag | Grassbag | 85 | 532 43 45-30 | Mounting Bracket, |
| 31 | 532 41 99-51 | Frame, Grass Catcher | Frame, Grass Catcher | 96 | 532 19 79-91 | Rear Skirt |
| 32 | 532 44 11-92 | Latch, Mulcher Door | Latch, Mulcher Door | 97 | 581 11 53-02 | Clip, Cable |
| 33 | 532 41 99-27 | Mulcher Door | Mulcher Door | 99 | 532 43 73-89 | Belt Keeper |
| 34 | 532 43 81-34 | Bracket, Grassbag | Bracket, Grassbag | - - | 581 70 85-49 | Front Shroud Assembly |
| 36 | 532 17 57-35 | Hinge Bracket Assembly | Hinge Bracket Assembly | - - | 581 70 85-49 | Operator's Manual, English / French |
| 37 | 817 00 05-10 | Screw, Hex Head 1/4-20 | Screw, Hex Head 1/4-20 | - - | 581 70 85-31 | Operator's Manual, Spanish |
| 38 | 532 42 61-29 | Discharge Guard | Discharge Guard | | | |
| 39 | 581 35 37-02 | Handle Bracket, LH | Handle Bracket, LH | | | |
| 40 | 581 35 36-02 | Handle Bracket, RH | Handle Bracket, RH | | | |
| 41 | 532 15 04-06 | Screw, Dogpoint 3/8-16 x 1-1/8 | Screw, Dogpoint 3/8-16 x 1-1/8 | | | |

NOTE: All component dimensions given in U.S. inches. 1 inch = 25.4 mm. **IMPORTANT:** Use only Original Equipment Manufacturer (O.E.M.) replacement parts. Failure to do so could be hazardous, damage your lawn mower and void your warranty.

HUSQVARNA ROTARY LAWN MOWER - MODEL NO. HU800H (96143009901) PRODUCT NO. 961 43 00-99



HUSQVARNA ROTARY LAWN MOWER - MODEL NO. HU800H (96143009901) PRODUCT NO. 961 43 00-99

| KEY PART NO. | PART NO. | DESCRIPTION | KEY PART NO. | PART NO. | DESCRIPTION |
|--------------|--------------|---|--------------|--------------|--------------------------------|
| 1 | 581 95 05-05 | Drive Control Assembly (Includes Cable) | 33 | 532 40 91-48 | Nut, Flangelock 3/8-16 |
| 9 | 581 95 21-01 | Cable, Drive | 34 | 532 19 74-80 | O-Ring |
| 10 | 532 43 27-90 | Mounting Bracket, Drive Control | 35 | 532 43 05-98 | Axle, Rear |
| 11 | 817 41 13-12 | Screw | 36 | 532 44 71-89 | Axle, Front |
| 12 | 873 94 08-00 | Nut, Hex | 37 | 532 16 34-09 | Screw, Hi-Lo Thread, 12 x 5/8 |
| 13 | 581 68 08-01 | Gearcase Assembly, Complete | 38 | 532 19 17-30 | Nut, Hex |
| 14 | 532 19 41-28 | Pulley, Drive | 39 | 532 40 70-59 | Bolt |
| 15 | 532 08 83-48 | Washer, Flat | 40 | 532 41 08-31 | Wheel & Tire Assembly, Front |
| 16 | 532 43 00-30 | Rod, Connecting | 41 | 532 42 87-83 | Pinion |
| 17 | 532 75 11-53 | Nut, Hex | 44 | 532 40 65-57 | Belt, Drive |
| 18 | 532 43 64-59 | Kit, Selector Assembly | 48 | 532 43 84-89 | Kit, Water Washout Assembly |
| 19 | 532 43 39-96 | Knob, Wheel Adjuster | 49 | 532 43 49-94 | Fitting, Water Washout |
| 20 | 580 80 69-01 | Debris Shield | 50 | 532 41 55-85 | Washer, Lock, Internal Tooth |
| 21 | 532 43 52-42 | Anchor | 51 | 532 41 55-86 | Locknut, Hex, with O-Ring |
| 23 | 532 42 89-90 | Wheel Axle Assembly, LH | 55 | 581 35 13-01 | Spring, Tension |
| 24 | 532 43 35-11 | Bracket, Height Adjustment | 56 | 532 44 13-33 | Hubcap |
| 25 | 581 31 38-02 | Mounting Bracket, Debris Shield | 57 | 532 40 91-49 | Nut, Flangelock 3/8-16 |
| 26 | 532 42 60-66 | Belt Keeper | 58 | 532 43 52-41 | Bolt, Shoulder |
| 27 | 819 17 12-16 | Washer, Flat | 59 | 532 44 21-13 | Support Bracket |
| 28 | 812 00 00-58 | E-Ring 7/16 | 61 | 532 18 16-98 | Screw |
| 29 | 532 42 87-81 | Cover, Dust, Wheel | 62 | 532 19 79-91 | Clip, Cable |
| 30 | 817 00 05-10 | Screw, Hex Head | 63 | 532 42 81-24 | Fastener, Push |
| 31 | 532 40 48-45 | Pawl, Drive | 84 | 532 41 64-05 | Adapter, Quick-Connect Coupler |
| 32 | 581 33 67-01 | Wheel & Tire Assembly, Rear | 85 | 532 43 90-77 | Support Bracket, Front Axle |
| | | | 86 | 580 36 43-01 | Pulley, Idler |
| | | | 87 | 581 12 76-01 | Screw |

NOTE: All component dimensions given in U.S. inches. 1 inch = 25.4 mm. **IMPORTANT:** Use only Original Equipment Manufacturer (O.E.M.) replacement parts. Failure to do so could be hazardous, damage your lawn mower and void your warranty.