

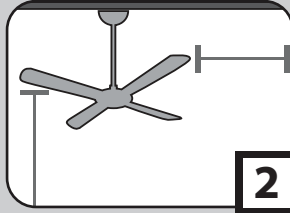
Congratulations on purchasing your new Hunter® ceiling fan! It will provide comfort and performance in your home or office for many years. This installation and operation manual contains complete instructions for installing and operating your fan.

We are proud of our work and appreciate the opportunity to supply you with the best ceiling fan available anywhere in the world.

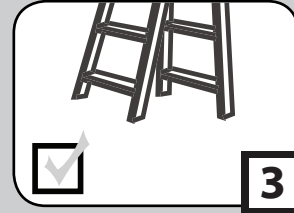
To register your fan, please visit:  
[www.HunterFan.com/register](http://www.HunterFan.com/register)

Save your receipt for proof of purchase.

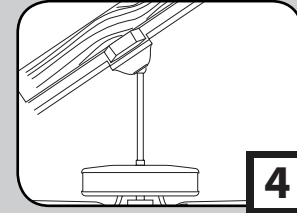
## What to Expect with Your Installation



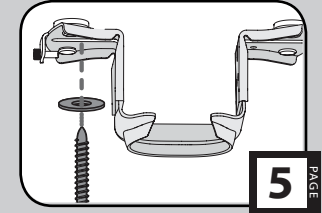
## Tools Needed



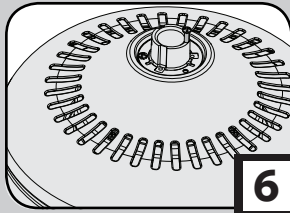
## Mounting Options



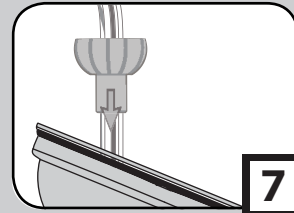
## Ceiling Bracket



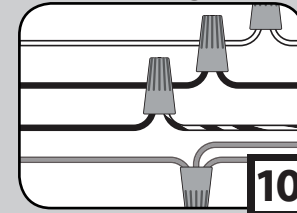
## Assembling the Top Housing



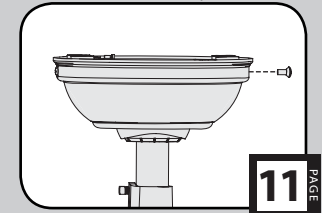
## Downrod



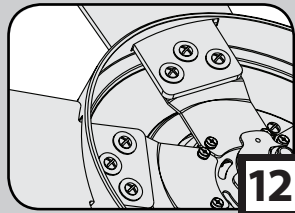
## Wiring



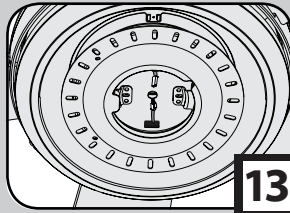
## Canopy



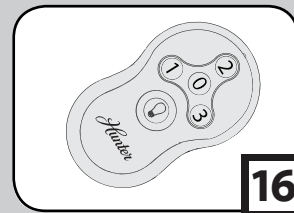
## Blades



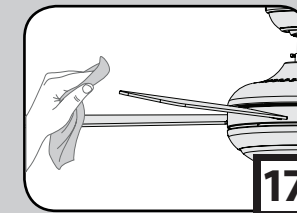
## Light Kit



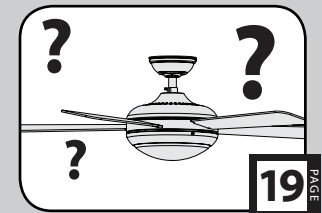
## Remote Control



## Operation, Maintenance & Cleaning



## Troubleshooting

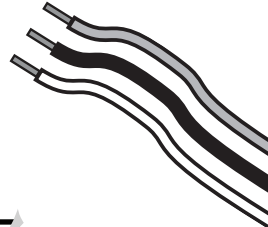




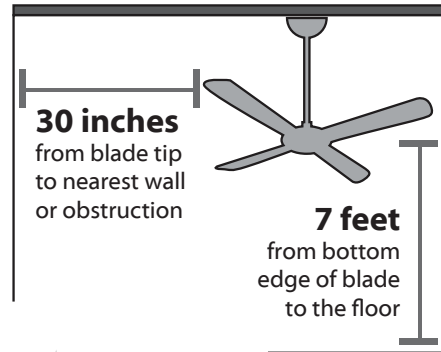
Must be able to secure the fan to building structure or fan-rated outlet box



If you are unfamiliar with wiring, use a qualified electrician.



Know your wiring



Assess location

You may need a friend to help you.



Check box to see fan weight



Ceiling angles greater than 34° will require an Angled Mounting Kit. See page 4 for details.



Assess ceiling angle

**1 Standard Downrod**  
for ceilings 8-10 feet high

**2 Shorter Downrod**  
for fans installed close to ceiling

**3 Longer Downrod**  
for ceilings 10 feet or higher



Select a downrod length

## Read and Save These Instructions

This product conforms to UL Standard 507.

### ⚠ WARNINGS

w.1 - To reduce the risk of fire, electrical shock, or personal injury, mount fan directly from building structure and/or an outlet box marked acceptable for fan support of 70 lbs (31.8 kg) and use the mounting screws provided with the outlet box.

w.2 - To avoid possible electrical shock, before installing or servicing your fan, disconnect the power by turning off the circuit breakers to the outlet box and associated wall switch location. If you cannot lock the circuit breakers in the off position, securely fasten a prominent warning device, such as a tag, to the service panel.

w.3 - To reduce the risk of fire, electrical shock, or motor damage, use only Hunter Speed Controls.

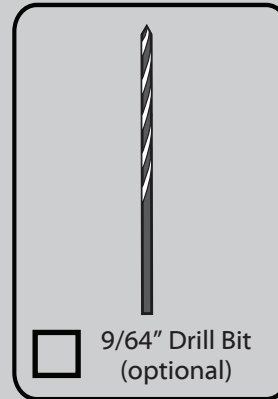
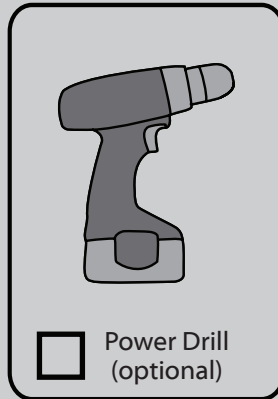
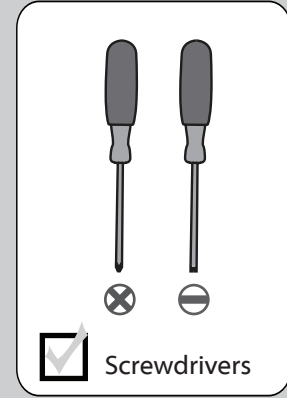
w.4 - To reduce the risk of personal injury, do not bend the blade brackets when installing the blade brackets, balancing the blades, or cleaning the fan. Do not insert foreign objects in between rotating fan blades.

### ⚠ CAUTIONS

c.1 - All wiring must be in accordance with national and local electrical codes ANSI/NFPA 70. If you are unfamiliar with wiring, use a qualified electrician.

c.2 - Use only Hunter replacement parts.

*This equipment has been tested and found to comply with the limits for a Class B digital device, pursuant to part 15 of the FCC Rules. These limits are to provide reasonable protection against harmful interference in a residential installation. This equipment generates, uses and can radiate radio frequency energy and if not installed and used in accordance with the instructions may cause harmful interference to radio communications.*



**If mounting to a support structure, you will also need these tools.**

34°

CEILING ▲

**If you have a flat ceiling:**

Hang your fan by a standard downrod (included).

Standard  
Mounting

OPTION 1

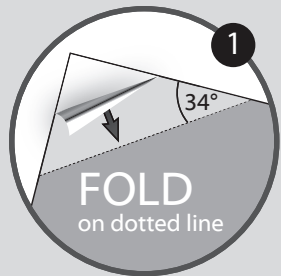
**If you have an angled ceiling:**

1. You will need a longer downrod (sold separately).
2. If your ceiling angle is greater than 34°, you will also need an Angled Mounting Kit (sold separately).

Angled  
Mounting

OPTION 2

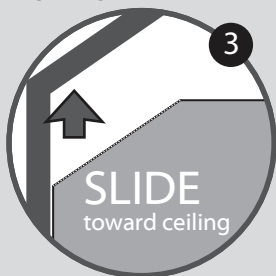
Use the three steps below to determine if your ceiling angle is greater than 34°



1

FOLD  
on dotted line

2

PLACE  
against wall

3

SLIDE  
toward ceilingGuide Touches  
**BOTH** Ceiling & WallYou need **ONLY**  
a Longer  
Downrod

\*most common

SITUATION 1

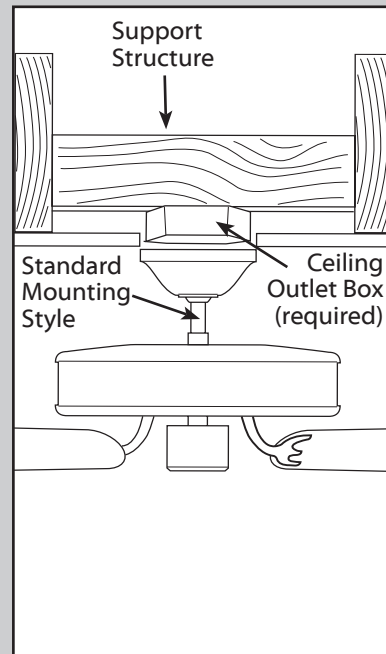
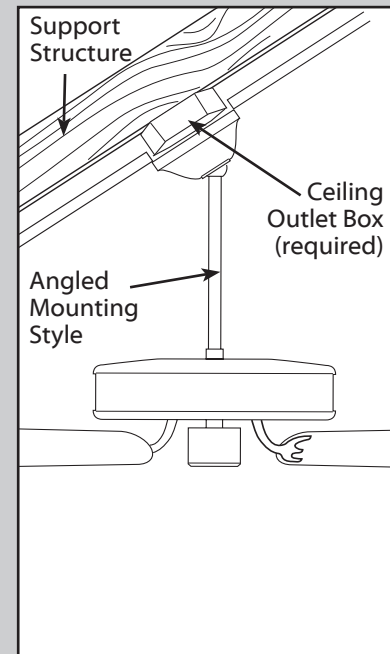
Guide Touches Wall  
but **NOT** CeilingYou need **BOTH**  
a Longer  
Downrod &  
an Angled  
Mounting Kit

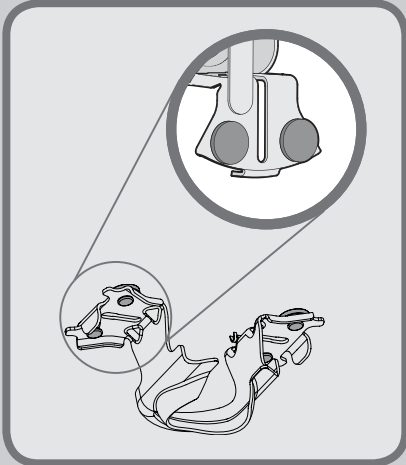
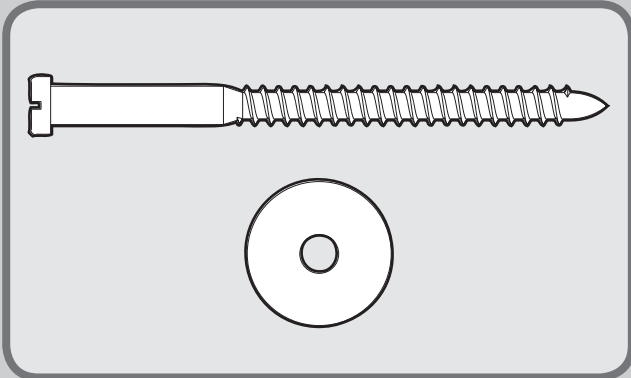
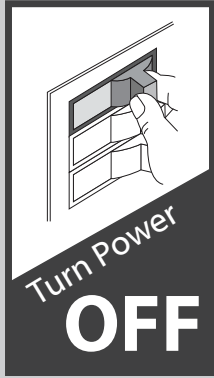
SITUATION 2

**Mounting Options**

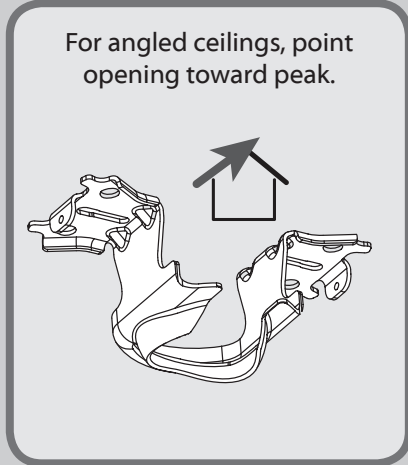
www.HunterFan.com

1.866.268.1936

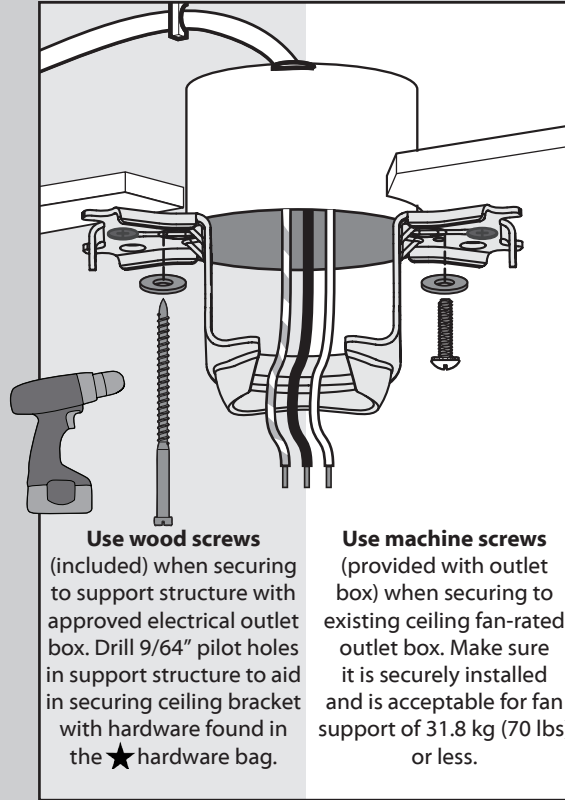
Use **Standard Mounting**  
or **Low-Profile Mounting**  
to hang the fan from a flat ceiling.Use **Angled Mounting**  
to hang the fan from a  
vaulted or angled ceiling.



Make sure all four bumpers are still attached.

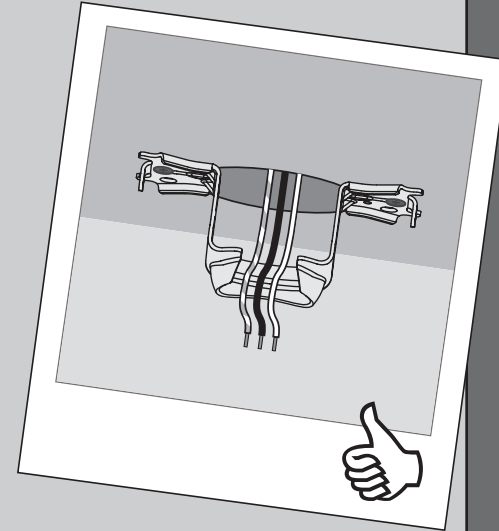


If you are unable to do this, call Technical Support at 1-888-830-1326.



**Use wood screws** (included) when securing to support structure with approved electrical outlet box. Drill 9/64" pilot holes in support structure to aid in securing ceiling bracket with hardware found in the ★ hardware bag.

**Use machine screws** (provided with outlet box) when securing to existing ceiling fan-rated outlet box. Make sure it is securely installed and is acceptable for fan support of 31.8 kg (70 lbs) or less.

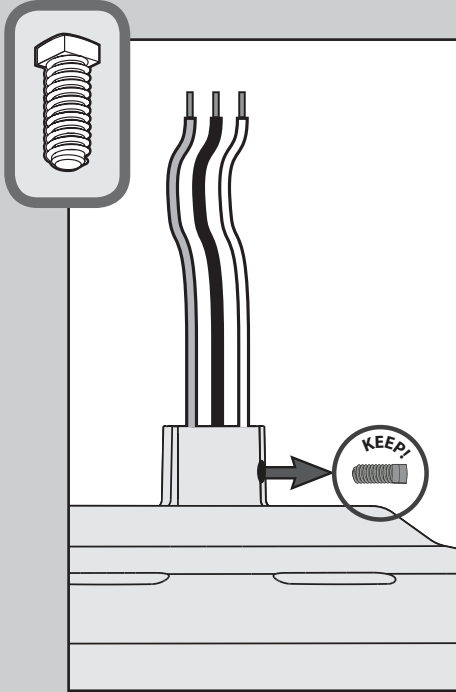


Refer to warning w.1 on pg. 2

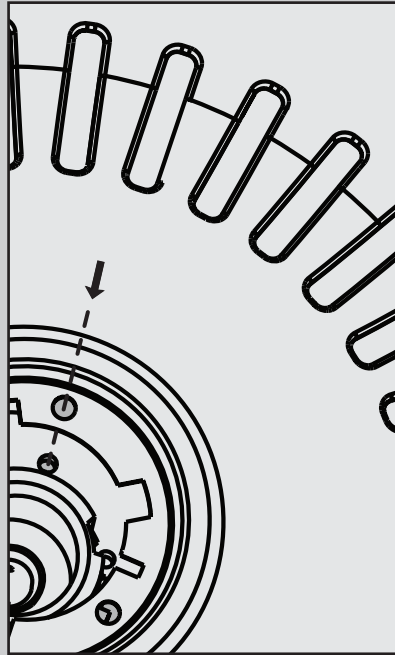


To avoid possible electrical shock, before installing your fan, disconnect the power by turning off the circuit breakers to the outlet box associated with the wall switch location.

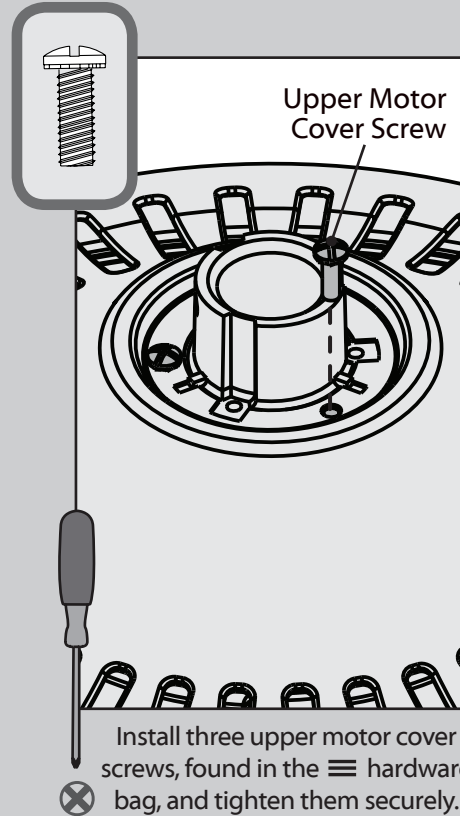


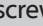


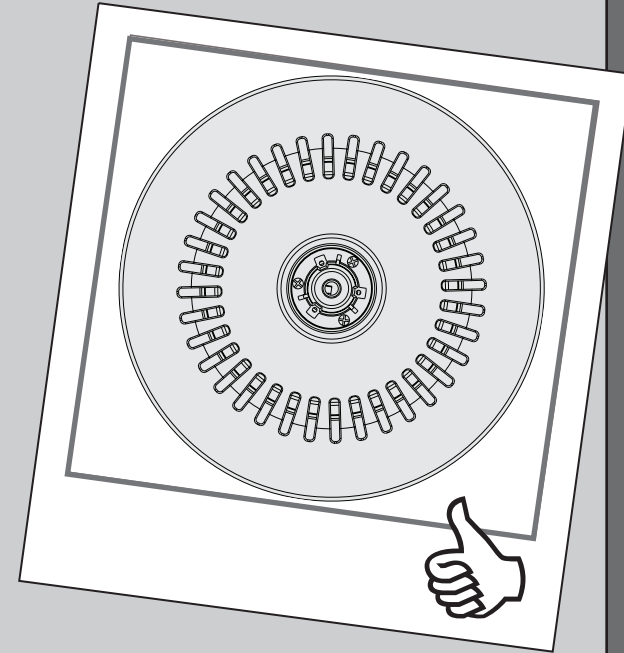
Remove the pre-installed setscrew so that the downrod can be inserted.



To assemble the housing to the hanger adapter, align the three raised tabs on the hanger adapter with the three narrow notches in the top housing. Make certain the housing sits flat on the adapter.

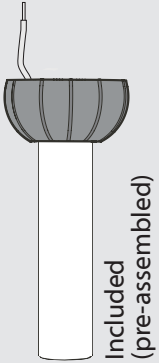


Install three upper motor cover screws, found in the  hardware bag, and tighten them securely.



Option 1

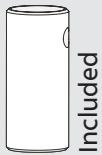
**Standard Downrod**  
for ceilings 8-10' high



Included  
(pre-assembled)

Option 2

**Shorter Downrod**  
for fans installed  
close to ceiling



Included

Option 3

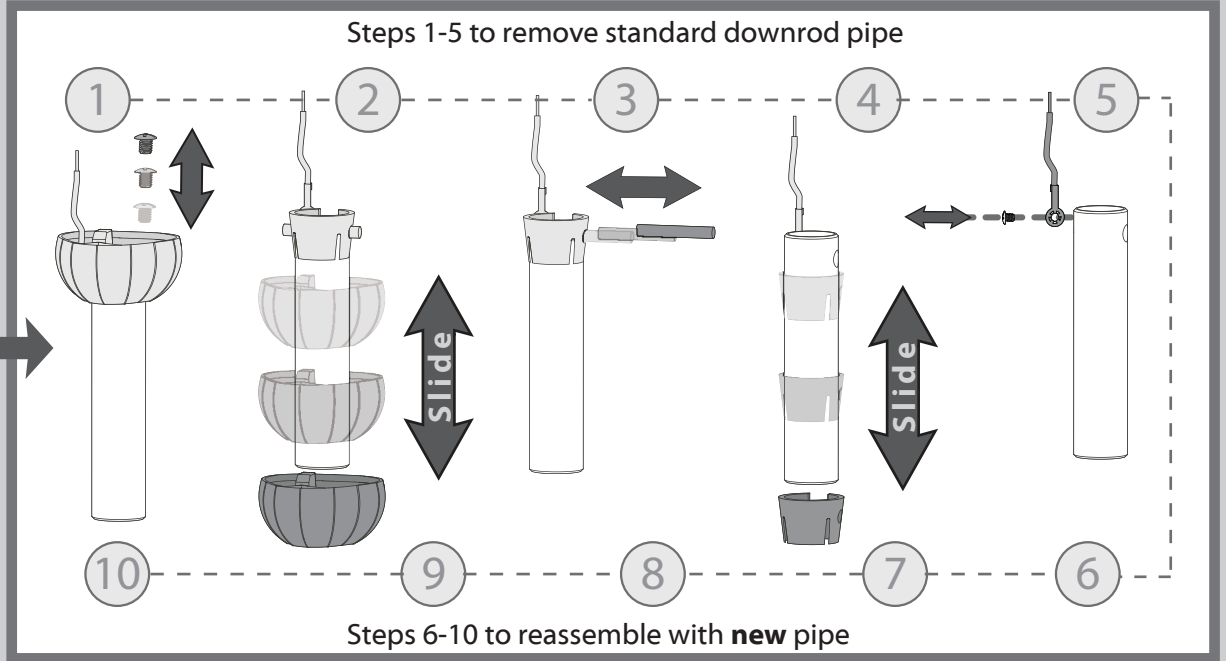
**Longer Downrod**  
for angled  
ceilings or  
ceilings 10' or  
higher

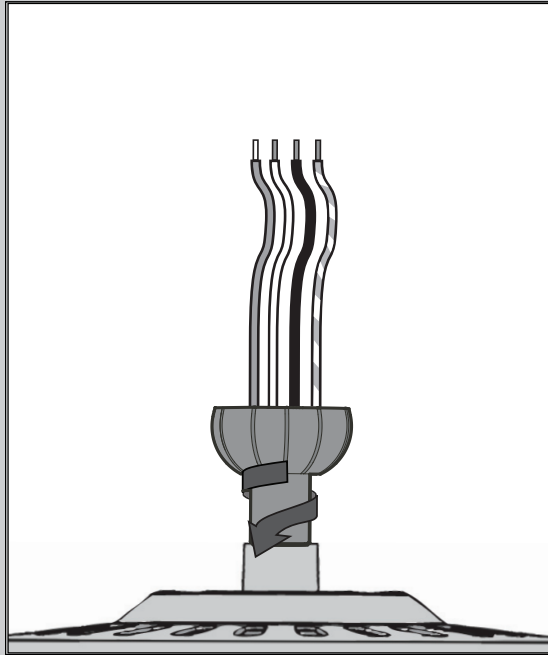


Sold Separately

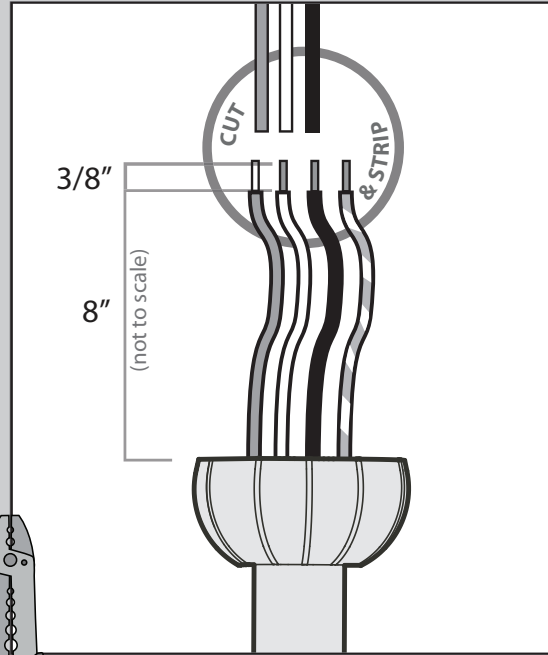
skip to next page

If you need a different downrod length follow these steps:

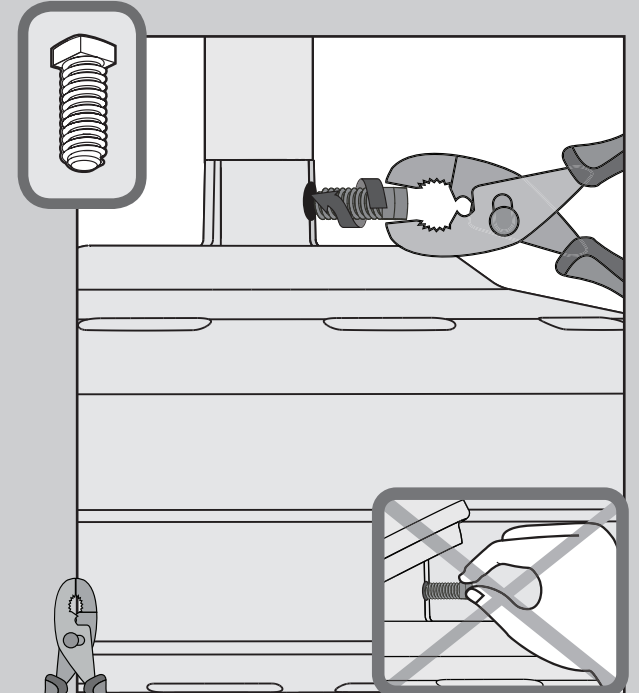




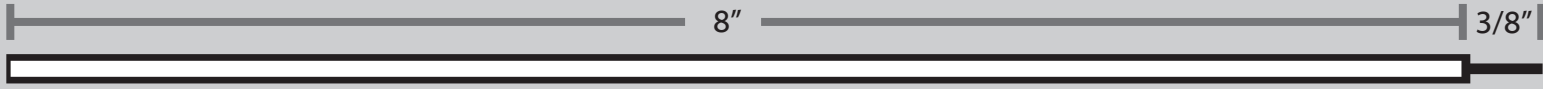
Hand tighten the downrod (at least 4-5 full turns) until it stops.



The wires can be cut, but leave at least 8" extending from the top of the downrod.

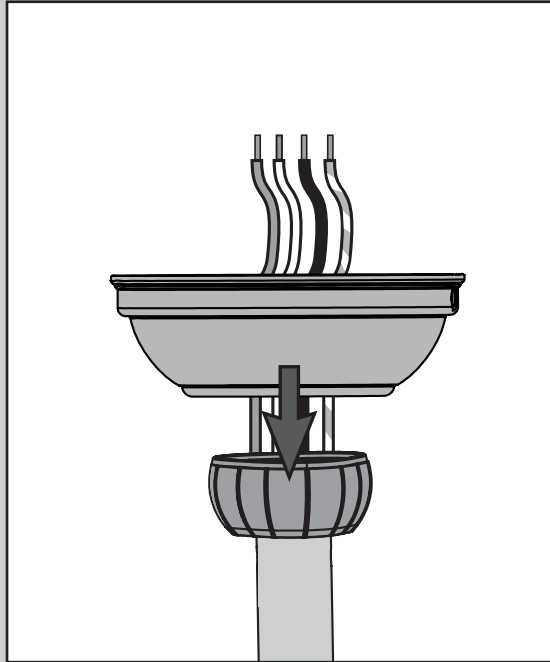


Tighten the setscrew with pliers. **DO NOT HAND TIGHTEN.**

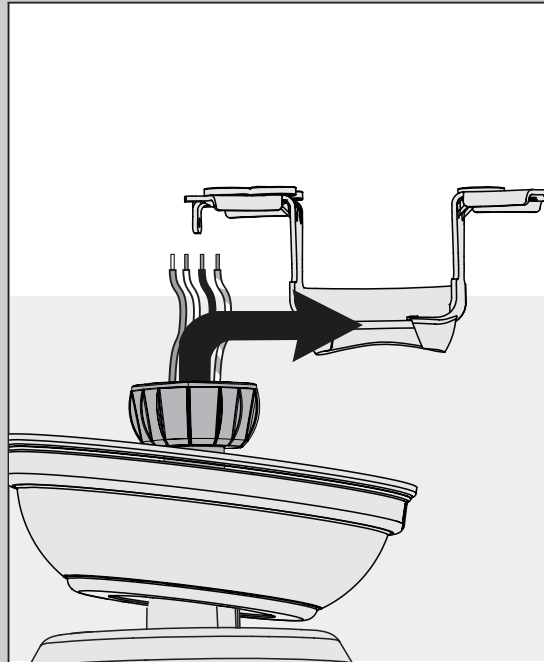


If the setscrew is not tightened securely, the fan may fall.

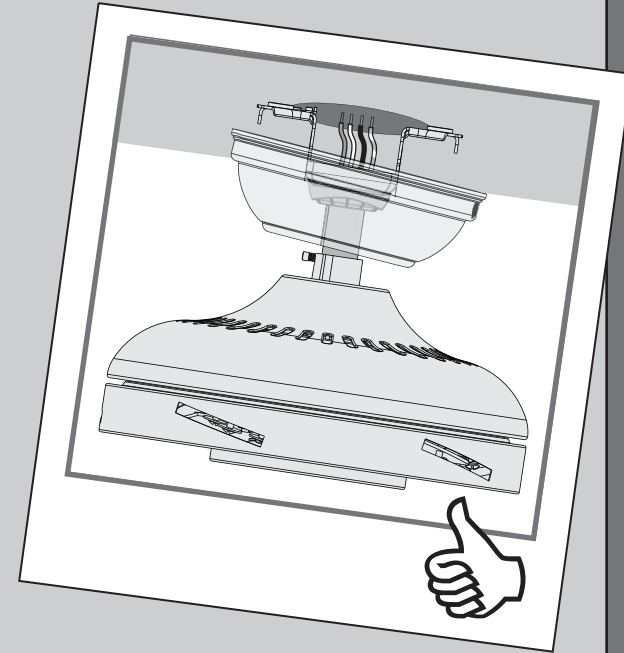




Put the wires and downrod through the canopy. Let the canopy sit loosely on top of the fan.



**DO NOT PICK THE FAN UP BY THE CANOPY OR WIRES.** Place the downrod ball into the slot in the ceiling bracket.

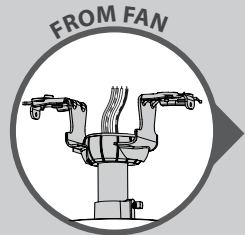


**Note:** To connect the wires, hold the bare metal leads together and place a wire connector over them, then twist clockwise until tight.

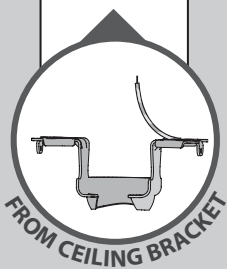
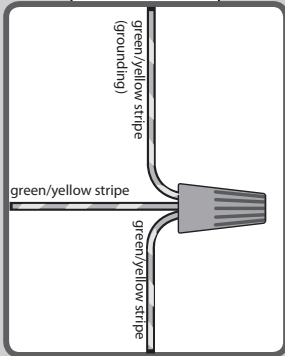
Using the blue wire connectors from the remote control hardware bag, connect the white wire from the receiver (marked "common out") to the white wire from fan. Connect the black wire from the receiver (marked "fan out") to the black wire from the fan. Connect the blue wire from the receiver (marked "light out") to the blue wire from the fan. The red wire from the receiver will not be used, it has a pre-installed wire terminator.

Using an orange wire connector from the ★ hardware bag, connect the black wire (ungrounded) from the ceiling to the black wire from the receiver (marked "live in"). Connect the white wire (grounded) from the ceiling to the white wire from the receiver (marked "neutral in" or "common in").

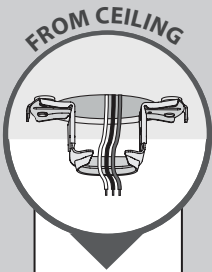
Turn the splices upward and push them carefully back through the hanger bracket into the outlet box. Spread the wires apart, with the grounded wires on one side of the outlet box and the ungrounded wires on the other side of the outlet box.



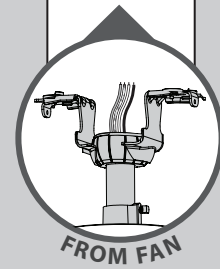
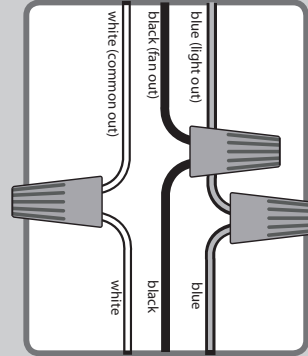
Using an orange wire connector from the ★ hardware bag, connect the 3 grounding wires (green, green/yellow stripe, or bare copper) coming from the ceiling, downrod, and hanging bracket.



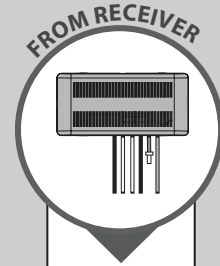
FROM CEILING BRACKET



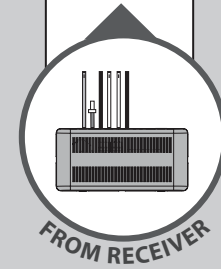
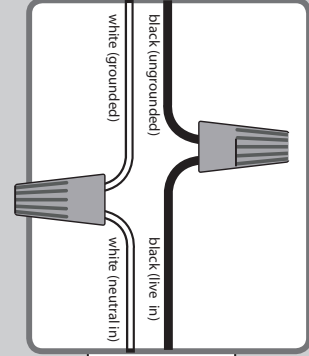
FROM CEILING



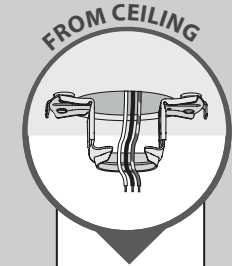
FROM FAN



FROM RECEIVER



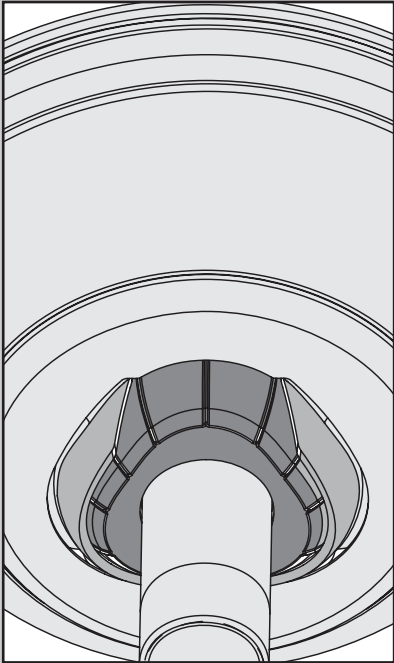
FROM RECEIVER



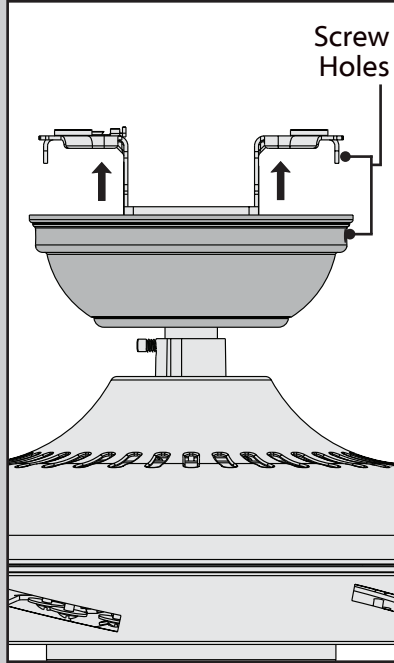
FROM CEILING

Refer to CAUTION c.1 on pg. 2

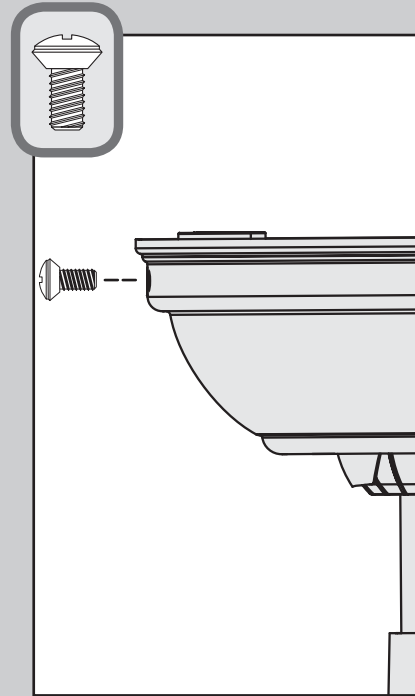




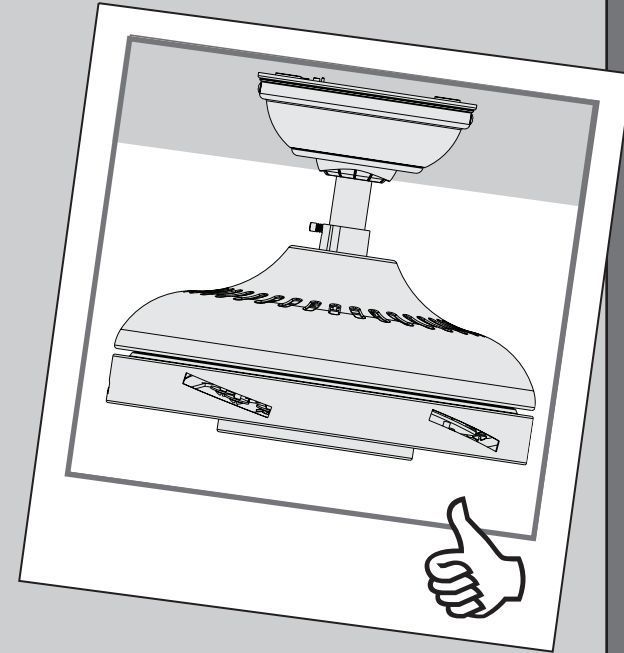
Position the canopy so that, when lifted into place, the canopy fits into the hanging bracket as shown.



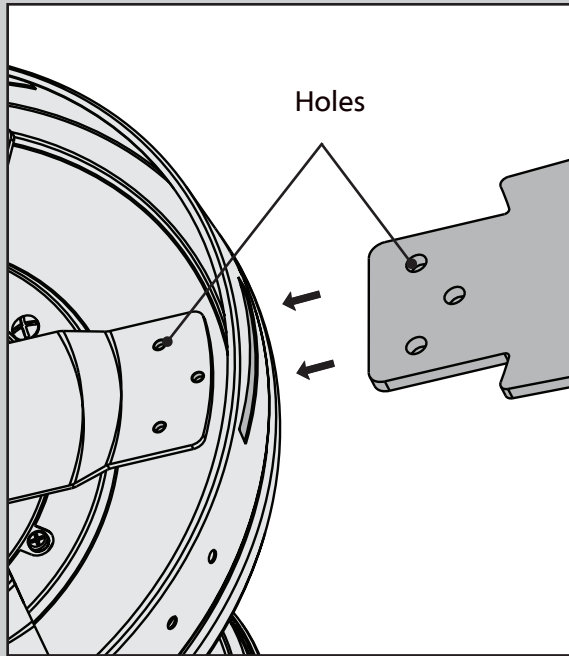
Lift the canopy into place so that the screw holes are aligned.



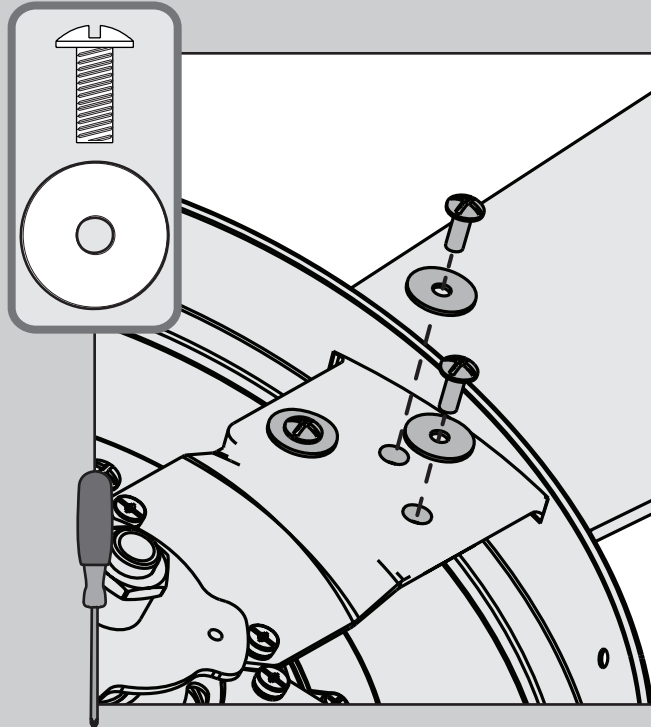
Insert the two canopy screws found in the ● hardware bag.



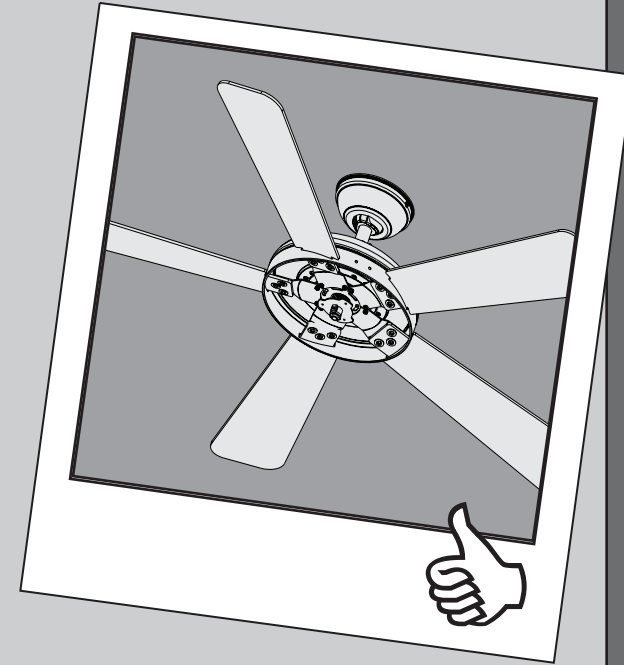
**Note:** Fan style may vary.



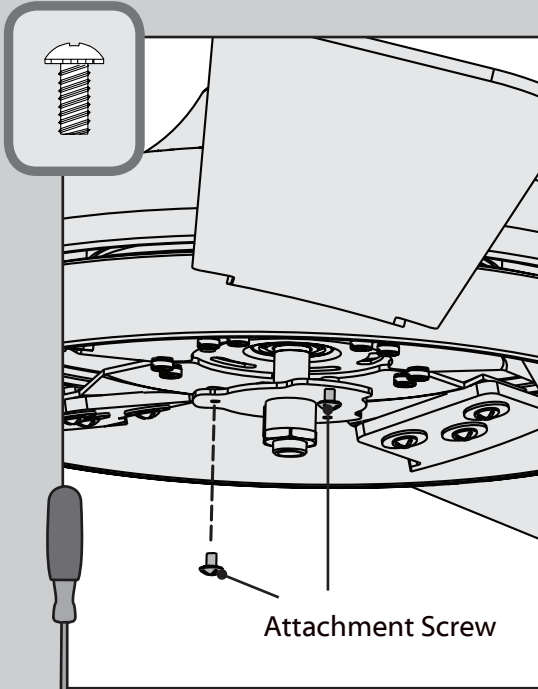
Insert the blade into the slot. Align the holes on the blade with the holes in the fan motor.




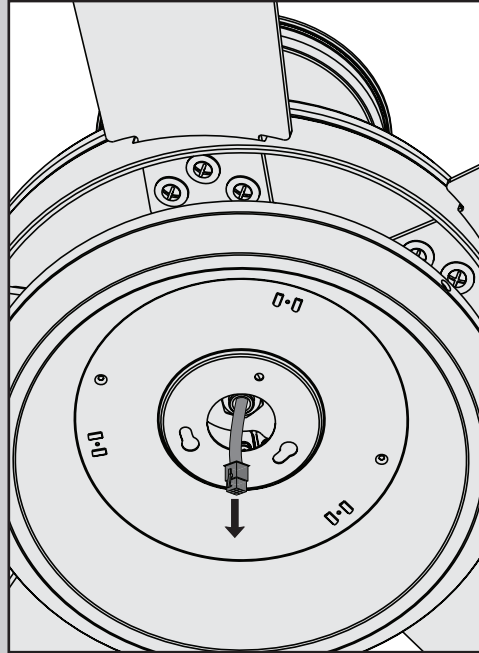
- ⊗ Attach the blade to the motor using the flat washers from the ■ hardware bag and blade assembly screws found in the ▲ hardware bag. Repeat for each blade.



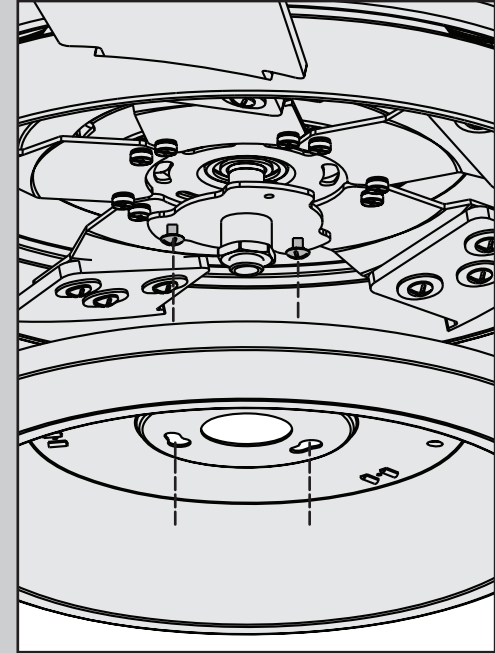
Your blades are shielded with Dust Armor® which is a nanotechnology coating that repels dust. For cleaning the fan, use soft brushes or cloths to prevent scratching. Cleaning agents may damage the finishes.



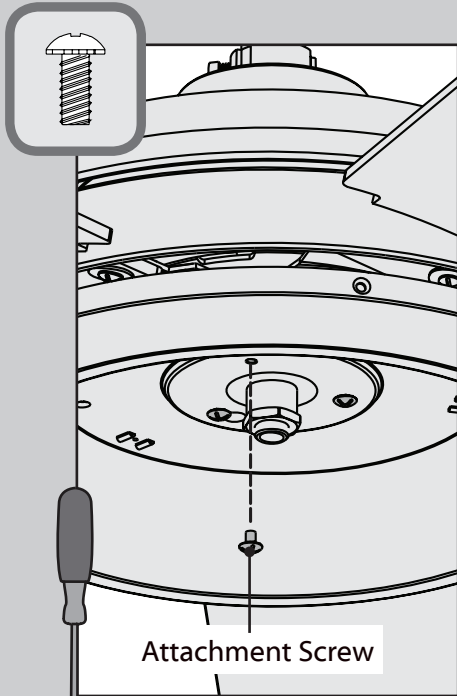
⊗ Partially install two attachment screws, found in the  hardware bag, into the light kit mounting plate.



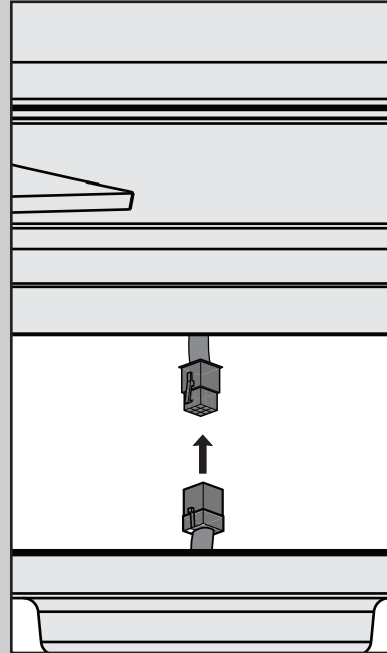
Thread the 9-pin plug connector from the fan through the light kit.



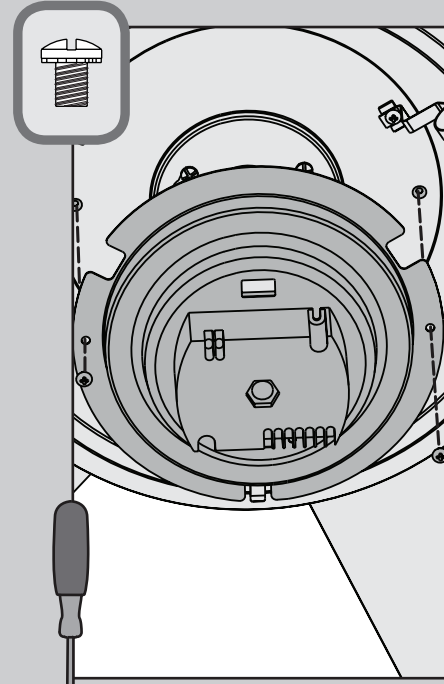
Align the keyholes in the light kit with the two partially installed screws and turn the light kit clockwise until the screws are in the narrow ends of the keyholes.



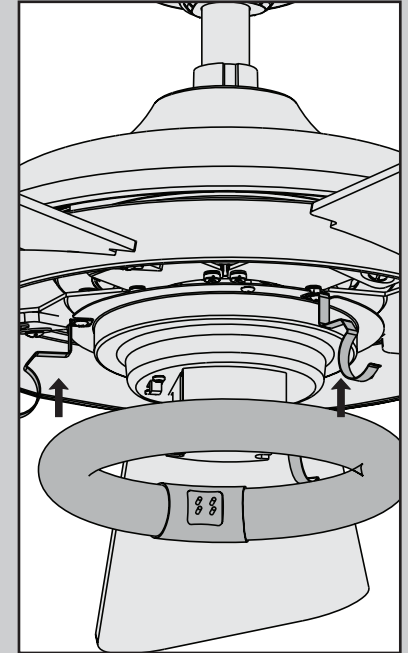
Install the remaining attachment screw to secure the light kit to the mounting plate. Securely tighten all three screws.



Connect the upper 9-pin plug connector from the fan to the lower 9-pin plug connector in the light kit.



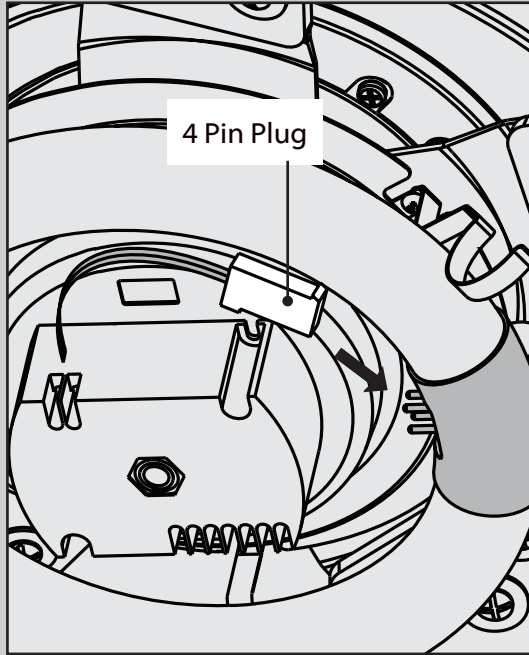
Align the two screw screw holes and install the switch housing assembly screws, found in the hardware bag.



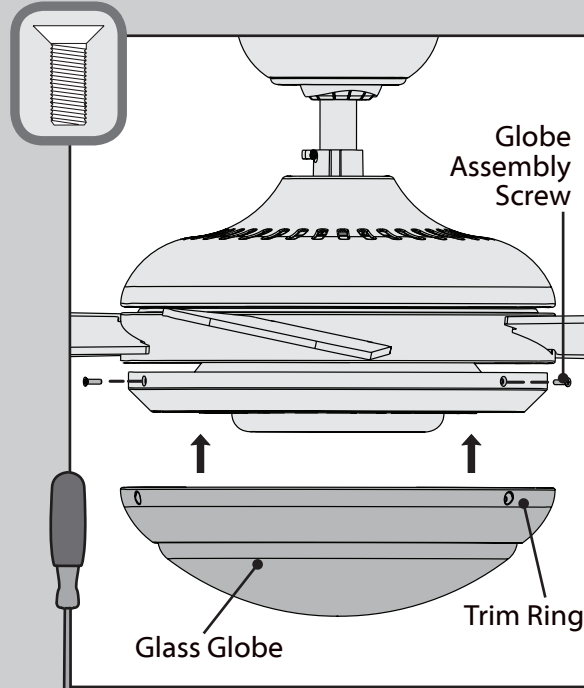
Install bulb.

Make sure the light kit is securely attached to the mounting plate. Failure to properly secure all three assembly screws could result in the light fixture falling.





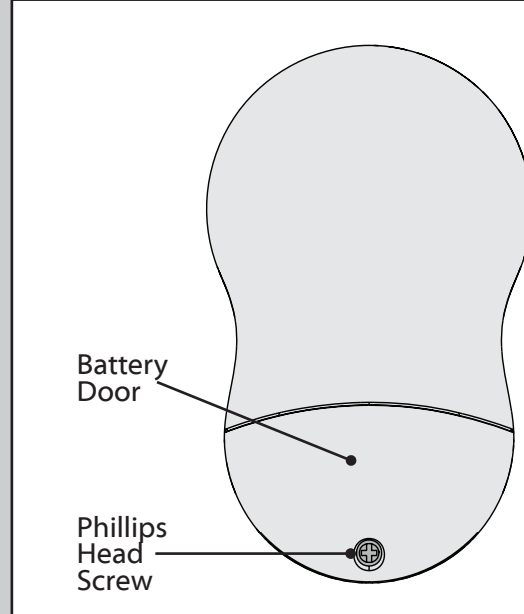
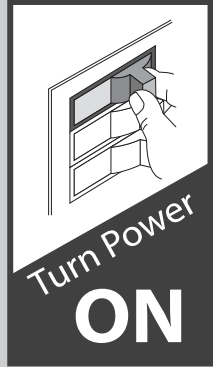
Connect the 4 pin plug from the ballast to the fluorescent bulb.



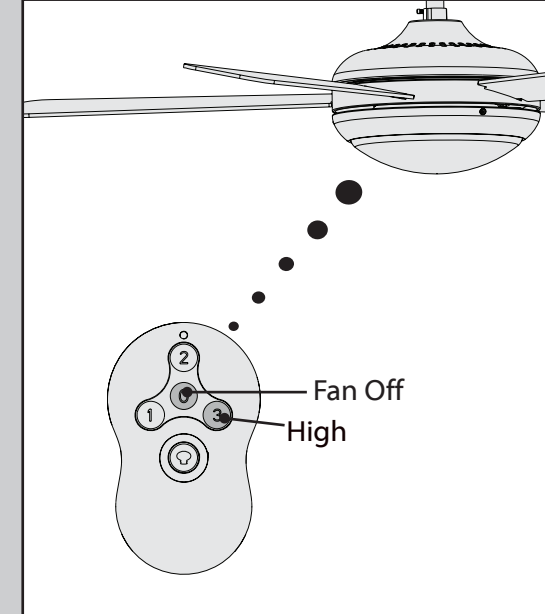
Place the glass globe into the globe trim ring. Align the three holes in the trim ring with the three holes in the light kit. Install and securely tighten all three globe assembly screws, found in the hardware bag.



See next page for fan operation instructions. →



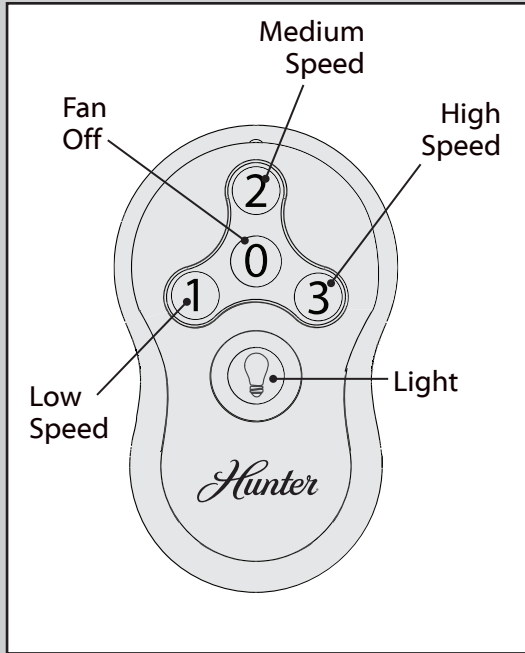
To access the battery compartment, remove the small Phillips head screw that secures the battery door to the transmitter assembly. The battery should be installed with the positive (+) side up. Replace with a CR2032 battery when necessary.



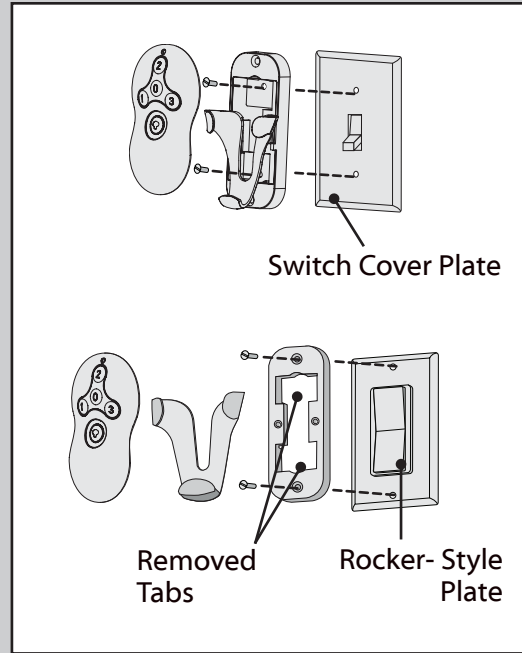
**Note:** The remote must be paired before the fan will operate.

**Within 3 minutes** of restoring power to the fan, press both the Fan Off button and the High button for at least 4 seconds. Your fan will turn on low to indicate successful syncing. If it does not, turn off power to your fan, wait 1 minute then try again. If using the transmitter with multiple fans, repeat this process for each fan.



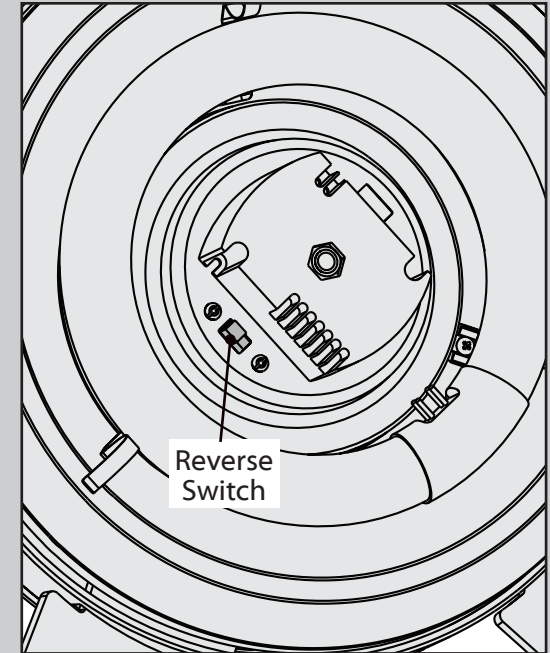


To turn on fan, press a fan speed button. Speeds range from off (0) to high (3). Quickly press the Light button to turn the lights off and on. Hold the Light button to raise and dim the light level.

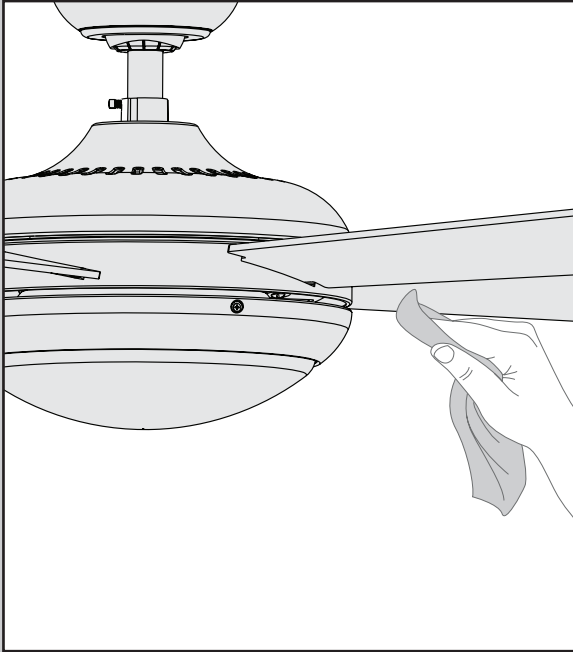


To install the transmitter cradle, remove the two screws holding the switch cover plate. Do not remove the cover plate. Orient the cradle by lining up the two mounting holes with those on the cover plate. Insert and tighten the screws. Do not over tighten.

**Note:** For rocker-style cover plates, break off the tabs by pushing outward.



**To switch the direction of air flow,** remove the globe on the fan by removing the globe assembly screws, the glass, and trim ring. Flip the black switch to change the direction.



**When cleaning the fan,** use soft brushes or cloths to prevent scratching. Cleaning products may damage the finishes.

## Safe-Exit

The Safe-Exit Program gives you about thirty seconds of light when you turn the lights off to exit the room before the lights go out. To use Safe-Exit:

- Press the Fan Off button for at least three seconds to initiate the Safe-Exit Mode.
- The lights will flash for visual confirmation.
- The lights will stay on 50% brightness for 15 seconds and then begin to dim. After a total of 30 seconds, the lights will be completely off.

**Note:** For CFL lighting, the lights will stay on 100% brightness for 30 seconds. After a total of 30 seconds, the lights will be completely off.

## Fan doesn't work

- Make sure power switch is on.
- Push the motor reversing switch firmly left or right to ensure that it is engaged.
- Check the circuit breaker to ensure the power is turned on.
- Make sure the blades spin freely.
- Turn off power from the circuit breaker, then loosen the canopy and check all the connections according to the wiring diagram on page 10.
- Check the plug connection in the switch housing.

## Remote control of fan is erratic

- Make sure the battery is installed correctly.
- Install a fresh battery.

## Excessive wobbling

- Tighten all of the blade and blade iron screws until they are snug.
- Use the provided balancing kit and instructions to balance the fan.

## Noisy Operation

- Tighten the blade and blade iron screws until they are snug.
- Check to see if any of the blades are cracked. If so, replace all of the blades.

## Transmitter only works when held at close range

- Install a fresh battery.



Hunter fans have the power to cut your cooling costs up to 40%.

### Beat the High Cost of Cooling

The air movement created by a Hunter ceiling fan lets you set your thermostat higher and still stay comfortable. Every degree you raise the thermostat saves up to 7% on energy costs. So, you can cut back on expensive air conditioning ... and save up to 40%\* on cooling. In winter, your Hunter fan recirculates warm air and saves up to 10%\* on heating bills.

\* On average at low speed settings. Your savings may vary based on climate, building type and thermostat setting.

### Save Energy and Money While Protecting the Environment

Congratulations! You're saving energy and money while protecting the environment by purchasing this ENERGY STAR qualified Hunter ceiling fan! With this purchase, you are doing your part to protect the environment. In 2010, ENERGY STAR qualified ceiling fans are projected to cut air pollution by more than 500 million pounds!

Your new ceiling fan has earned the ENERGY STAR label because it meets high energy efficiency specifications set by the Environmental Protection Agency (EPA). ENERGY STAR labeled ceiling fans save energy because they have more efficient fan motors and air delivery due to more aerodynamic blade configurations. Ceiling fan models bearing the ENERGY STAR label move air 14 - 20% more efficiently than typical ceiling fan models. For more information on ENERGY STAR visit [www.energystar.gov](http://www.energystar.gov).