

INSTALLATION INSTRUCTIONS FOR HUNTER CEILING FAN LIGHT KIT #27196, #27220, #27216, #27217, #27218 & #27219 ENERGY EFFICIENT FLUORESCENT LOW PROFILE FAN LIGHT READ AND SAVE THESE INSTRUCTIONS

A. CAUTION:

1. TO REDUCE THE RISK OF FIRE AND ELECTRICAL SHOCK, INSTALL THIS LIGHT KIT ONLY ON LISTED HUNTER CEILING FANS TYPE A THRU Z.
2. READ ENTIRE INSTRUCTIONS CAREFULLY BEFORE BEGINNING INSTALLATION.
3. TO AVOID POSSIBLE ELECTRICAL SHOCK, BE CERTAIN ELECTRICITY IS TURNED OFF AT FUSE OR CIRCUIT BREAKER PANEL BEFORE WIRING.
4. ALL WIRING MUST BE IN ACCORDANCE WITH NATIONAL AND LOCAL ELECTRICAL CODES. IF YOU ARE UNFAMILIAR WITH WIRING, YOU SHOULD USE A QUALIFIED ELECTRICIAN.

B. CONNECT WIRES TO FAN:

NOTE: * SEE FAN INSTALLATION INSTRUCTIONS FOR CONNECTING HOUSE WIRING TO THE FAN.
 * CONNECT HOUSE WIRING TO THE FAN BEFORE ATTACHING THE LIGHT KIT TO THE FAN.
 * SEE WIRING DIAGRAMS ON REVERSE SIDE FOR LIGHT KIT USE WITH WALL SWITCHES.

1. REMOVE THE COVER PLATE FROM THE BOTTOM OF THE FAN SWITCH HOUSING. REMOVE THE LIGHT KIT COVER PLATE FROM THE LIGHT KIT. SEE FIG. 1. IF THE COVER PLATE FROM THE SWITCH HOUSING HAS A HOLE IN THE CENTER, PROCEED TO STEP 2B. IF THE COVER PLATE DOES NOT HAVE A HOLE IN THE CENTER, DISCARD THE COVER AND PROCEED TO STEP 2A.
- 2A. LOCATE THE TWO WIRES IN THE FAN SWITCH HOUSING THAT HAVE LABELS MARKED "CONNECT LIGHT HERE" OR "FOR LIGHT USE". ONE WIRE WILL BE WHITE AND THE SECOND WILL BE BLACK WITH A WHITE TRACER. CONNECT THESE WIRES TO THE WIRES COMING FROM THE LIGHT KIT, CONNECTING WHITE TO WHITE AND BLACK WITH WHITE TRACER TO BLACK WIRE FROM LIGHT KIT. ASSEMBLE THE LIGHT KIT TO THE FAN USING THE MOUNTING SCREWS REMOVED IN STEP 1 ABOVE. SEE FIGURE 1. THEN PROCEED TO STEP 3.
- 2B. ASSEMBLE THE FAN COVER PLATE TO THE LIGHT KIT AS SHOWN IN FIGURE 2. USE THE PIPE NIPPLE AND NUTS PROVIDED. THEN FOLLOW THE DIRECTIONS IN STEP 2A ABOVE TO ATTACH LIGHT KIT TO FAN.

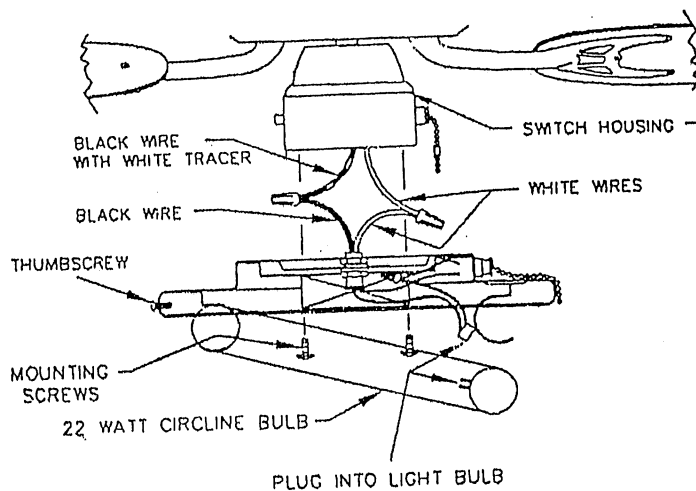


FIGURE 1.

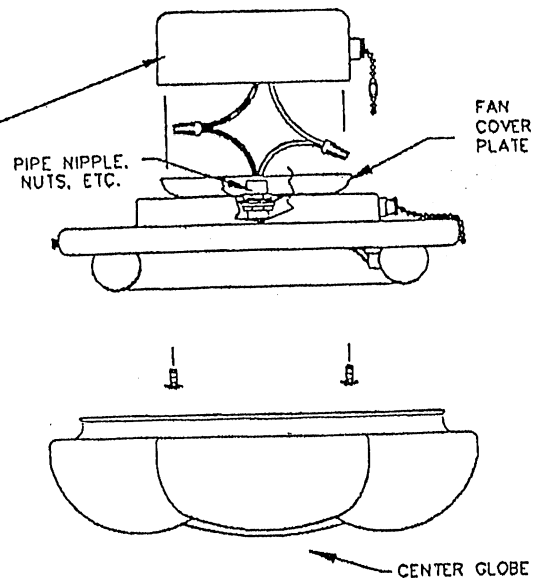


FIGURE 2.

C. FINAL STEPS

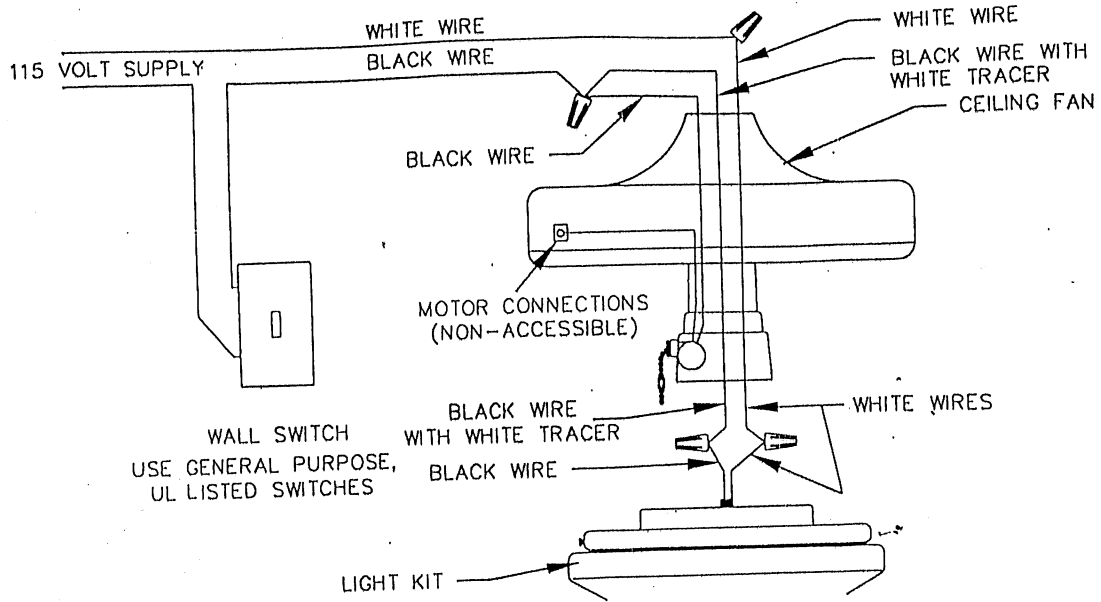
3. INSTALL ONE 22 WATT CIRCLINE FLOURESCENT BULB
4. HAND TIGHTEN ALL THUMB SCREWS SECURELY. SEE FIG. 2. RESTORE POWER TO FAN TO COMPLETE INSTALLATION.
5. SHOULD LIGHT SHADE BEGIN TO BUZZ. BE CERTAIN ALL THUMBSCREWS ARE TIGHT.

WIRING WITH WALL SWITCHES

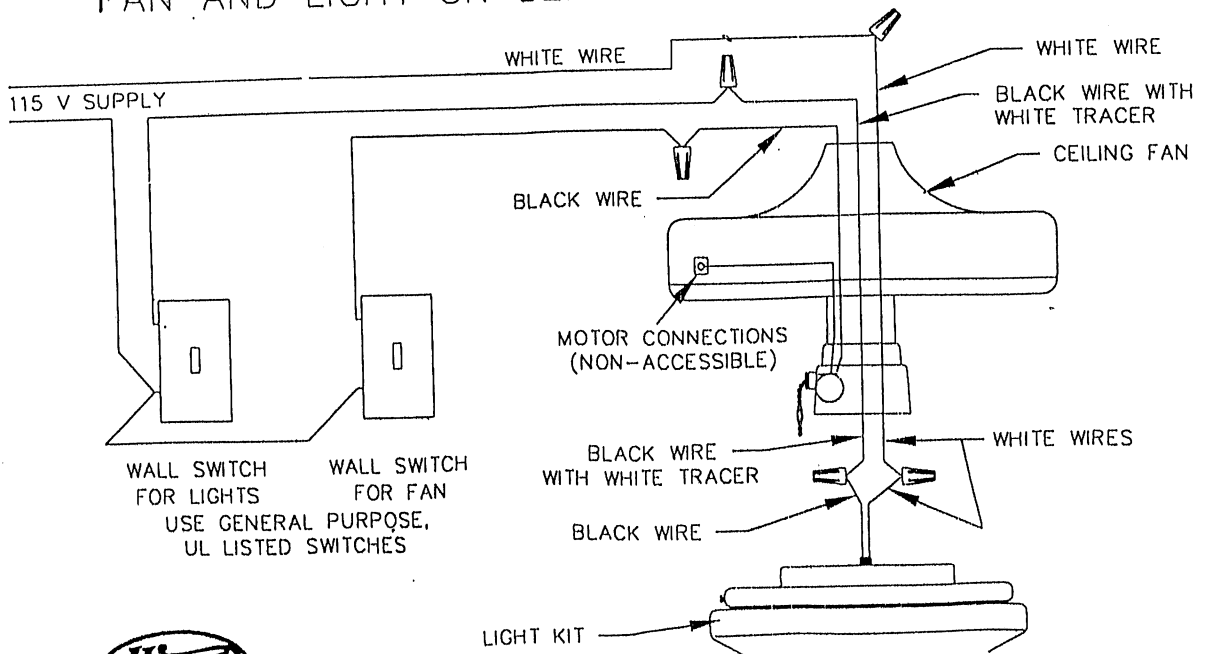
FAN AND LIGHT KIT CAN BE CONNECTED THROUGH WALL SWITCHES. THIS CAN BE DONE IN TWO WAYS:

1. USING ONE WALL SWITCH TO CONTROL BOTH FAN AND LIGHT. INDIVIDUAL CONTROL OF EITHER FAN OR LIGHT IS DONE WITH THE PULL CHAIN SWITCHES.
2. USING TWO WALL SWITCHES TO INDIVIDUALLY CONTROL BOTH FAN AND LIGHT - ONE FOR THE FAN AND THE SECOND FOR THE LIGHT. PULL CHAIN SWITCHES ON THE FAN DO NOT HAVE TO BE USED. SELECT THE TYPE OF CONTROL DESIRED AND WIRE THE UNIT PER ONE OF THE DIAGRAMS SHOWN BELOW.

FAN AND LIGHT ON A SINGLE WALL SWITCH



FAN AND LIGHT ON SEPARATE WALL SWITCHES



HUNTER FAN CO. MEMPHIS, TN. 38114

© 1993 HUNTER FAN COMPANY™

FORM 41371-01 REV 2/98