

# Concert Breeze™

Owner's Guide and Installation Manual  
Manual De Propietario



English

Español

Form# 45049-01  
20090713  
©2009 Hunter Fan Co.

*SINCE 1886*  
**Hunter®**

## Welcome

### For Your Records and Warranty Assistance

For reference, also attach your receipt or a copy of your receipt to the manual.

Model Name

Model No.

Date Purchased

Where Purchased

#### Table Of Contents

1 • Getting Ready .....	4
2 • Installing the Hanger Bracket .....	5
3 • Assembling and Hanging the Fan ...	6
4 • Wiring the Fan .....	8
5 • Installing the Canopy and Canopy Trim Ring .....	9
6 • Assembling the Blades .....	10
7 • Light/Speaker Assembly Installation	11
9 • Operating and Cleaning Your Ceiling Fan .....	15
10 • Installation and Setup of Maestro™ and Remote .....	16
11 • Operating the Remote Control (Light/Speaker) .....	18
12 • Changing the channel on the Maestro™ and the Fan .....	19
13 • Troubleshooting .....	20

Your new Hunter® ceiling fan is an addition to your home or office that will provide comfort and performance for many years. This installation and operation manual gives you complete instructions for installing and operating your fan.

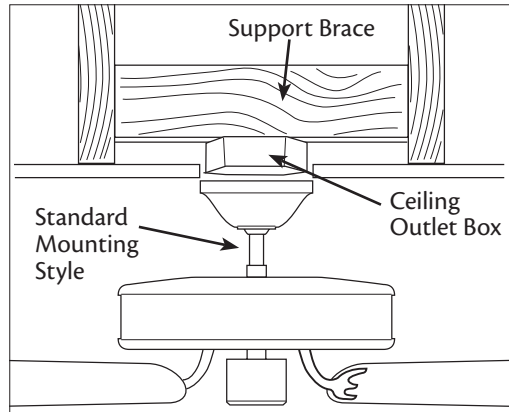
We are proud of our work. We appreciate the opportunity to supply you with the best ceiling fan available anywhere in the world.

Before installing your fan, for your records and warranty assistance, record information from the carton and Hunter nameplate label (located on the top of the fan motor housing).

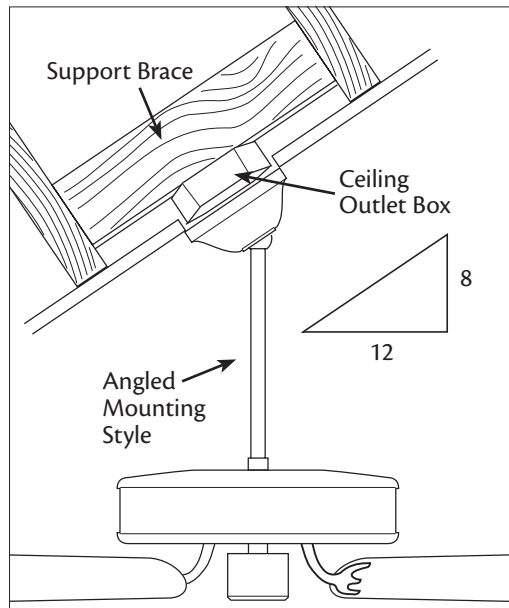
### Cautions and Warnings

- **READ THIS ENTIRE MANUAL CAREFULLY BEFORE BEGINNING INSTALLATION. SAVE THESE INSTRUCTIONS.**
- Use only Hunter replacement parts.
- To reduce the risk of personal injury, attach the fan directly to the support structure of the building according to these instructions, and use only the hardware supplied.
- To avoid possible electrical shock, before installing your fan, disconnect the power by turning off the circuit breakers to the outlet box and associated wall switch location. If you cannot lock the circuit breakers in the off position, securely fasten a prominent warning device, such as a tag, to the service panel.
- All wiring must be in accordance with national and local electrical codes and ANSI/NFPA 70. If you are unfamiliar with wiring, use a qualified electrician.
- To reduce the risk of personal injury, do not bend the blade attachment system when installing, balancing, or cleaning the fan. Never insert foreign objects between rotating fan blades.
- To reduce the risk of fire, electrical shock, or motor damage, do not use a solid-state speed control with this fan. Use only Hunter speed controls.

## Installer's Choice and Optional Accessories



**Standard Mounting** hangs from the ceiling by a downrod (included).



**Angled Mounting** recommended for a vaulted or angled ceiling

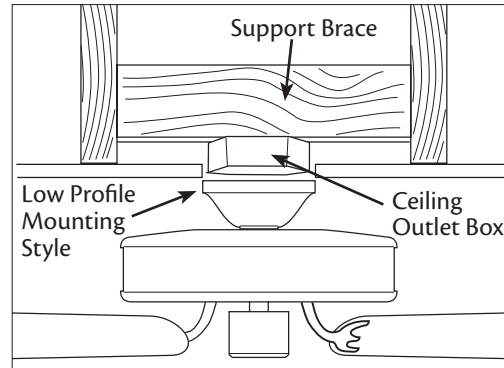
### Understanding Mounting and Installer's Choice®

Hunter's patented 3-position mounting system provides you maximum installation flexibility and ease. You can install your Hunter fan in one of three ways, depending on ceiling height and your preference: Low Profile, Standard, or Angled mounting. The steps in this manual include instructions for all three Installer's Choice mounting methods.

### Considering Optional Accessories

Consider using Hunter's optional accessories, including a wall-mounted or remote speed control. To install and use the accessories, follow the instructions included with each product. For quiet and optimum performance of your Hunter fan, use only Hunter speed controls.

For ceilings higher than 8 feet, you can purchase Hunter extension downrods. All Hunter fans use sturdy 3/4" diameter pipe to assure stability and wobble-free performance.



**Low Profile Mounting** fits close to the ceiling, recommended for ceilings less than 8 feet high

**▲ CAUTION:** To reduce the risk of personal injury, attach the fan directly to the support structure of the building according to these instructions, and use only the hardware supplied.

## 1 • Getting Ready

To install a ceiling fan, be sure you can do the following:

- Locate the ceiling joist or other suitable support in ceiling.
- Drill holes for and install wood screws.
- Identify and connect electrical wires.
- Lift 40 pounds.

If you need help installing the fan, your Hunter fan dealer can direct you to a licensed installer or electrician.

### Gathering the Tools

You will need the following tools for installing the fan:

- Electric drill with 9/64" bit
- Standard screwdriver (magnetic tip recommended)
- Phillips-head screwdriver (magnetic tip recommended)
- Wrench or pliers
- Ladder (height dependent upon installation site)

### Checking Your Fan Parts

Carefully unpack your fan to avoid damage to the fan parts. Refer to the included Parts Guide. Check for any shipping damage to the motor or fan blades. If any parts are missing or damaged, contact your Hunter dealer or call Hunter Technical Support Department at 888-830-1326 (In Canada, call 1-866-268-1936).

### Preparing the Fan Site

Before you begin installing the fan, follow all the instructions in the pullout sheet called "Preparing the Fan Site." Proper ceiling fan location and attachment to the building structure are essential for safety, reliable operation, maximum efficiency, and energy savings.

#### Installing Multiple Fans?

If you are installing more than one fan, keep the fan blades and blade irons (if applicable) in sets, as they were shipped.

## 2 • Installing the Hanger Bracket

2-1. Drill two pilot holes into the wood support structure through the outermost holes in the outlet box. The pilot holes should be  $9/64$ " in diameter.

**Note:** Your fan comes with four pre-installed neoprene noise isolators.

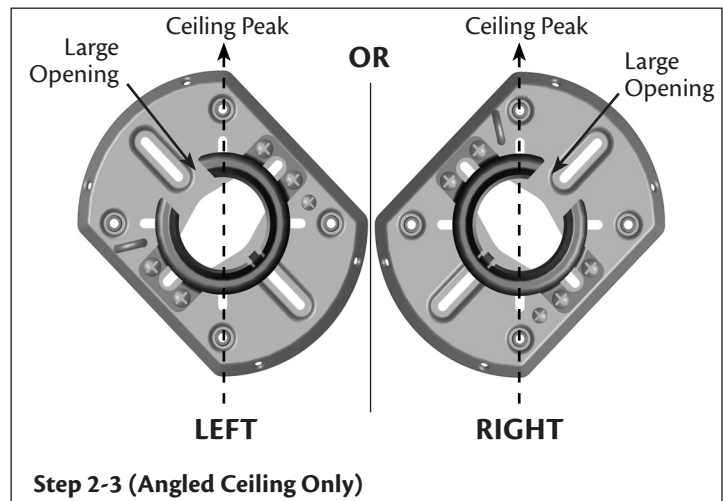
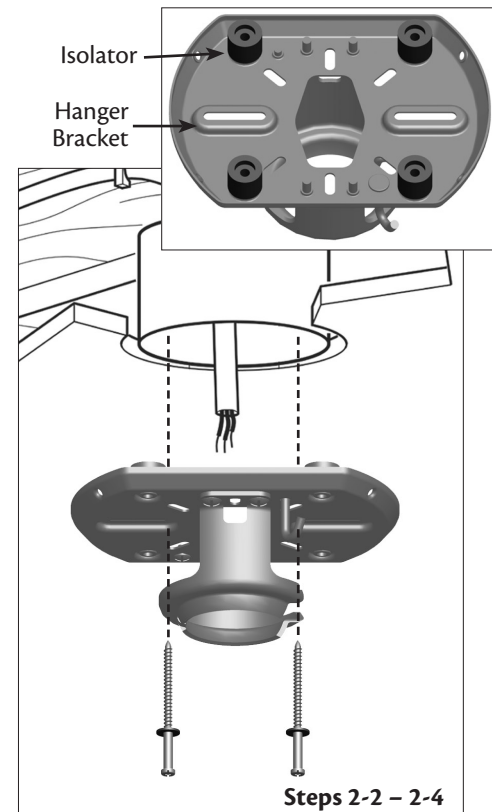
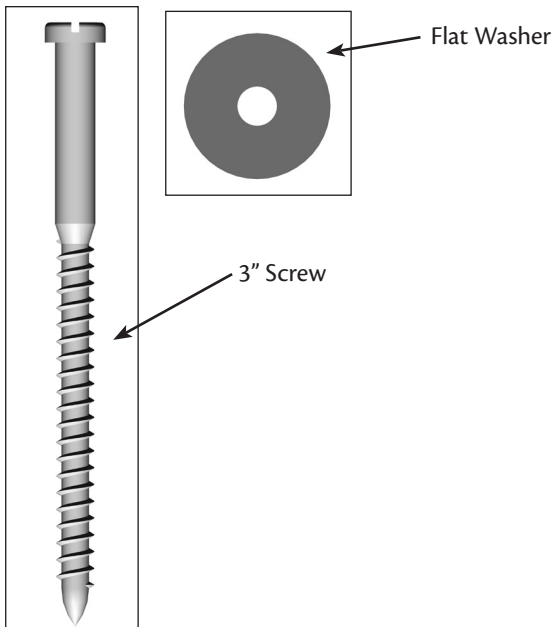
2-2. Thread the lead wires from the outlet box down through the hole in the middle of the hanger bracket.

2-3. Align the slotted holes in the hanger bracket with the pilot holes you drilled in the wood support structure. For proper alignment use slotted holes directly across from each other. If you are installing the fan on an **ANGLED** ceiling, be sure to orient the hanger bracket as shown in Illustration 2-3 (left or right view).

**Note:** The isolators should be flush against the ceiling.

2-4. Place a flat washer on each of the two 3" screws and pass the screws through the slotted holes in the hanger bracket into the pilot holes you drilled.

Tighten the screws into the  $9/64$ " pilot holes; do not use lubricants on the screws. Do not over tighten.



### 3 • Assembling and Hanging the Fan

You can assemble your fan for **standard** or **angled** mounting as shown in steps 3-1 – 3-3. For **low profile** mounting (ceilings less than 8 feet high), go to steps 3-6 – 3-9 on the next page.

3-1. To assemble fan to hang down from a flat or angled ceiling, place the canopy and canopy trim ring around the adapter so that they rest on the fan assembly.

3-2. Feed the wires from the fan through the downrod.

**Note:** Make sure all the wires are on the same side of the metal dowel pin inside the dowrod.

3-3. Loosen the square head setscrew on the adapter to install the pipe and ball assembly. **Note:** When the pipe and ball assembly is fully installed, 2-3 threads on the pipe will still be visible; this is normal. Securely retighten the setscrew with a wrench or pliers.

**▲ CAUTION:** The adapter has a special coating on the threads. Do not remove this coating; the coating prevents the downrod from unscrewing. Once assembled, do not remove the downrod.

**▲ WARNING:** Do not carry or lift fan by canopy.

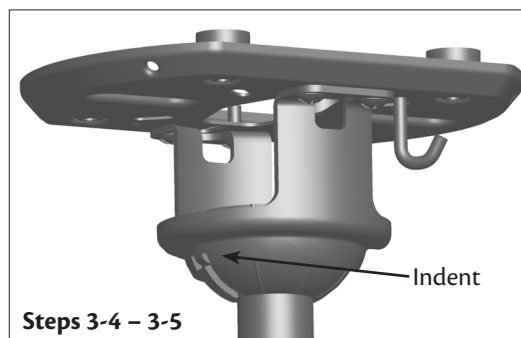
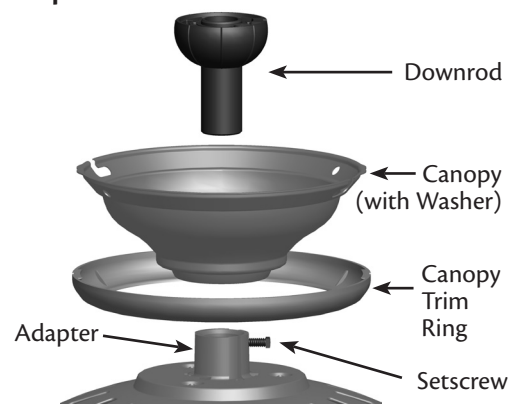
3-4. Raise the fan and place the ball into the hanger bracket.

3-5. Align the notch on the ball with the indent in the hanger bracket. (Rotate the fan until you hear the notch pop into place.)

Go to **4 • Wiring the Fan.**

**▲ WARNING:** Fan may fall if not assembled as directed in these installation instructions.

Steps 3-1 – 3-3



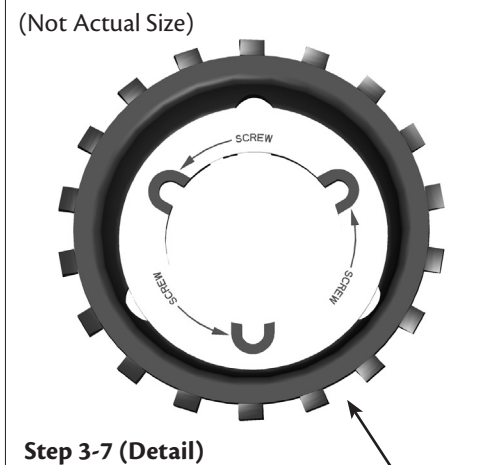
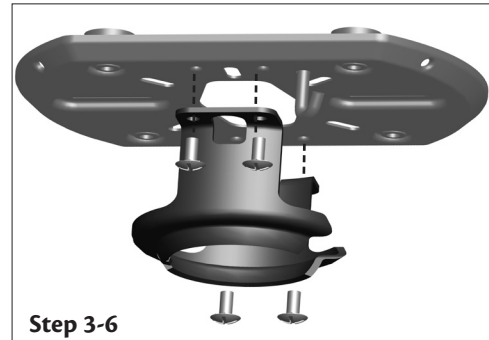
Steps 3-4 – 3-5

### 3 • Assembling and Hanging the Fan (Low Profile Only)

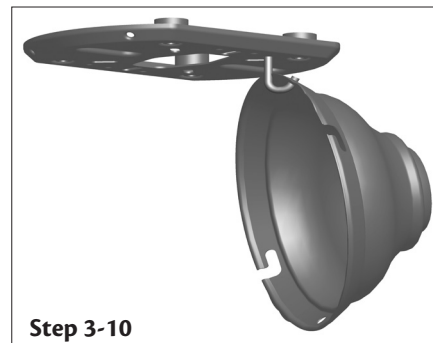
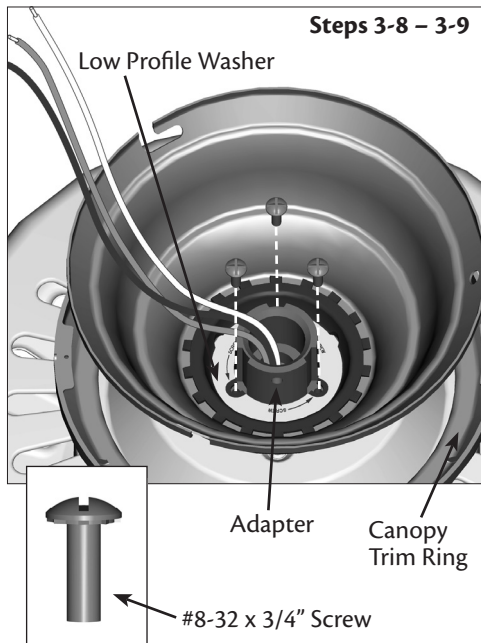
You can assemble your fan for **standard** or **angled** mounting as shown in steps 3-1 – 3-3 on the previous page. For **low profile** mounting (ceilings less than 8 feet high), see steps 3-6 – 3-10 on this page.

- 3-6. Remove the screws from the hanger ball bracket.
- 3-7. Place the low profile washer from the parts sack into the canopy.
- 3-8. Place the canopy trim ring and canopy with washer on top of the fan assembly.
- 3-9. Align the screw holes in the washer with the holes in the adapter. Assemble securely with three #8-32 x 3/4" screws.
- 3-10. Raise the fan and place the hook on the hanger bracket through the round hole in the rim of the canopy.

**⚠ WARNING:** Fan may fall if not assembled as directed in these installation instructions.



Low Profile Washer



## 4 • Wiring the Fan

**All wiring must be in accordance with national and local electrical codes and ANSI/NFPA 70. If you are unfamiliar with wiring, use a qualified electrician.**

Wall switches are not included. Select an acceptable general-use switch in accordance with national and local electrical codes.

- 4-1. Before attempting installation, make sure the power is still off.
- 4-2. To connect the wires, hold the bare metal leads together and place a wire connector over them, then twist clockwise until tight. For all these connections use the wire connectors provided.
- 4-3. Connect the bare or green ground wire  $\perp$  (grounding) from the ceiling to the green ground wire (grounding) from the ceiling plate and the green ground wire (grounding) from the fan.
- 4-4. Connect the white wire (grounded) from the ceiling to the white wire (grounded) from the fan.
- 4-5. Connect the remaining wires as follows:

### Dual Switch Wiring:

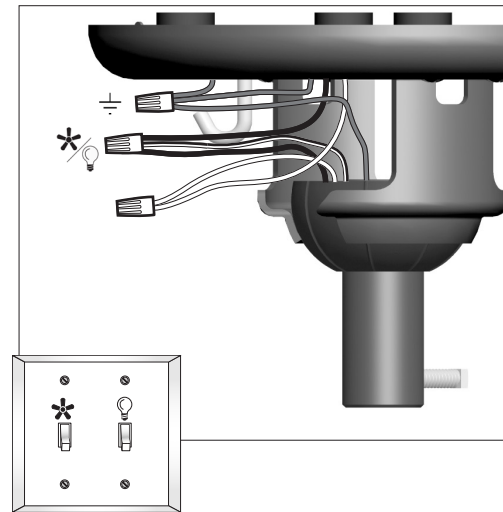
- The black wire (ungrounded) from the ceiling to the black wire (ungrounded) from the fan
- The black/white wire (ungrounded) from the fan to the wire (ungrounded) for the wall switch

### Single Switch Wiring:

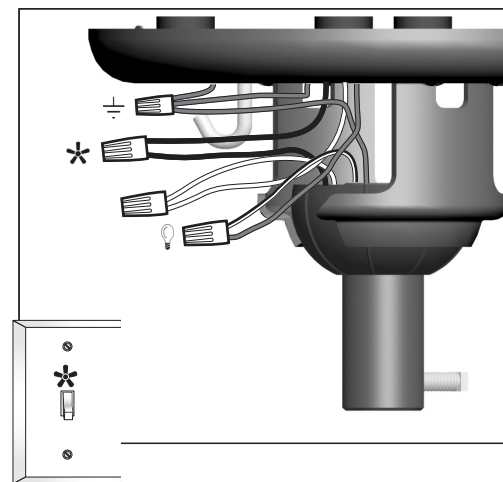
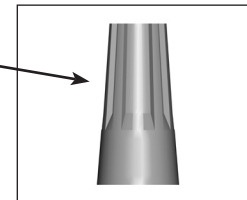
- The black wire (ungrounded) from the ceiling to the black (ungrounded) and the black/white wire (ungrounded) from the fan

**▲ CAUTION:** Be sure no bare wire or wire strands are visible after making connections.

- 4-6. Turn the wire connectors upward and push them carefully back through the ceiling plate into the outlet box.
- 4-7. Spread the wires apart, with the grounded wires on one side of the outlet box and the ungrounded wires on the other side of the outlet box.



Wire Connector



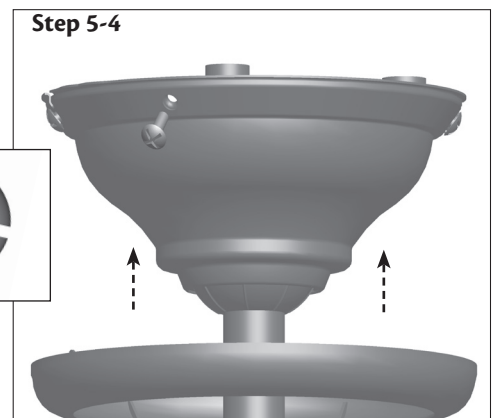
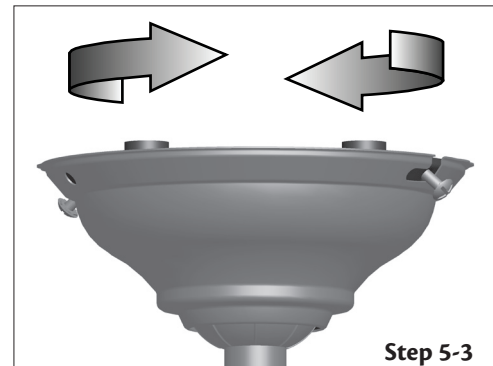
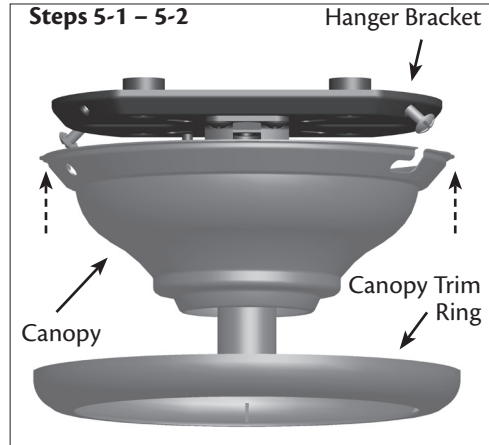
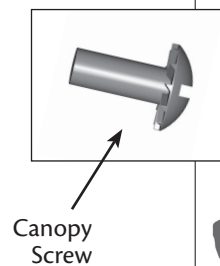
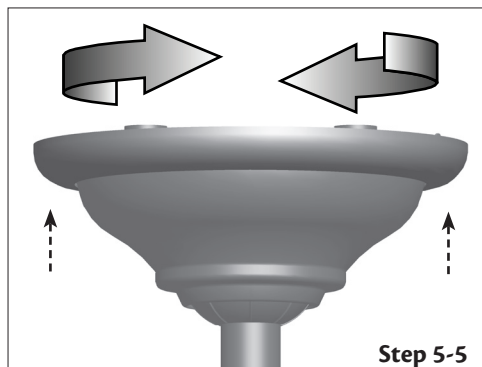


## 5 • Installing the Canopy and Canopy Trim Ring

- 5-1. Partially install two canopy screws (about 2 full turns) in the hanger bracket.
- 5-2. Raise the canopy over the hanger bracket. Align partially installed screws with key slots in canopy.
- 5-3. Twist canopy clockwise to secure.
- 5-4. Install third & fourth canopy screw in round hole on canopy. Securely tighten all four screws.
- 5-5. Using both hands, push the canopy trim ring up to the top of the canopy.
- 5-6. Twist canopy trim ring clockwise to secure the canopy.

**Should you need to remove the canopy trim ring, follow these steps:**

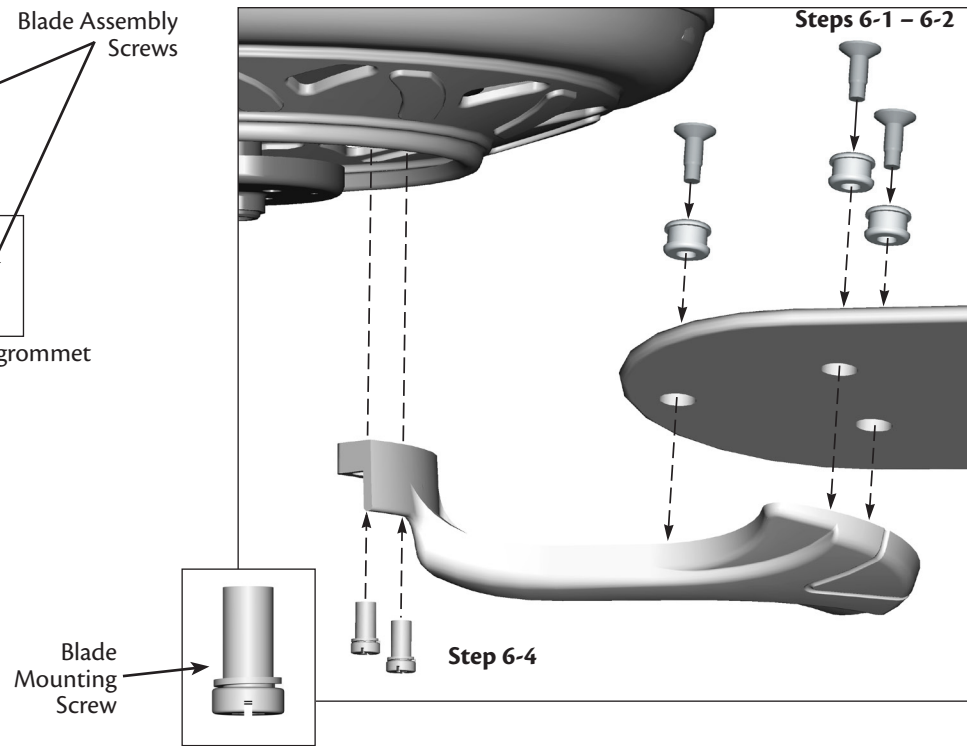
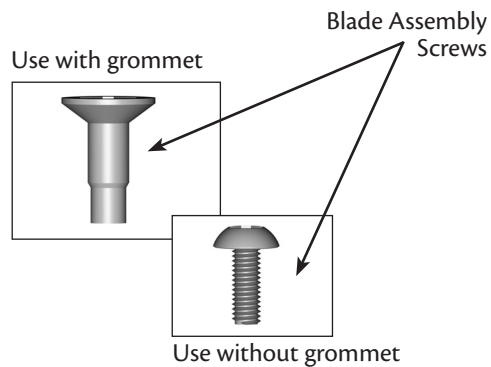
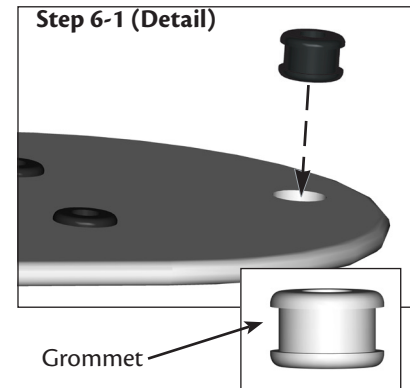
1. Twist canopy trim ring counter clockwise until it releases from canopy.



## 6 • Assembling the Blades

Hunter fans use several styles of fan blade irons (brackets that hold the blade to the fan).

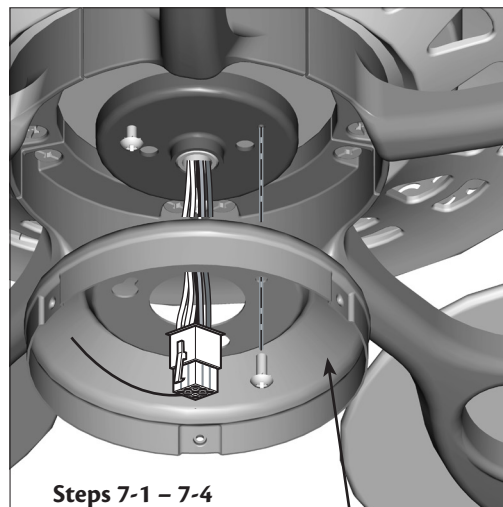
- 6-1. Your fan may include blade grommets. If your fan has grommets, insert them by hand into the holes on the blades.
- 6-2. Attach each blade to a blade iron using three blade assembly screws. If you used grommets, the blades may appear slightly loose after screws are tightened. This is normal.
- 6-3. Remove the blade mounting screws and rubber shipping bumpers from the motor. **Note:** Some blade mounting screws are installed in the motor to secure shipping blocks.
- 6-4. For each blade, insert one blade mounting screw through the blade iron, and attach lightly to the fan. Insert the second blade mounting screw, then securely tighten both mounting screws.



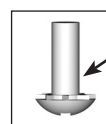
## 7 • Light/Speaker Assembly Installation

- 7-1. To attach the upper switch housing, partially install two housing assembly screws into the switch housing mounting plate.
- 7-2. Feed the upper plug connector through the center opening of the housing.
- 7-3. Align the keyhole slots in the housing with the housing assembly screws.
- 7-4. Turn the housing counterclockwise until the housing assembly screws are firmly situated in the narrow end of the keyhole slots. Install the remaining screw into the housing. Tighten all three screws firmly.

**▲ CAUTION:** Make sure the upper switch housing is securely attached to the switch housing mounting plate. Failure to properly attach and tighten all three assembly screws could result in the switch housing fixture falling.



Steps 7-1 – 7-4

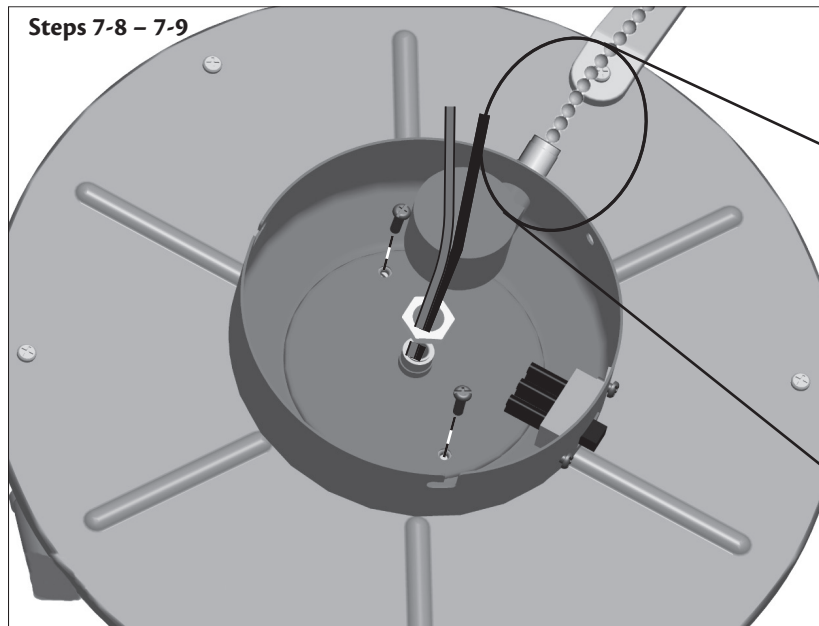
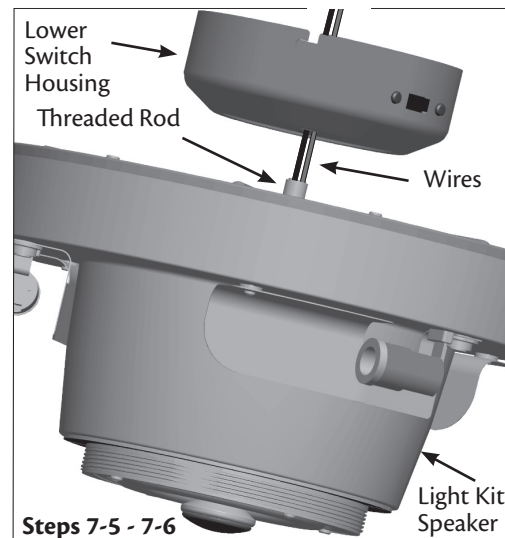


Housing  
Assembly  
Screw

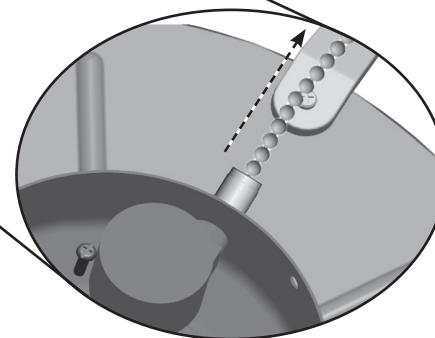
Upper  
Switch  
Housing

## 7 • Light/Speaker Assembly Installation (Continued)

- 7-5. Feed the two wires from the light kit up through the center hole in the lower switch housing.
- 7-6. Insert the threaded rod from the light kit/speaker assembly into the center hole in the lower switch housing.
- 7-7. Align the screw holes in the bottom of the lower switch housing with the screw holes on top of the light kit/speaker assembly, making sure the pull chain lines up with the chain guide.
- 7-8. Attach the light kit/speaker assembly to the lower switch housing by installing the two #6-32 round head screws.
- 7-9. Install the nut and washer onto the threaded rod from the light kit/speaker assembly.
- 7-10. Remove the wire connectors from the two wires in the switch housing labeled "Connect Light Here" or "For Light Use."



**Note:** Align the fan pull chain with the chain guide.



## 7 • Light/Speaker Assembly Installation (Continued)

7-11. To connect the wires, hold the bare metal leads together and place a wire connector over them, then twist clockwise until tight. Connect the black wire with a white stripe from the lower switch housing to the black wire from the light kit. Connect the white wire from the lower switch housing to the white wire from the light kit/speaker. Secure all wire connections using wire connectors.

7-12. To attach the lower switch housing assembly to the fan, partially install two housing assembly screws into the upper switch housing.

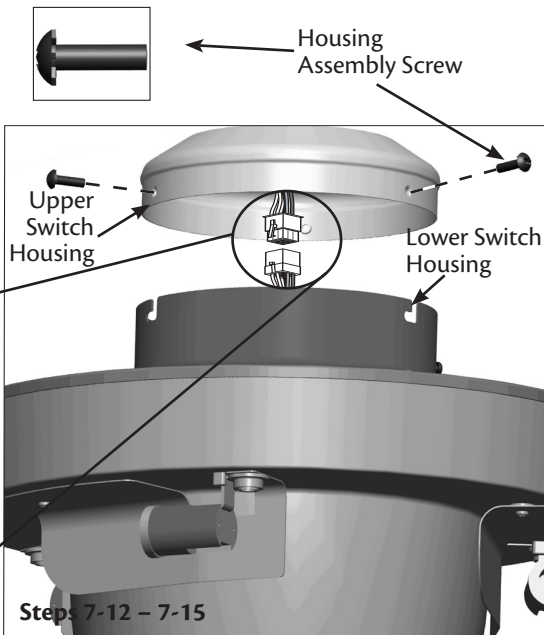
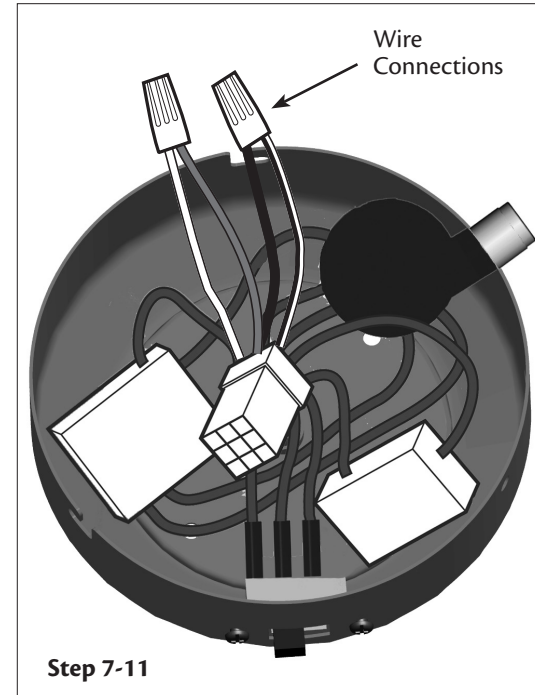
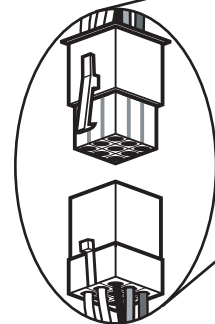
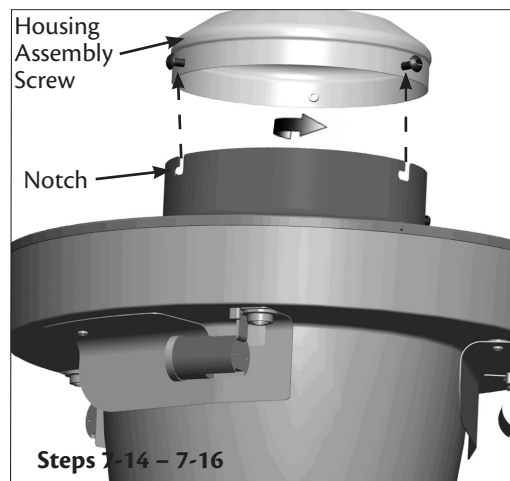
7-13. Connect the upper plug connector from the motor to the lower plug connector in the lower switch housing assembly.

**Note:** Both plug connectors are polarized and will only fit together one way. Make sure the connectors are properly aligned before connecting them. Incorrect connection could cause improper operation and damage to the product.

7-14. Align the notches in the sides of the lower switch housing with the screws on the upper switch housing. Twist the lower switch housing and the light kit/speaker assembly clockwise to lock the screws in place.

7-15. Install the third housing assembly screw.

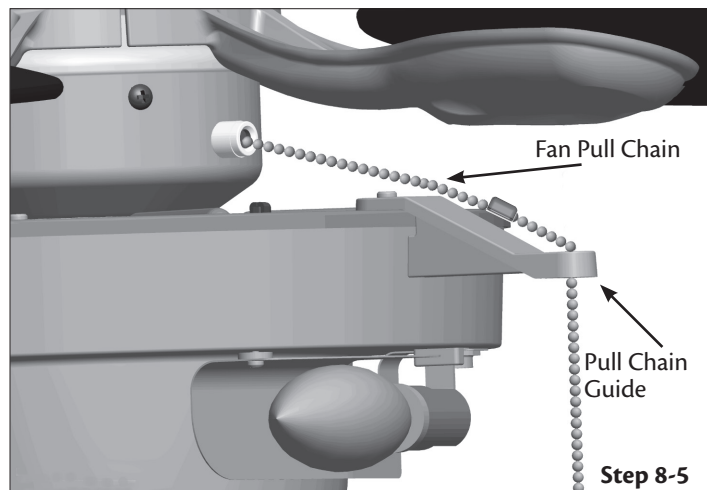
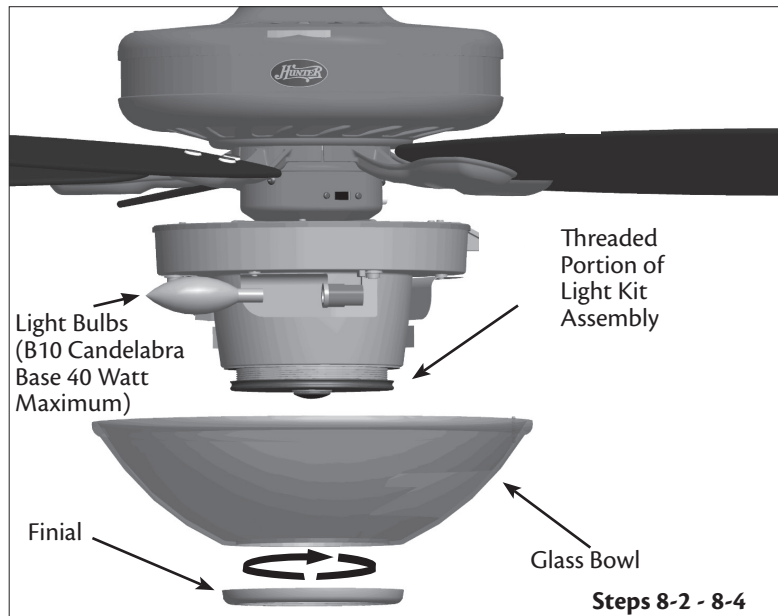
7-16. Tighten all three screws securely.



## 8 • Glass Installation

### Installing the Glass Bowl

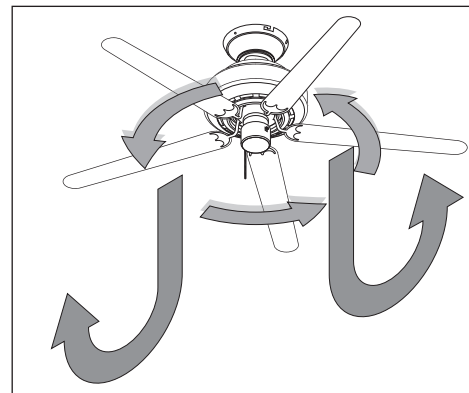
- 8-1. Remove protective foam ring from threaded portion of light kit/speaker assembly.
- 8-2. Install B10 candelabra bulbs (40 Watt Maximum) into the sockets.
- 8-3. Place the glass bowl over the light kit/speaker assembly, ensuring the threaded portion of the light kit assembly comes out of the bottom of the glass bowl.
- 8-4. Place the finial over the threaded portion of the light kit/speaker assembly and twist it as shown to tighten it against the glass bowl.
- 8-5. Thread the fan pull chain through the pull chain guide.



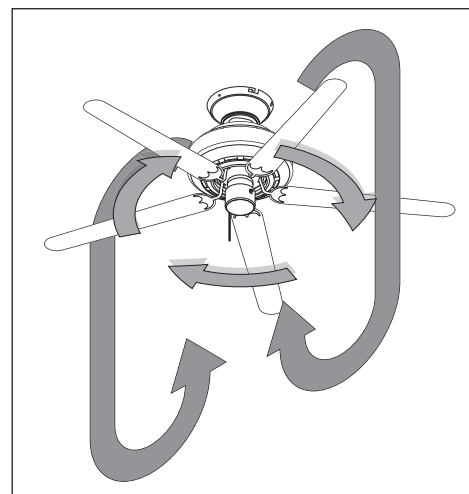
**Note:** In compliance with US federal energy regulations, this ceiling fan contains a device that restricts the light kit to a maximum of 190 Watts. Exceeding that limit or the marked limit on this product may result in fire hazard or improper operation.

## 9 • Operating and Cleaning Your Ceiling Fan

- 9-1. Turn on electrical power to the fan.
- 9-2. The fan pull chain controls power to the fan. The pull chain has four settings in sequence: High, Medium, Low, and Off.
  - Pull the chain slowly to change settings.
  - Release slowly to prevent the chain from recoiling into the blades.
  - The chain uses a breakaway connector that separates if the chain is jerked. If this happens, simply reinsert the chain into the connector.
- 9-3. Ceiling fans work best by blowing air downward (counterclockwise blade rotation) in warm weather to cool the room with a direct breeze. In winter, having the fan draw air upward (clockwise blade rotation) will distribute the warmer air trapped at the ceiling around the room without causing a draft.
- 9-4. For cleaning finishes, use a soft brush or lint-free cloth to prevent scratching. A vacuum cleaner brush nozzle can remove heavier dust. Remove surface smudges or accumulated dirt and dust using a mild detergent and a slightly dampened cloth. You may use an artistic agent, but never abrasive cleaning agents as they will damage the finish.
- 9-5. Clean wood finish blades with a furniture polishing cloth. Occasionally, apply a light coat of furniture polish for added protection and beauty. Clean painted and high-gloss blades in the same manner as the fan finish.



**In warm weather**, use downward air flow pattern

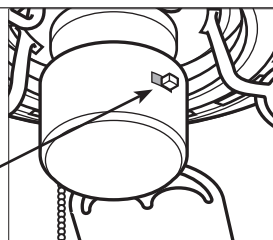


**In cold weather**, use upward air flow pattern

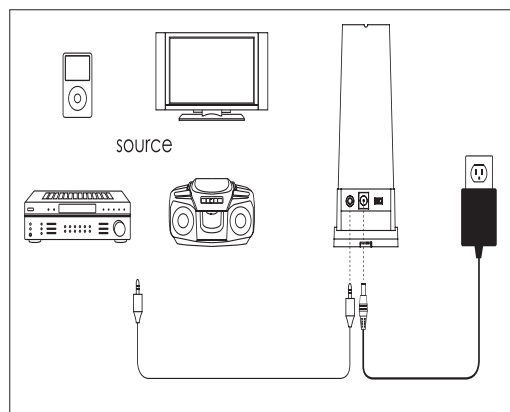
### To Change Airflow Direction

Turn the fan off and let it come to a complete stop. Slide the reversing switch on the fan to the opposite position. Restart fan.

Reversing  
Switch



## 10 • Installation and Setup of Maestro™ and Remote



**3.5 mm Stereo Cable Installation**

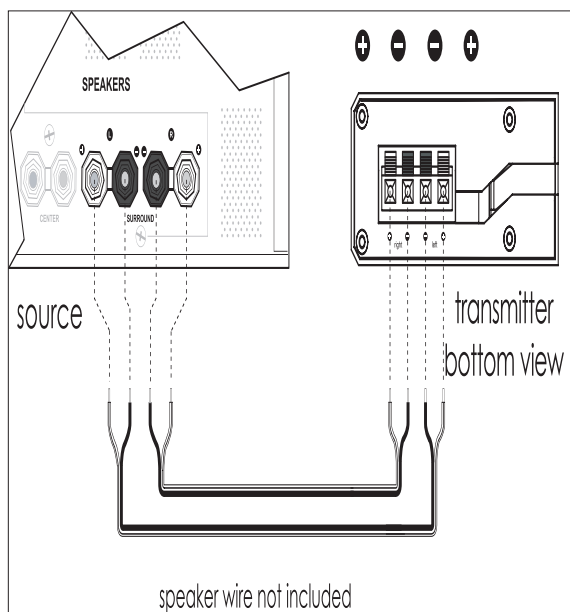
To accommodate different audio systems and devices, the Maestro™ can be installed in one of two ways. You can choose to install the Maestro™ with **3.5mm Stereo Cable** or you can install it with **Speaker Wire**.

### Considering Optional Accessories

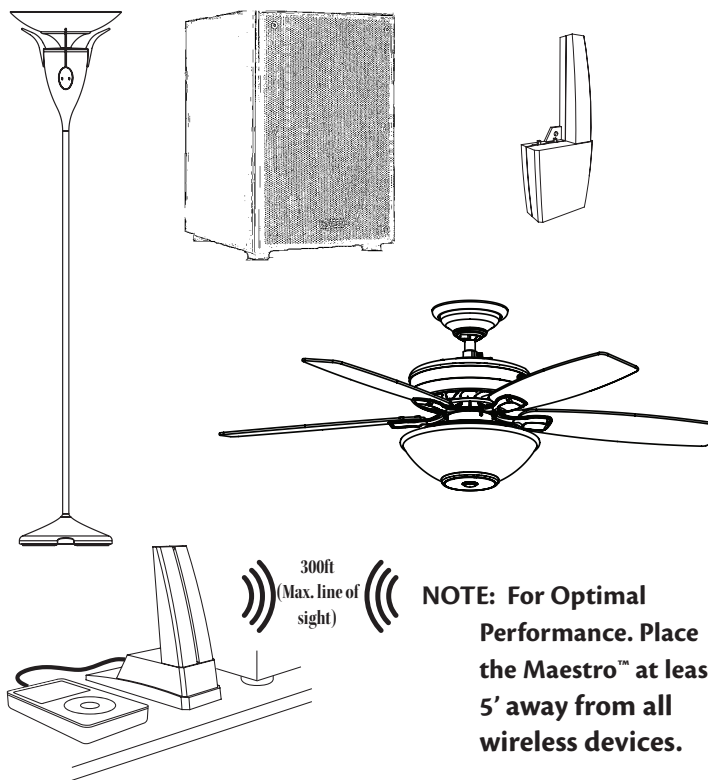
Consider using Soundolier's® optional accessories, which include Wireless Subwoofers and Duo™ Lamps.

Optional accessories can be purchased through Authorized Hunter Dealers.

For quiet and optimum performance of your Hunter fan, use only Hunter speed controls.



**Speaker Wire Installation**



**NOTE: For Optimal Performance. Place the Maestro™ at least 5' away from all wireless devices.**

\* walls and other obstructions may limit range



## 10 • Installation and Setup of Maestro™ and Remote (Continued)

### Powering the Maestro™:

- 10-1. Plug the AC adaptor into the back of the Maestro™ in the port labeled **power**.
- 10-2. Select the correct channel by sliding the switch to the desired channel.

### For 3.5mm Stereo Cable Installation:

- 10-3. Plug a 3.5mm stereo cable into the back of the Maestro™ in the port labeled **line in**.
- 10-4. Plug the other end of the 3.5mm stereo cable into your audio device.

### For Speaker Wire Installation:

- 10-5. Connect the speaker wire (not included) to the speaker input terminals on the bottom of the Maestro™. Make sure that the plus (+) and the minus (-) signs on the Maestro™ correspond with the plus (+) and the minus (-) signs on your audio device.
- 10-6. Make sure that all connections are firm.

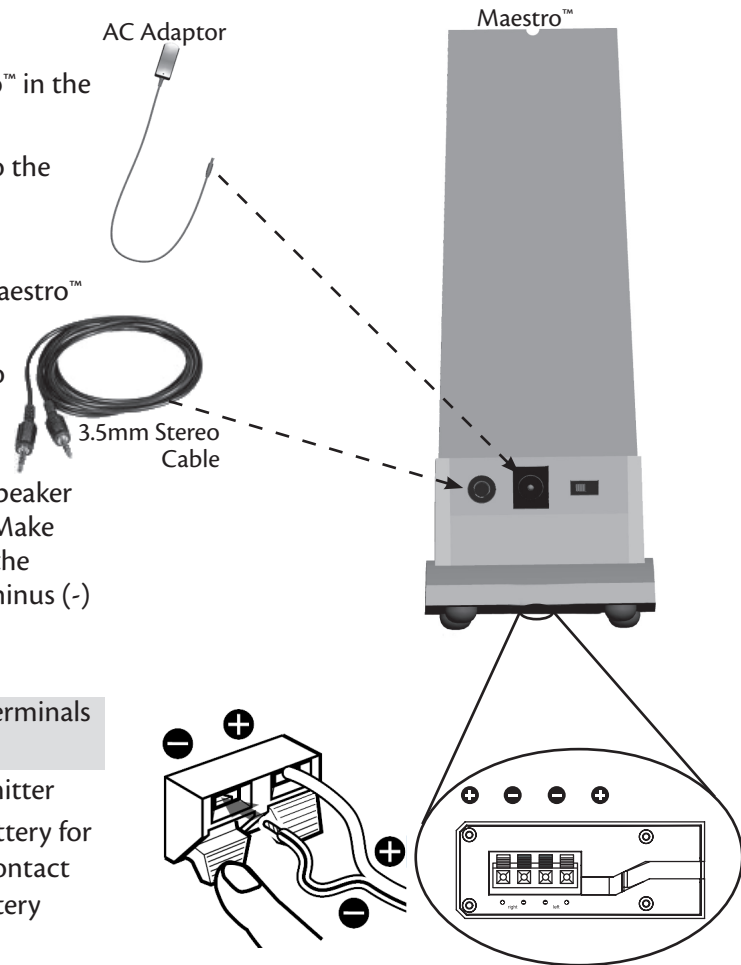
**▲ NOTE:** Contact between bare speaker wires at the terminals can cause a short-circuit.

- 10-7. Install the included 3-volt battery into the transmitter  
This product includes one 3-volt type CR2025 battery for use with the remote control transmitter. Please contact your local battery recycling center for proper battery disposal information.

**▲ CAUTION:** The remote control device complies with part 15 of the FCC rules. Changes or modifications not expressly approved by Hunter Fan Company could void your authority to operate this equipment.

Operation is subject to the following two conditions:

1. This device may not cause harmful interference.
2. This device must accept any interference received, including interference that may cause undesired operation.



**▲ DO NOT put Maestro™ in a damp place or where humidity is high.**

**NOTE: For Optimal Performance. Place the Maestro™ at least 5' away from all wireless devices.**

## 11 • Operating the Remote Control (Light/Speaker)

### Light:



Pressing the ON/OFF button on the remote once will turn the light on and pressing the button again will turn the light off.



LIGHT

Press to increase the brightness of the light.



Press to decrease the brightness of the light.

### Speaker:



Pressing the MUTE button on the remote once will turn the speaker on and pressing the button again will turn the speaker off.



VOLUME

Press to increase the VOLUME of the speaker.

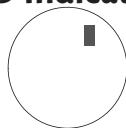
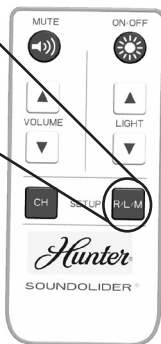


Press to decrease the VOLUME of the speaker.

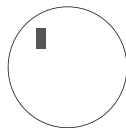


Pressing the will switch the surround sound function between:

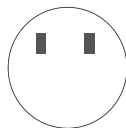
### LED Indicators



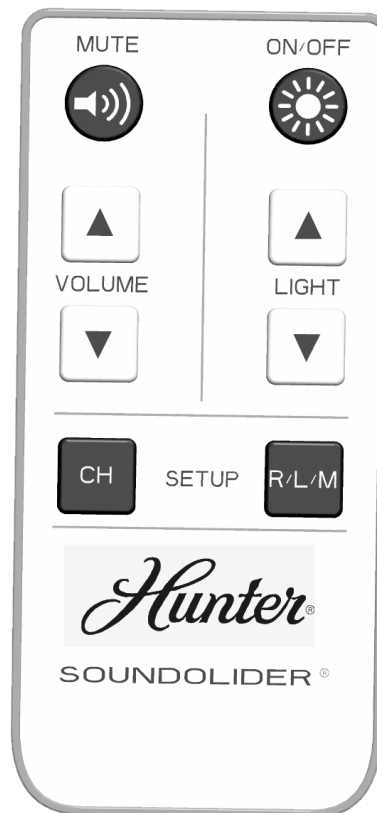
R Right Channel



L Left Channel



M Mixed Channel



LED Indicators

## 12 • Changing the channel on the Maestro™ and the Fan

**▲ NOTE:** The Maestro™ transmitter and the fan must be on the **same channel** to transmit and receive properly.

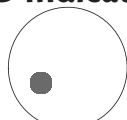
12-1. To change the channel on the Maestro™, slide the channel selection switch on the lower right corner of the transmitter.

12-2. To change the channel on the fan press the **CH** button on the remote.

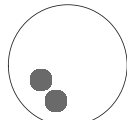
12-3 The green/red LED indicators on the bottom of the fan display the channel the fan is tuned to. Green LEDs indicate a good signal and red LEDs indicate no signal.



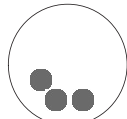
### LED Indicators



Channel 1



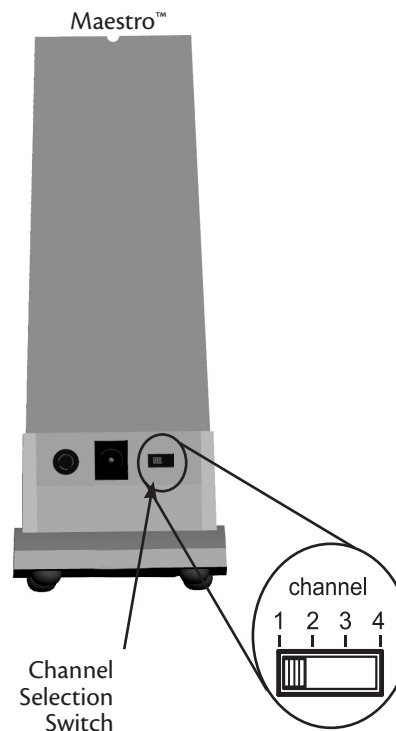
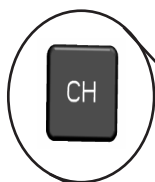
Channel 2



Channel 3



Channel 4



## 13 • Troubleshooting

**Problem: Nothing happens; fan does not move.**

1. Turn power on, replace fuse, or reset breaker.
2. Loosen canopy, check all connections according to the wiring the fan section.
3. Check the plug connection in the switch housing.
4. Push motor reversing switch firmly left or right to ensure that the switch is engaged.
5. Pull the pull chain to ensure it is on.
6. Remove the shipping bumpers.

**Problem: Noisy operation.**

1. Tighten the blade assembly screws and blade iron armature screws until snug.
2. Check to see if the blade is cracked. If so, replace all the blades.

**Problem: Excessive wobbling.**

1. If your fan wobbles when operating, use the enclosed balancing kit and instructions to balance the fan.
2. Tighten all blade iron screws.
3. Turn power off, support fan very carefully, and check that the hanger ball is properly seated.

**Problem: Lights dim when turned on or do not turn on.**

1. Check to make sure the wattage and type of light bulbs installed match the specifications on the light socket.

**Problem: Sound does not come on.**

1. Check to make sure the Maestro™ has power.
2. Press the MUTE button to turn on the speaker.
3. Make sure that the speaker is on the correct channel.

**Problem: Interference with wireless devices.**

1. Change the channel on the Maestro™ and the fan. See "Changing the Channel on the Maestro™ and the Fan."
2. Change the channel on the wireless device.

If you need parts or service assistance, please call 888-830-1326 or visit us at our Web site at <http://www.hunterfan.com>.

Hunter Fan Company  
7130 Goodlett Farms Pkwy. # 400  
Memphis, Tennessee 38016