

Bowl Light Kit

Owner's Guide and Installation Manual
Manual De Propietario



English

Español

Form# 43546-01
20090408
©2009 Hunter Fan Co.

SINCE 1886
Hunter[®]

Welcome

Your new Hunter® light kit is an addition to your home or office that will provide comfort and performance for many years. This installation and operation manual gives you complete instructions for installing and operating your light kit.

We are proud of our work. We appreciate the opportunity to supply you with the best products available anywhere in the world.

Before installing your light kit, for your records and warranty assistance, record information from the carton and Hunter nameplate label.

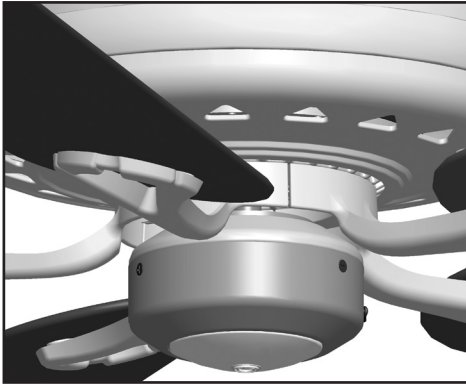
Cautions and Warnings

- **READ THIS ENTIRE MANUAL CAREFULLY BEFORE BEGINNING INSTALLATION. SAVE THESE INSTRUCTIONS.**
- Use only Hunter replacement parts.
- To reduce the risk of personal injury, install this light fixture only on Hunter® fan types A through Z. **Note:** The fan type can be found on the ceiling fan package or on the nameplate label located on top of the motor housing of the ceiling fan.
- To avoid possible electrical shock, before installing light fixtures, disconnect the power by turning off the circuit breakers both to the outlet box and to its associated wall switch location. If you cannot lock the circuit breakers in the off position, securely fasten a prominent warning device, such as a tag, to the service panel.
- Connect house wiring to the fan before attaching the light fixture to the fan.
- All wiring must be in accordance with national and local electrical codes and ANSI/NFPA 70. If you are unfamiliar with wiring, use a qualified electrician.

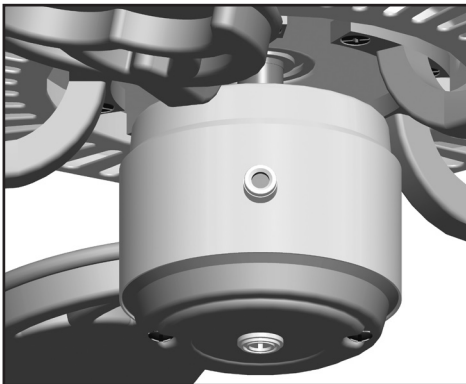
Table Of Contents

| | |
|--|----|
| Installing the Light Kit on Fans With Removable Switch Housing | 4 |
| Installing the Light Kit on Fans With Non-Removable Switch Housing . . . | 6 |
| Installing the Light Kit on the Hunter Original | 8 |
| Installing Bulbs, Chain, and Globe | 9 |
| Troubleshooting | 10 |

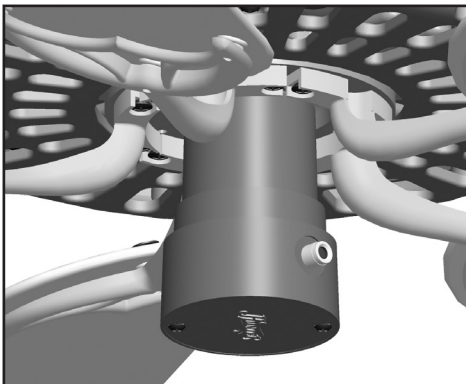
Installation Methods of Hunter® Ceiling Fans Type A-Z



Removable Switch Housing



Non-removable Switch Housing



The Hunter Original

Your *Hunter*® light kit can be installed in one of three ways, depending on the type of switch housing. The steps in this manual include instructions for all three installation methods. Fans with a removable switch housing, fans with a non-removable switch housing, and The Hunter Original.

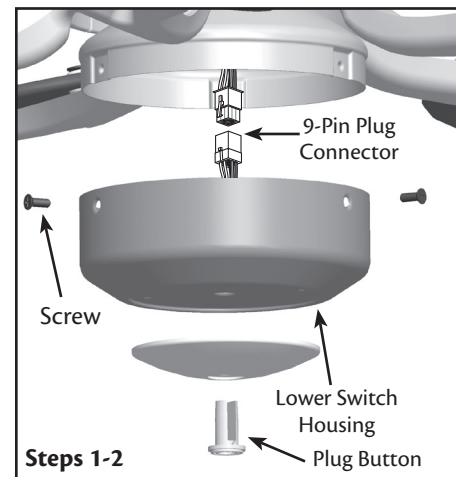
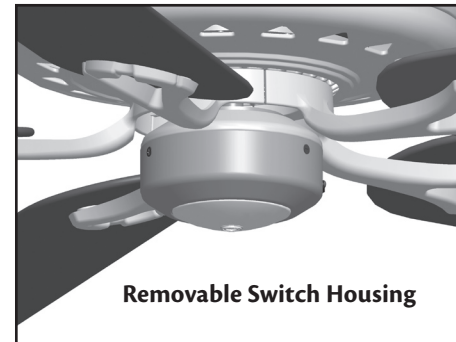
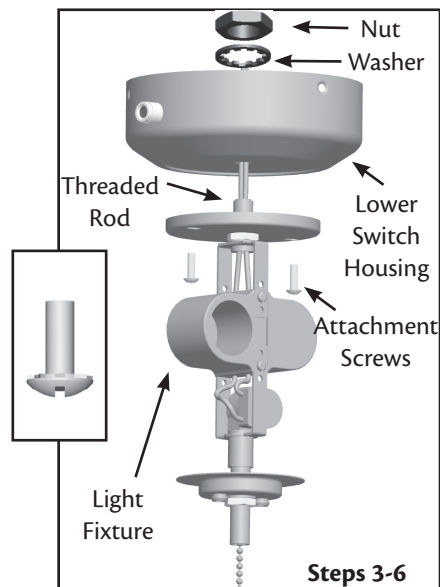
Installing the Light Kit on Fans With Removable Switch Housing

1. Unscrew the three screws from the upper switch housing. Disconnect the 9-pin plug connectors. Remove the lower switch housing.
2. Push the plug button from inside the lower switch housing to remove the plug button and switch housing cap.

NOTE: Save the plug button and switch housing cap should you choose to remove the light fixture in the future.

CAUTION: If your fan is operated by remote control, take care not to damage the small components on the circuit board inside the housing.

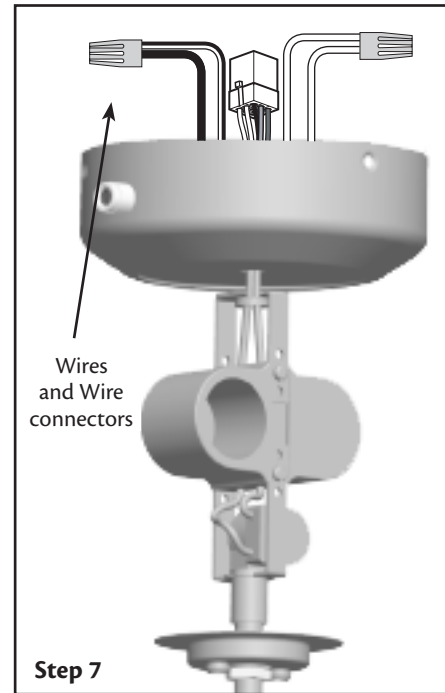
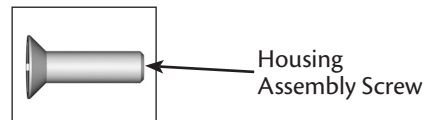
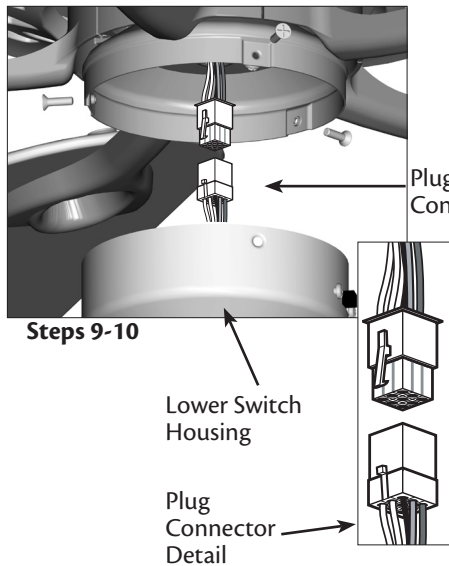
3. Feed the two wires from the light fixture through the center hole in the lower switch housing.
4. Screw the threaded rod of the light fixture into the center of the lower switch housing until you feel resistance. Unscrew the light fixture slightly until the holes of the light fixture are aligned with the holes in the lower switch housing.
5. Finish attaching the light fixture to the lower switch housing using the two attachment screws included. Securely tighten the two screws.
6. Install the nut and washer inside the upper switch housing onto the threaded rod from the upper light housing.



WARNING: Improper installation could cause the light fixture to fall.

Installing the Light Kit on Fans With Removable Switch Housing (Continued)

- Remove the wire connectors from the two wires in the switch housing labeled "Connect Light Here" or "For Light Use." To connect the wires, hold the bare metal leads together and place a wire connector over them, then twist the wire connector clockwise until tight. Connect the black wire with a white stripe from the switch housing to the black wire from the light kit. Connect the white wire from the switch housing to the white wire from the light kit. Secure all wire connections using wire connectors.
- ⚠ CAUTION:** Be sure no bare metal wires or wire strands are visible after making the connections.
- Reconnect the 9-pin plug connector.
 - Reinstall screws to reattach the lower switch housing to the upper switch housing.
 - Go to the instructions for Installing the Bulbs, Chains, and Globe.

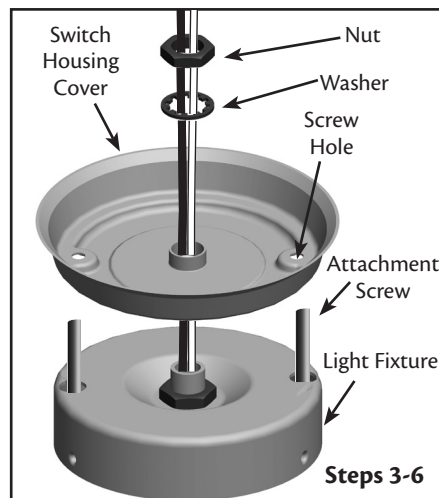
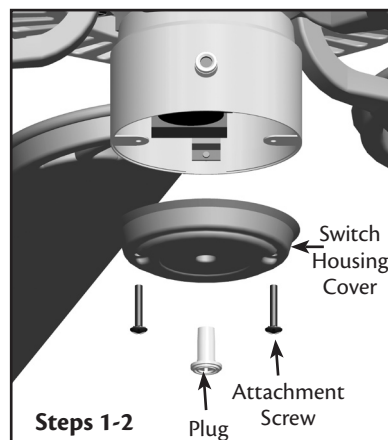
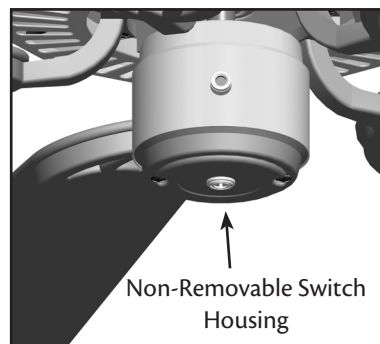
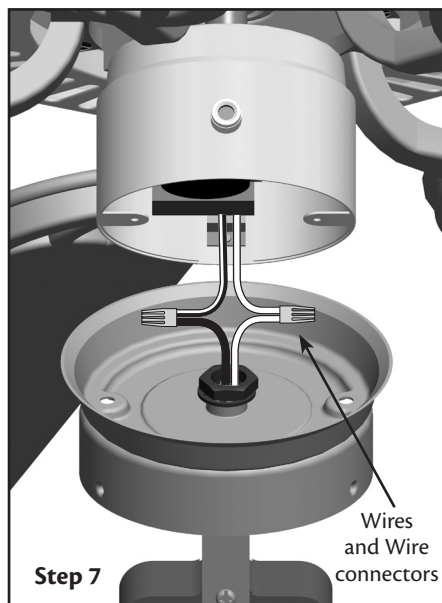


Installing the Light Kit on Fans With Non-Removable Switch Housing

1. Uninstall the two attachment screws from the switch housing cover.
2. Remove the plug or screw from the center of the switch housing cover.
3. Thread the switch housing cover onto the upper light housing. Align the screw holes in the upper light housing with the screw holes in the switch housing cover. Install the nut and washer onto the threaded rod from the light kit to secure the switch housing cover.
4. Remove the wire connectors from the two wires in the switch housing labeled "Connect Light Here" or "For Light Use." One wire is white and the other wire is black with a white stripe.
5. Feed the two wires from the switch housing through the threaded rod in the upper light housing.
6. To connect the wires, hold the bare metal leads together and place a wire connector over them, then twist the wire connector clockwise until tight. Connect the black wire with a white stripe from the switch housing to the black wire from the light kit. Connect the white wire from the switch housing to the white wire from the light kit. Secure all wire connections using wire connectors.
7. Align the threaded screw holes in the switch housing cover with the threaded holes in the switch housing. Attach the switch housing cover and light fixture to the switch housing using the included attachment screws.

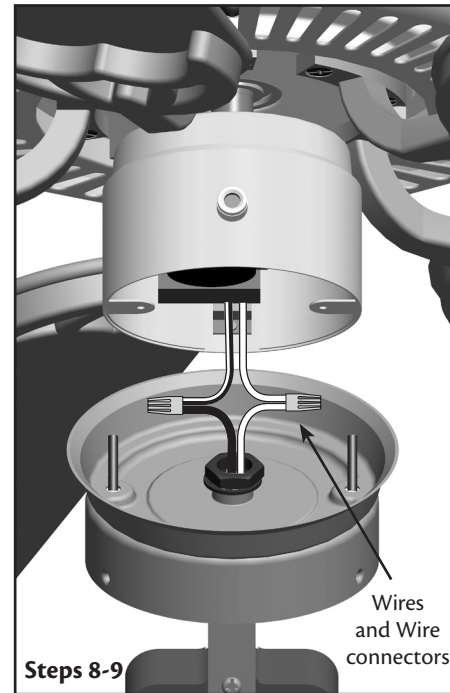
CAUTION: Be sure no bare metal wires or wire strands are visible after making the connections.

WARNING: Improper installation could cause the light fixture to fall.



Installing the Light Kit on Fans With Non-Removable Switch Housing Cont.

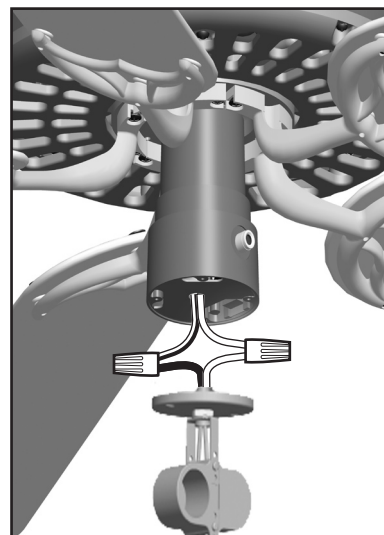
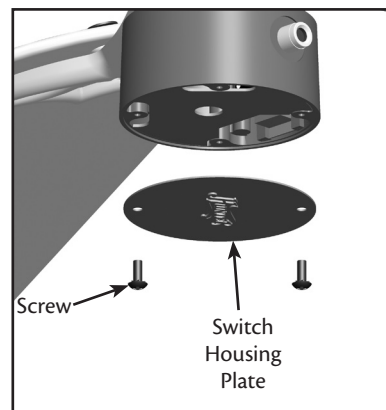
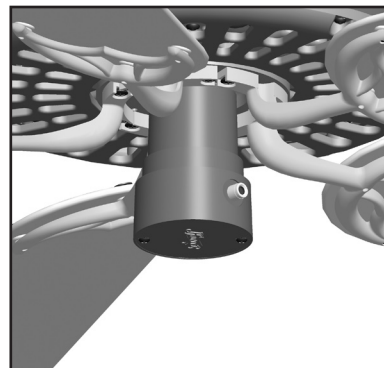
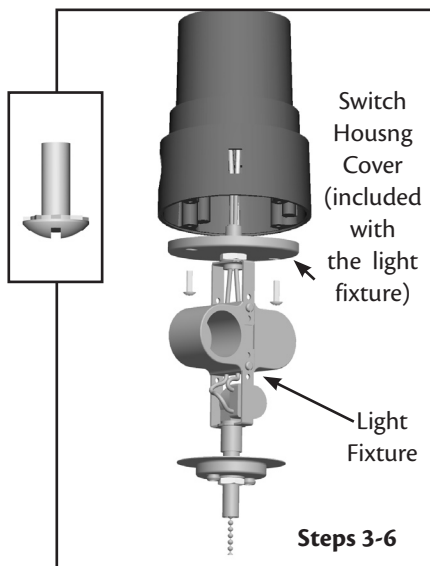
8. Attach the light fixture to the switch housing with the two screws included with the light fixture, aligning the holes in the light fixture, switch housing cover, and switch housing.
9. Securely tighten the two screws.
10. Go to the instructions for Installing the Bulbs, Chains, and Globe.



Installing the Light Kit on the Hunter Original

1. Uninstall the two screws from the switch housing plate.
NOTE: Save the switch housing cap should you choose to remove the light fixture in the future.
2. Remove the wire connectors from the two wires in the switch housing labeled "Connect Light Here" or "For Light Use." One wire is white and the other wire is black wire with a white stripe. Thread the two wires through the hole in the center of the light fixture.
3. To connect the wires, hold the bare metal leads together and place a wire connector over them, then twist the wire connector clockwise until tight. Connect the black/white striped wire from the switch housing to the black wire from the light kit. Connect the white wire from the switch housing to the white wire from the light kit. Secure all wire connections using wire connectors.
⚠ CAUTION: Be sure no bare metal wires or wire strands are visible after making the connections.
4. Attach the light fixture to the switch housing with the two screws, included with the light fixture, aligning the holes in the fixture, switch housing cover, and switch housing.
5. Securely tighten the two screws.
6. Go to the instructions for Installing the Bulbs, Chains, and Globe.

⚠ WARNING: Improper installation could cause the light fixture to fall, or result in electrical shock or personal injury.

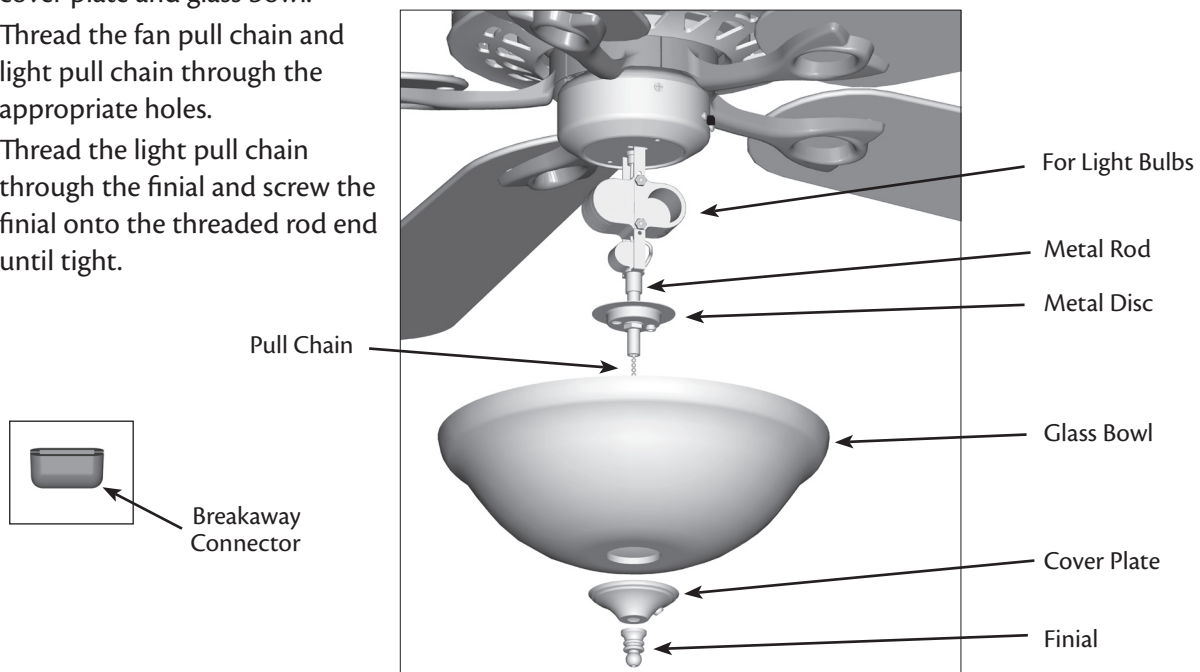


Installing Bulbs, Chain, and Globe

1. First install included CFL medium base bulbs.
2. Attach the extra pull chain (included) to the fan pull chain using the plastic breakaway connector. (You may find the plastic breakaway connector on the end of the extra chain.)
3. Thread the fan pull chain through the hole in the metal disc. Then, thread the fan pull chain through the hole in the center of the glass bowl.
4. Thread the light pull chain through the hole in the center of the glass bowl.
5. Place the cover plate up against the glass bowl. Align the holes in the cover plate and glass bowl.
6. Thread the fan pull chain and light pull chain through the appropriate holes.
7. Thread the light pull chain through the finial and screw the finial onto the threaded rod end until tight.



CFL
(included)



Troubleshooting

Troubleshooting

Light does not come on.

1. Make sure bulbs are installed properly.
2. Make sure breakers or fuses are on.
3. Verify that the light power lead is connected at the ceiling. Refer to your ceiling fan manual for locating assembly and wiring.

Glass rattles.

1. Make sure the glass globe is secure.

If you need parts or service assistance, please call 888-830-1326 or visit us at our Web site at <http://www.hunterfan.com>.

Hunter Fan Company
7130 Goodlett Farms Pkwy. # 400
Memphis, Tennessee 38016

This Light Fixture Weighs 6 lbs.

Printed in China