

**For Your Records and
Warranty Assistance**

For reference, also attach your receipt or a copy
of your receipt to the manual.

Model Name

Model No.

Date Purchased

Where Purchased

Type 2 Models

Owner's Guide and Installation Manual

English

Español

Form# 41225-01
20091204
©2009 Hunter Fan Co.

SINCE 1886
Hunter[®]

Welcome

Your new Hunter® ceiling fan is an addition to your home or office that will provide comfort and performance for many years. This installation and operation manual gives you complete instructions for installing and operating your fan.

We are proud of our work. We appreciate the opportunity to supply you with the best ceiling fan available anywhere in the world.

Before installing your fan, for your records and warranty assistance, record information from the carton and Hunter nameplate label (located on the top of the fan motor housing).

Table Of Contents

| | |
|---|----|
| Preparing the Fan Site | 3 |
| 1 • Getting Ready | 6 |
| 2 • Installing the Ceiling Plate | 7 |
| 3 • Assembling the Top Housing | 8 |
| 4 • Assembling and Hanging the Fan ... | 9 |
| 5 • Wiring the Fan | 10 |
| 6 • Installing the Canopy | 11 |
| 7 • Assembling the Blades | 12 |
| 8 • Aligning the Fixture Fitter | 13 |
| 9 • Completing Your Installation With a Bowl Light Fixture | 15 |
| 10 • Operating and Cleaning Your Ceiling Fan | 16 |
| 11 • Troubleshooting | 17 |

Cautions and Warnings

- **READ THIS ENTIRE MANUAL CAREFULLY BEFORE BEGINNING INSTALLATION. SAVE THESE INSTRUCTIONS.**
- Use only Hunter replacement parts.
- To reduce the risk of personal injury, attach the fan directly to the support structure of the building according to these instructions, and use only the hardware supplied.
- To avoid possible electrical shock, before installing your fan, disconnect the power by turning off the circuit breakers to the outlet box and associated wall switch location. If you cannot lock the circuit breakers in the off position, securely fasten a prominent warning device, such as a tag, to the service panel.
- All wiring must be in accordance with national and local electrical codes and ANSI/NFPA 70. If you are unfamiliar with wiring, use a qualified electrician.
- To reduce the risk of personal injury, do not bend the blade attachment system when installing, balancing, or cleaning the fan. Never insert foreign objects between rotating fan blades.
- To reduce the risk of fire, electrical shock, or motor damage, do not use a solid-state speed control with this fan. Use only Hunter speed controls.

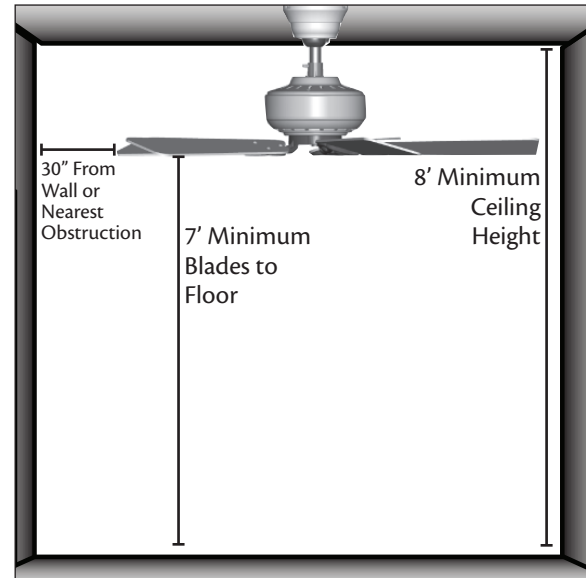
Preparing the Fan Site

Step 1 - Choose the Fan Site

Proper ceiling fan location and attachment to the building structure are essential for safety, reliable operation, maximum efficiency, and energy savings.

Choose a fan site where:

- No object can come in contact with the rotating fan blades during normal operation.
- The fan blades are at least 7 feet above the floor and the ceiling is at least 8 feet high.
- The fan blades have no obstructions to airflow, such as walls or posts, within 30 inches of the fan blade tips.
- The fan is directly below a joist or support brace that will hold the outlet box and the full weight of the fan.



Checklist for Existing Fan Site

If you want to use an existing fan site, complete the following checklist to determine if the site is acceptable and safe for your new Hunter fan. If you cannot check off every item, prepare a new fan site as described on this page.

Fan Support System

- Fan attaches directly to building structure.
- Fan support system will hold full weight of the fan and light kit.

Ceiling Hole

- The outlet box clearance hole is directly below the joist or support brace.

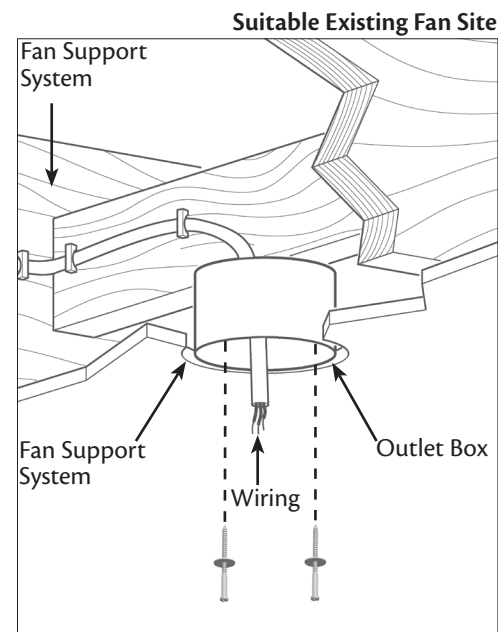
Outlet Box

- The outlet box is an UL-approved octagonal 4" x 1-1/2" outlet box (or as specified by the support brace manufacturer).
- The outlet box is secured to the joist or support brace by wood screws and washers through the inner holes of outlet box.
- The outer holes of the outlet box are aligned with joist or support brace.
- The bottom of the outlet box is recessed a minimum of 1/16" into ceiling.

Wiring

- The electrical cable is secured to outlet box by an approved connector.
- Six inches of lead wires extend from outlet box.

If your existing fan site is suitable, skip ahead to Section 2 • Installing the Ceiling Plate.



Preparing the Fan Site (continued)

Step 2 - Cut the Ceiling Hole

- 2-1. Locate the site for the ceiling hole directly below the joist or support brace that will hold the outlet box and fan.
- 2-2. Cut a 4" diameter hole through the drywall or plaster of the ceiling. You will use the hole to install the support brace and outlet box.

Step 3 - Install a Support Brace, If Necessary

Determine if there is a ceiling joist directly above the ceiling hole. If the joist is there, determine if it is positioned to allow you to recess the outlet box a minimum of 1/16" into the ceiling. If NOT, install a support brace as follows:

- 3-1. Attach a 2" x 4" support brace between two joists. Position it to allow you to recess the bottom of the outlet box a minimum of 1/16" into the ceiling.
- 3-2. Check the support brace to ensure it will support the full weight of the fan and light kit.

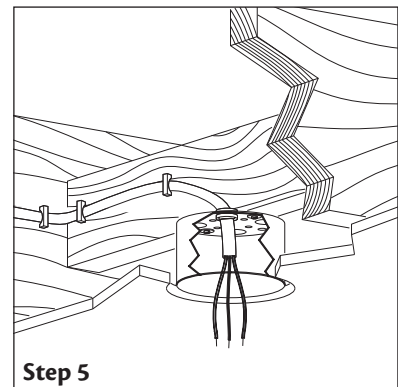
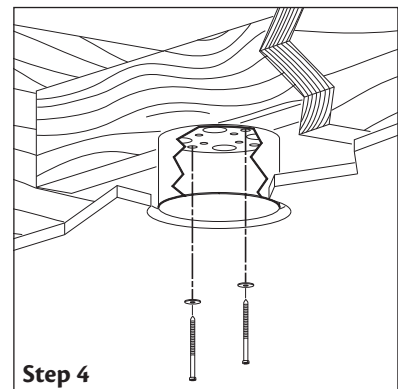
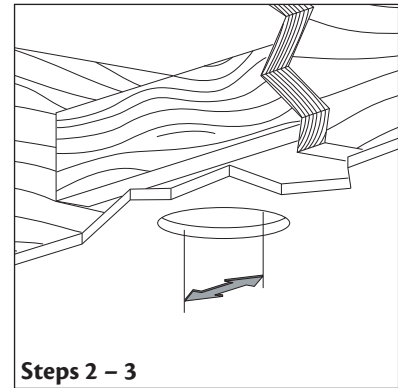
Step 4 - Install the Outlet Box

- 4-1. Obtain a UL-approved octagonal 4" x 1-1/2" outlet box, plus two #8 x 1-1/2" wood screws and washers, available from any hardware store or electrical supply house.
- 4-2. Orient the outlet box so that both the inner and outer holes in the box align with the joist or support brace.
- 4-3. Drill pilot holes no larger than the minor diameter of the wood screws (5/64") through the inner holes of the outlet box.
- 4-4. Attach the outlet box directly to the support brace or joist with two #8 x 1-1/2" wood screws and washers. The bottom of the outlet box must be recessed a minimum of 1/16" into the ceiling.

Step 5 - Prepare the Wiring

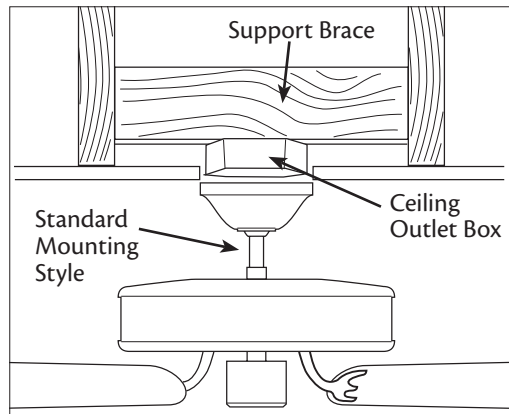
- 5-1. Make sure the circuit breakers to the fan supply line leads and associated wall switch location are turned off. If you cannot lock the circuit breakers in the off position, securely fasten a prominent warning device, such as a tag, to the service panel.
- 5-2. Thread the fan supply line through the outlet box so that the fan supply line extends at least 6" beyond the box.
- 5-3. Attach the fan supply line to the outlet box with an approved connector, available at any hardware store or electrical supply house.
- 5-4. Make certain the wiring meets all national and local standards and ANSI/NFPA 70.

You have now successfully prepared your ceiling fan site. For instructions to install your ceiling fan, go to your fan manual and continue with Section 2 • **Installing the Ceiling Plate.**

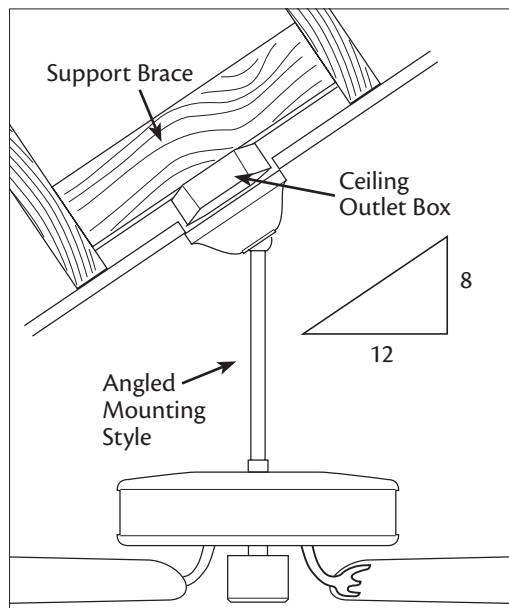


▲ CAUTION: All wiring must be in accordance with national and local electrical codes and ANSI/NFPA 70. If you are unfamiliar with wiring, use a qualified electrician.

Installer's Choice and Optional Accessories



Standard Mounting hangs from the ceiling by a downrod (included).



Angled Mounting recommended for a vaulted or angled ceiling

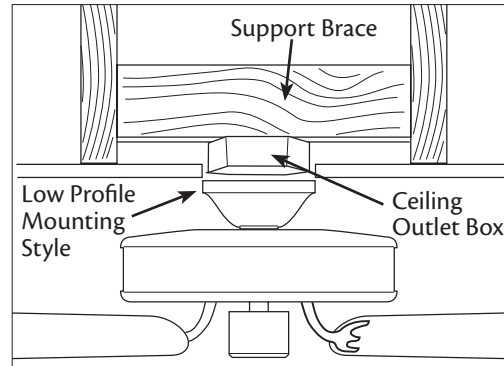
Understanding Mounting and Installer's Choice®

Hunter's patented 3-position mounting system provides you maximum installation flexibility and ease. You can install your Hunter fan in one of three ways, depending on ceiling height and your preference: Low Profile, Standard, or Angled mounting. The steps in this manual include instructions for all three Installer's Choice mounting methods.

Considering Optional Accessories

Consider using Hunter's optional accessories, including a wall-mounted or remote speed control. To install and use the accessories, follow the instructions included with each product. For quiet and optimum performance of your Hunter fan, use only Hunter speed controls.

For ceilings higher than 8 feet, you can purchase Hunter extension downrods. All Hunter fans use sturdy 3/4" diameter pipe to assure stability and wobble-free performance.



Low Profile Mounting fits close to the ceiling, recommended for ceilings less than 8 feet high

▲ CAUTION: To reduce the risk of personal injury, attach the fan directly to the support structure of the building according to these instructions, and use only the hardware supplied.

1 • Getting Ready

To install a ceiling fan, be sure you can do the following:

- Locate the ceiling joist or other suitable support in ceiling.
- Drill holes for and install wood screws.
- Identify and connect electrical wires.
- Lift 40 pounds.

If you need help installing the fan, your Hunter fan dealer can direct you to a licensed installer or electrician.

Gathering the Tools

You will need the following tools for installing the fan:

- Electric drill with 9/64" bit
- Standard screwdriver (magnetic tip recommended)
- Phillips-head screwdriver (magnetic tip recommended)
- Wrench or pliers
- Ladder (height dependent upon installation site)

Checking Your Fan Parts

Carefully unpack your fan to avoid damage to the fan parts. Refer to the included Parts Guide. Check for any shipping damage to the motor or fan blades. If any parts are missing or damaged, contact your Hunter dealer or call Hunter Technical Support Department at 888-830-1326 (In Canada, call 1-866-268-1936).

Preparing the Fan Site

Before you begin installing the fan, follow all the instructions in "Preparing the Fan Site." Proper ceiling fan location and attachment to the building structure are essential for safety, reliable operation, maximum efficiency, and energy savings.

Installing Multiple Fans?

If you are installing more than one fan, keep the fan blades and blade irons (if applicable) in sets, as they were shipped.

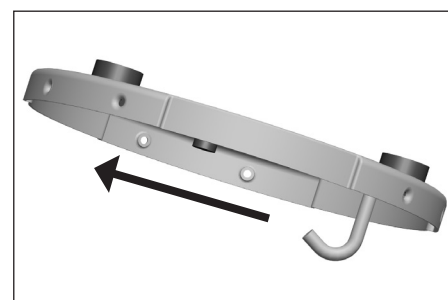
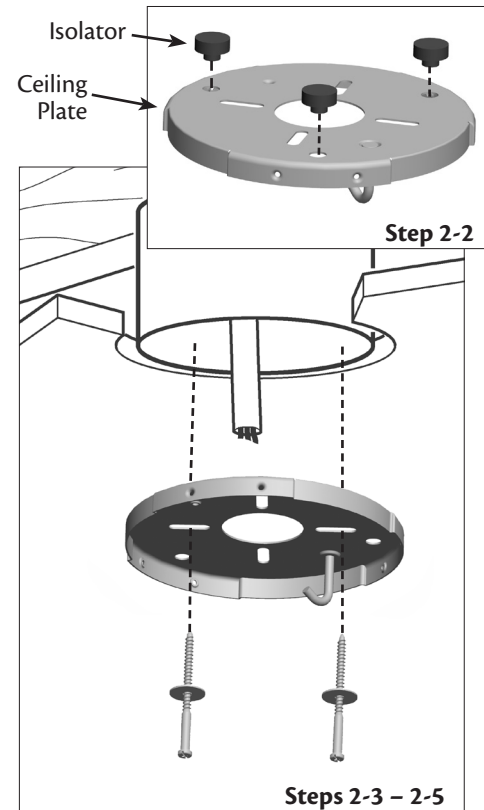
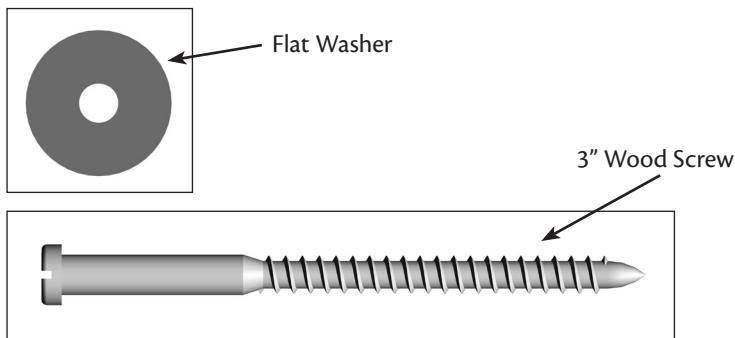
2 • Installing the Ceiling Plate

▲ CAUTION: To avoid possible electrical shock, before installing your fan, disconnect the power by turning off the circuit breakers to the outlet box and associated wall switch location. If you cannot lock the circuit breakers in the off position, securely fasten a prominent warning device, such as a tag, to the service panel.

- 2-1. Drill two pilot holes into the wood support structure through the outermost holes in the outlet box. The pilot holes should be $\frac{9}{64}$ " in diameter.
 - 2-2. Your fan comes with three neoprene noise isolators ("Isolators"). Position the isolators between the ceiling plate and ceiling by inserting the raised areas on each isolator into the holes in the ceiling plate.
 - 2-3. Thread the lead wires from the outlet box down through the hole in the middle of the ceiling plate.
 - 2-4. Align the slotted holes in the ceiling plate with the pilot holes you drilled in the wood support structure. For proper alignment use slotted holes directly across from each other.
- Note:** The isolators should be flush against the ceiling.

- 2-5. Place a flat washer on each of the two 3" wood screws and pass the screws through the slotted holes in the ceiling plate into the pilot holes you drilled.

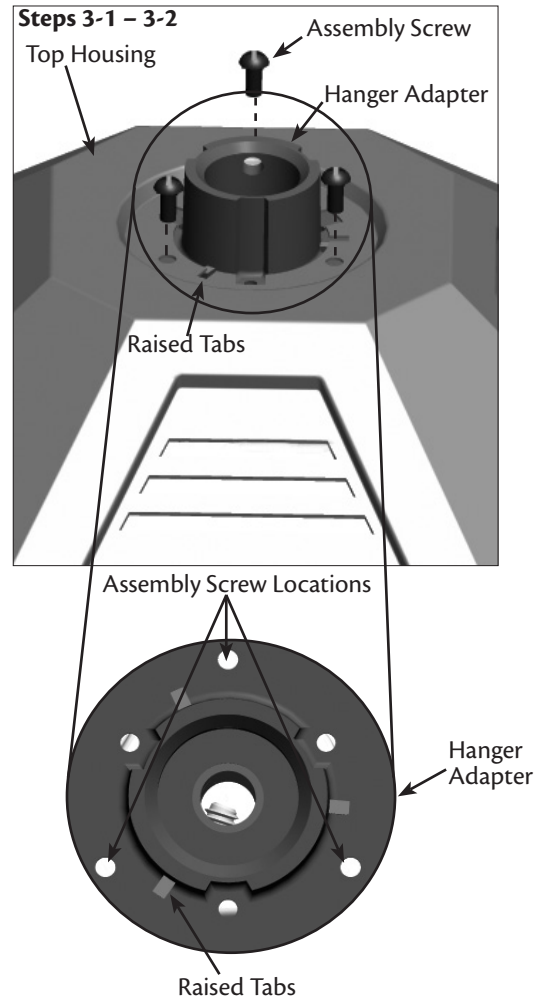
Tighten the screws into the $\frac{9}{64}$ " pilot holes; do not use lubricants on the screws. Do not over tighten.



For Angled Ceilings: Be sure to orient the ceiling plate so that the hook and one of the threaded screw holes in the ceiling plate are on the lower side.

3 • Assembling the Top Housing

- 3-1. To assemble the housing to the hanger adapter, align the three raised tabs on the hanger adapter with the three narrow notches in the top housing. Make certain the housing sits flat on the adapter.
- 3-2. Install three (3) assembly screws and tighten them securely.



4 • Assembling and Hanging the Fan

▲ WARNING: Fan may fall if not assembled as directed in these installation instructions.

4-1. Unbundle the wires from the fan.

For Standard or Angled mounting:

4-2. To assemble fan to hang down from a flat or angled ceiling, insert the downrod through the canopy. Feed the wires from the fan through the downrod.

4-3. Loosen the square head setscrew on the adapter to install the downrod. **Note:** When the downrod is fully installed, 2-3 threads on the pipe will still be visible; this is normal. Securely retighten the setscrew with a wrench or pliers. Skip to Step 5-7.

▲ CAUTION: The adapter has a special coating on the threads. Do not remove this coating; the coating prevents the downrod from unscrewing. Once assembled, do not remove the downrod.

For Low Profile mounting:

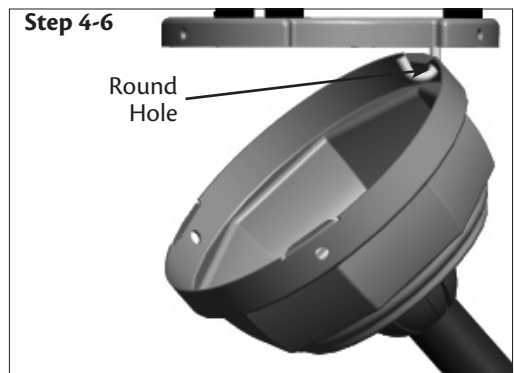
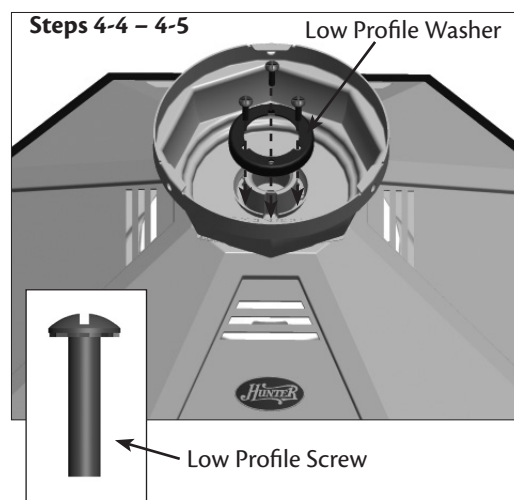
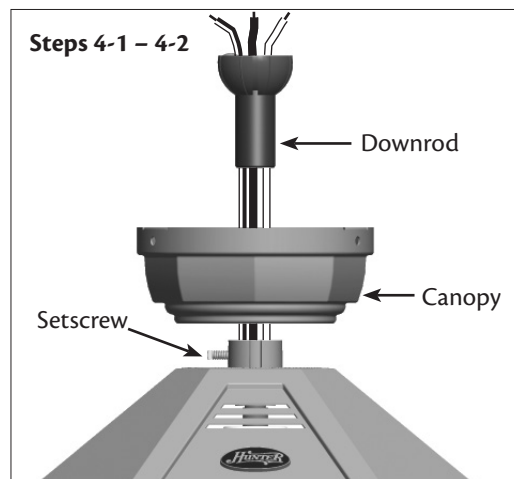
Note: For low profile mounting, the downrod is replaced with the low profile washer.

4-4. Remove the setscrew from the adapter.

4-5. Place the low profile washer (lip down) into the canopy. Be sure the green ground wire is pointing up toward the ceiling.

4-6. Align the holes in the washer with the holes in the adapter. Assemble securely with three low profile screws.

4-7. Raise the fan and place the hook on the ceiling plate through the round hole in the rim.



5 • Wiring the Fan

All wiring must be in accordance with national and local electrical codes and ANSI/NFPA 70. If you are unfamiliar with wiring, use a qualified electrician.

Wall switches are not included. Select an acceptable general-use switch in accordance with national and local electrical codes.

- 5-1. Before attempting installation, make sure the power is still off.
- 5-2. To connect the wires, hold the bare metal leads together and place a wire connector over them, then twist clockwise until tight. For all these connections use the wire connectors provided.
- 5-3. Connect the bare or green ground wire (grounding) from the ceiling to the green ground wire (grounding) from the ceiling plate and the green ground wire (grounding) from the fan or the green ground wire present on the low profile washer.
- 5-4. Connect the white wire (grounded) from the ceiling to the white wire (grounded) from the fan.
- 5-5. Connect the remaining wires as follows:

Dual Switch Wiring:

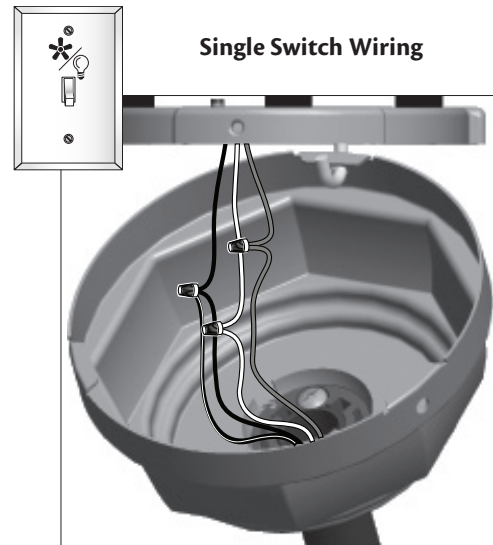
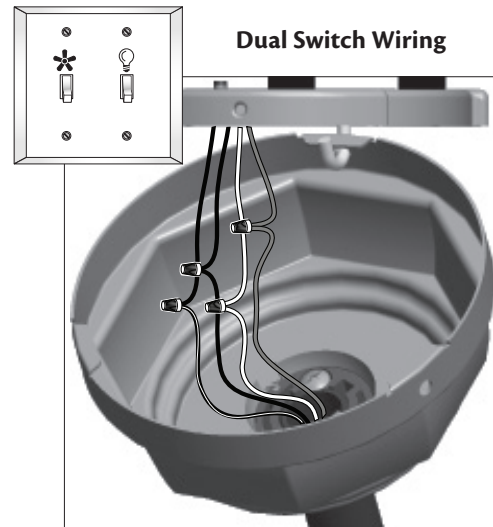
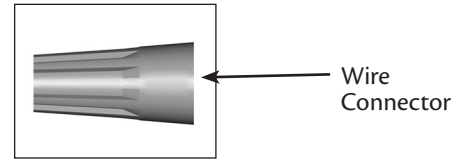
- The black wire (ungrounded) from the ceiling to the black wire (ungrounded) from the fan
- The black/white wire (ungrounded) from the fan to the wire (ungrounded) for the wall switch

Single Switch Wiring:

- The black wire (ungrounded) from the ceiling to the black (ungrounded) and the black/white wire (ungrounded) from the fan

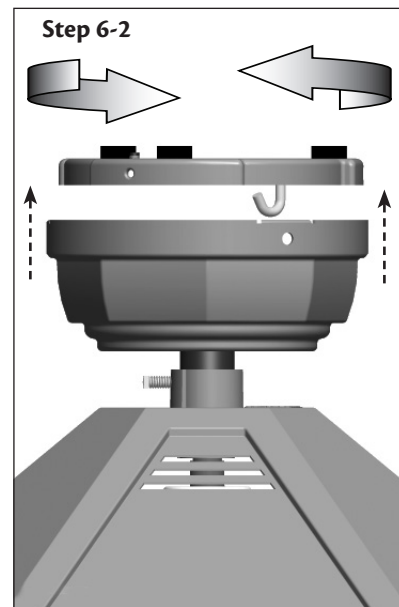
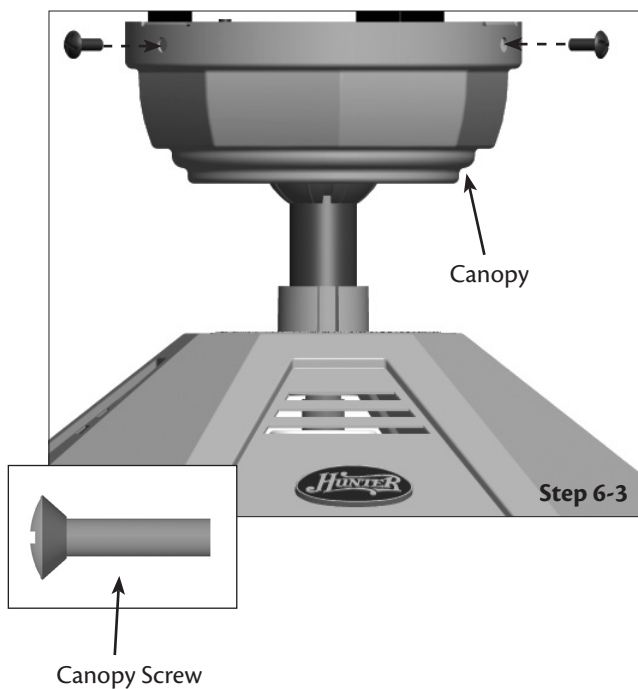
▲ CAUTION: Be sure no bare wire or wire strands are visible after making connections.

- 5-6. Turn the splices upward and push them carefully back through the ceiling plate into the outlet box.
- 5-7. Spread the wires apart, with the grounded wires on one side of the outlet box and the ungrounded wires on the other side of the outlet box.

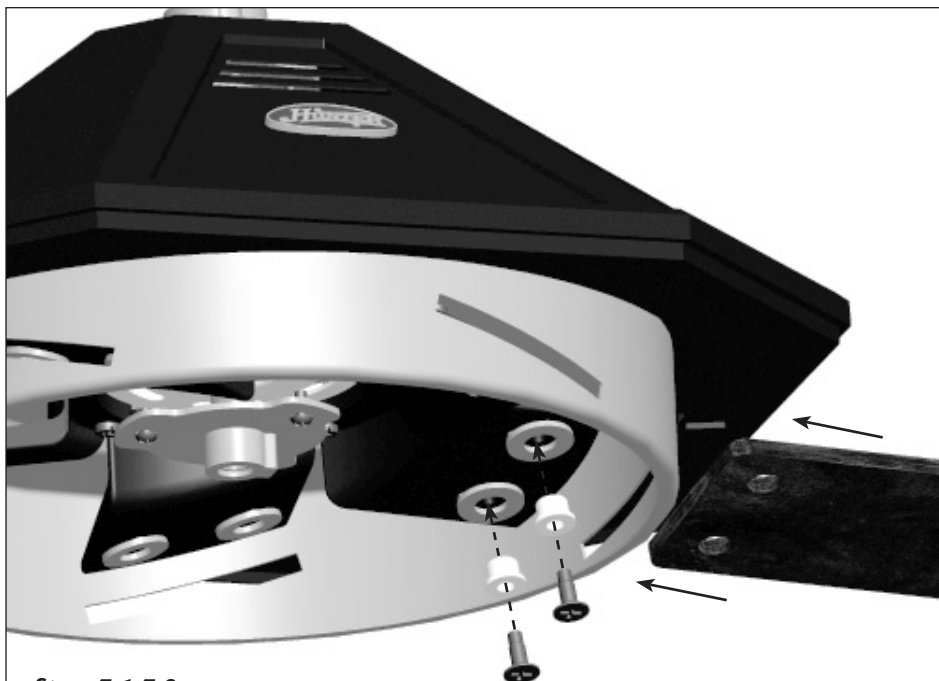


6 • Installing the Canopy

- 6-1. Holding the canopy, raise the fan off the hook.
- 6-2. Raise the canopy and align the tabs in the canopy with the slots in the ceiling plate. Turn the canopy counterclockwise until it locks into place and will not turn any more.
- 6-3. Insert and tighten the canopy screws securely.



7 • Assembling the Blades

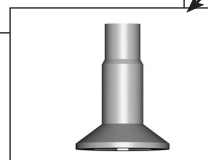


Steps 7-1-7-3

- 7-1. Insert blade into slot. Align the holes on the blade with the holes in the fan motor.
- 7-2. Slide blade grommets onto the shafts of the blade assembly screws.
- 7-3. Attach the blade to the motor using the blade assembly screws.
- 7-4. Repeat for each blade.

Note: When the screws are tight the blades may feel loose. This is normal when using grommets and will not be a problem

Blade Assembly
Screw



8 • Aligning the Fixture Fitter

8-1. Looking up at the bottom of the fan trim. Locate the raised arrow on the bottom of the trim. Before proceeding with the next step make sure you've located the arrow.

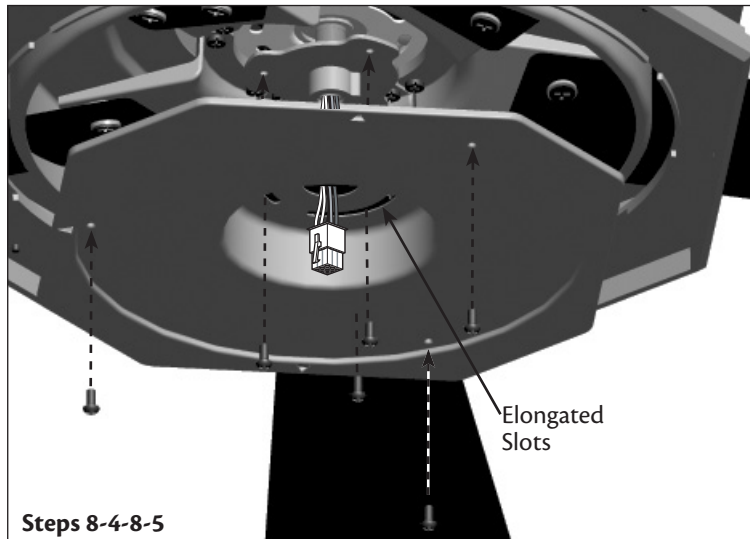
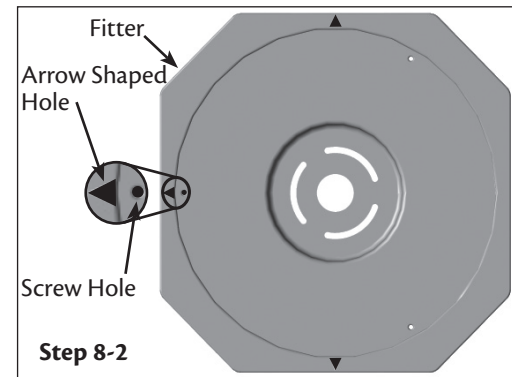
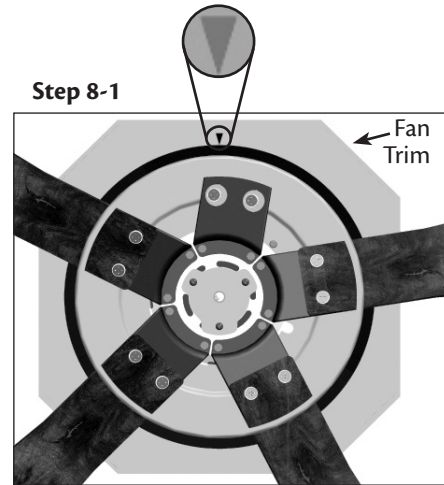
Note: You may have to rotate the fan blades in order to see the arrow.

8-2. The (8) sides of the fitter must be aligned with the matching (8) sides of the fan trim. To orient the fitter locate the (3) arrow shaped holes near the outer edges of the fitter.

8-3. Select the arrow which has a screw hole directly behind it, and align this arrow with the arrow in the trim.

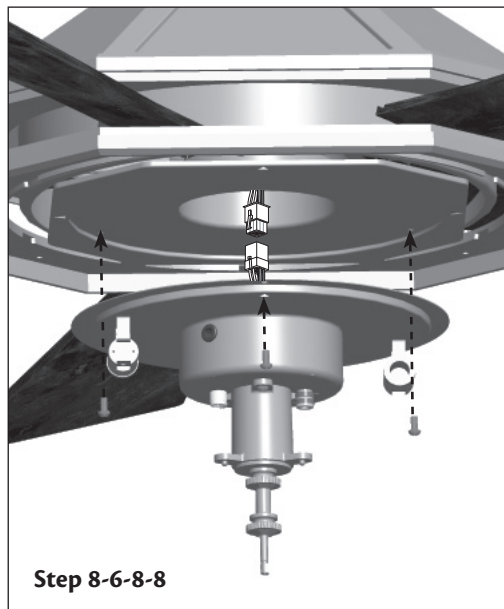
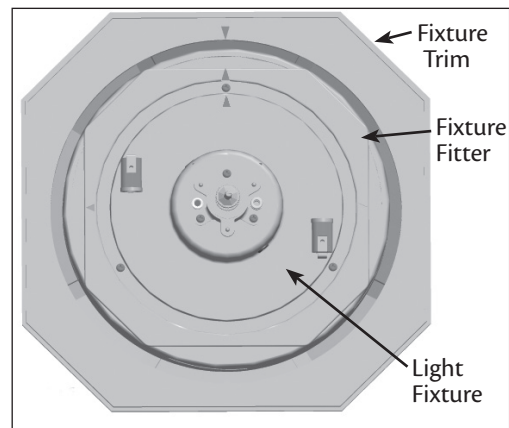
8-4. Thread the upper plug connector from the motor through the large hole in the center of the fitter.

8-5. Check the (3) elongated slots in the top of the fitter to see if they are aligned with the (3) mating screw holes in the fitter mounting plate. If any of the screw holes in the mounting plate are covered by the fitter, rotate the fitter ninety degrees either direction to allow access to the (3) mounting holes in the mounting plate. Assemble the fitter to the fitter mounting plate using (3) 3/8" long Phillips head screws with lock washers. Tighten securely.

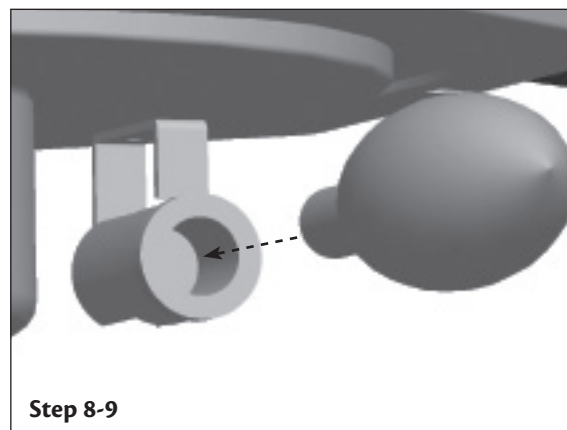


8 • Aligning the Fixture Fitter (Continued)

- 8-6. Plug the upper and lower plug connectors together. The connectors are keyed and will only go together one way. Before assembling the light fixture to the fixture fitter locate the arrow shaped hole positioned directly behind one of the (3) screw clearance holes on the outside flange of the light fixture.
- 8-7. Align the arrow in the light fixture with the arrows previously used to align the fan trim and fixture fitter.
- 8-8. Attach the light fixture to the fixture fitter using (3) 3/8" long Phillips round head screws with lock washers. Tighten the screws securely.



- 8-9. Install (2) candelabra base bulbs. Refer to maximum wattage label on light fixture for maximum lamp wattage.

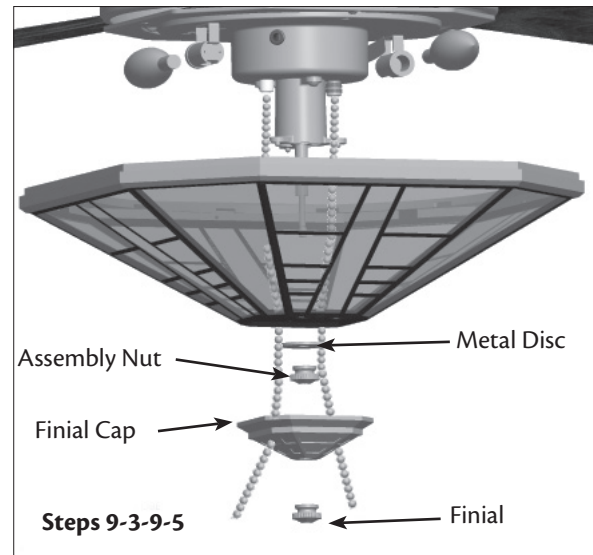
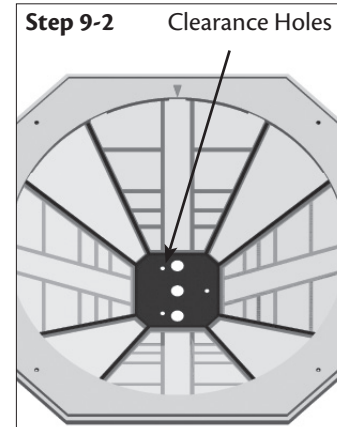
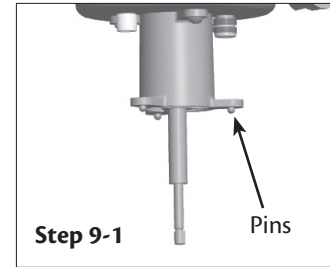


Note: In compliance with U.S. Federal energy regulations, this ceiling fan contains a wattage saver that restricts the light kit to a maximum of 190 Watts. Exceeding that limit or the specifications on the light sockets may result in fire hazard or improper operation. If lights do not appear to be operating properly, see the troubleshooting section

9 • Completing Your Installation With a Bowl Light Fixture

Installing the Glass Bowl

- 9-1. Locate the (3) pins at the bottom of the (3) flanges on the plastic spacer.
- 9-2. Align the (3) pins with the (3) small clearance holes in the metal plate at the bottom of the globe assembly. Make certain the (2) pull chains are aligned with the (2) larger outboard holes in the metal plate.
- 9-3. Guide the threaded tube and both the chains through the larger holes in the metal plate. Lift the globe until the metal plate in the bottom of the globe bottoms out against the plastic spacer with the (3) pins sticking through the small holes in the metal plate.
- 9-4. Keeping the globe in position, place the large flat washer over the threaded tube and against the bottom of the globe. Thread the assembly nut on the threaded tube, running it up tight against the bottom of the washer. Tighten the nut very securely.
- 9-5. Assemble the finial to the bottom of the light fixture by guiding the (2) pull chains and threaded tube through the (3) openings in the finial.



10 • Operating and Cleaning Your Ceiling Fan

10-1. Turn on electrical power to the fan.

10-2. The fan pull chain controls power to the fan. The pull chain has four settings in sequence: High, Medium, Low and Off.

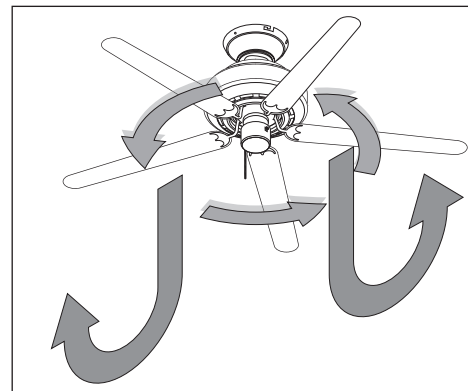
- Pull the chain slowly to change settings.
- Release slowly to prevent the chain from recoiling into the blades.
- The chain uses a breakaway connector that separates if the chain is jerked. If this happens, simply reinsert the chain into the connector.

10-3. The light pull chain controls the power to the light fixture. The chain has two settings: ON and OFF.

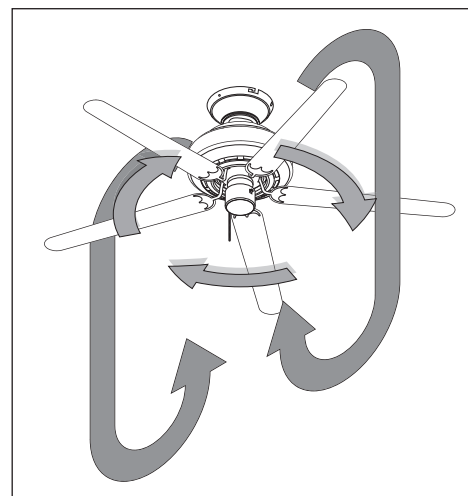
10-4. Ceiling fans work best by blowing air downward (counterclockwise blade rotation) in warm weather to cool the room with a direct breeze. In winter, having the fan draw air upward (clockwise blade rotation) will distribute the warmer air trapped at the ceiling around the room without causing a draft.

10-5. For cleaning finishes, use a soft brush or lint-free cloth to prevent scratching. A vacuum cleaner brush nozzle can remove heavier dust. Remove surface smudges or accumulated dirt and dust using a mild detergent and a slightly dampened cloth. You may use an artistic agent, but never abrasive cleaning agents as they will damage the finish.

10-6. Clean wood finish blades with a furniture polishing cloth. Occasionally, apply a light coat of furniture polish for added protection and beauty. Clean painted and high-gloss blades in the same manner as the fan finish.



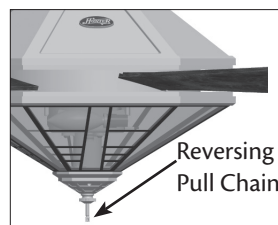
In warm weather, use downward air flow pattern



In cold weather, use upward air flow pattern

To Change Airflow Direction

Turn the fan off and let it come to a complete stop. Pull the reversing pull chain one time and then restart the fan.



11 • Troubleshooting

Problem: Nothing happens; fan does not move.

1. Turn power on, replace fuse, or reset breaker.
2. Loosen canopy, check all connections according to the wiring the fan section.
3. Check the plug connection in the switch housing.
4. Push motor reversing switch firmly left or right to ensure that the switch is engaged.
5. Pull the pull chain to ensure it is on.
6. Remove the shipping bumpers.

Problem: Noisy operation.

1. Tighten the blade assembly screws and blade iron armature screws until snug.
2. Check to see if the blade is cracked. If so, replace all the blades.

Problem: Excessive wobbling.

1. If your fan wobbles when operating, use the enclosed balancing kit and instructions to balance the fan.
2. Tighten all blade iron screws.
3. Turn power off, support fan very carefully, and check that the hanger ball is properly seated.

In compliance with U.S. Federal regulations, this ceiling fan contains a wattage saver that limits the light output to 190 Watts. The following issues may arise if total wattage exceeds 190 Watts:

Issue: Lights dim when turned on.

1. It is normal for the lights to dim a couple of seconds after they are turned on. To prevent the lights from dimming, make sure the wattage of light bulbs installed match the specifications on the light sockets.

Issue: Light shuts off suddenly.

1. Turn the power to the fan off at the wall switch. Wait 30 seconds, then resume power to the fan.
2. If lights shut off suddenly again, check to make sure total wattage of bulbs does not exceed 190 Watts.

If you need parts or service assistance, please call 888-830-1326 (In Canada, call 1-866-268-1936) or visit us at our Web site at <http://www.hunterfan.com>.

Hunter Fan Company
7130 Goodlett Farms Pkwy. #400
Memphis, Tennessee 38016