

GENERAL

1. To insure the success of this fixture installation, the following instructions and diagrams should be read and understood. All electrical connections must be made in accordance with the National Electric Code and local codes and ordinances. If you are uncertain of the methods of installing electrical wiring and lighting fixtures, secure the services of a qualified, licensed electrician.

2. **TOOLS NEEDED:** Blade screwdriver, slip joint pliers, wire cutter/stripper electrical current tester, plastic or rubber electrical tape, stepladder.

NOTE: The important safeguards and instructions outlined on this sheet are not meant to cover all possible conditions and situations that may occur. It must be understood that common sense, caution and care are factors that cannot be built into any product. Caution and care must be supplied by the person(s) installing operating and caring for this fixture

INSTALLATION PREPARATION

1. **TURN OFF THE ENTIRE ELECTRICAL CIRCUIT TO WHICH THE LIGHTING FIXTURE IS TO BE ATTACHED.** Move the appropriate circuit breaker to the "OFF" position or completely remove the fuse controlling the circuit.

2. If an existing fixture is being replaced, remove it and note to which of the wires in the mounting box the fixture was attached. **DO NOT SEPARATE ANY OTHER WIRES THAT MAY BE IN THE BOX. TAKE CARE NOT TO DAMAGE THE INSULATION OF OLDER WIRING.** In regular circumstances the **BLACK** wire will be the "Hot:" lead and the **WHITE** wire will be the "Neutral" or "Common" lead. A **GREEN** or **BARE COPPER** wire is the ground. In older buildings it is always good practice to reconfirm the polarity of the wiring.

3. This fixture is designed to be mounted on a standard round or octagon box. The box must be securely mounted to the structure of the building.

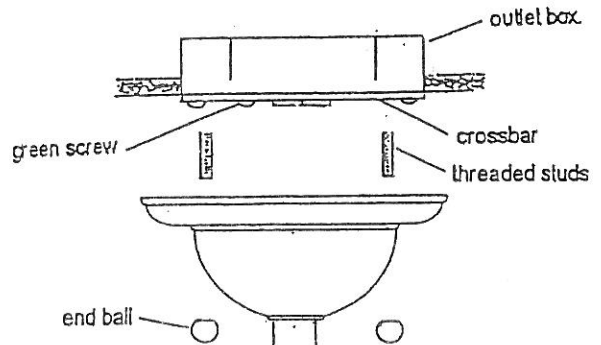
FIXTURE ASSEMBLY

1. Remove fixture, glass and parts bag from carton. Before discarding carton, double check to make sure that all parts are found.

2. The 9341 is supplied with 3 stem sections that can be used individually or combined to achieve a length of up to 36" in 6" increments. Decide on the stem length required and assemble the stem(s) to the holder/socket assembly. Assemble the sections as tightly as possible **HOWEVER, DO NOT** use pliers or other gripping tools directly on the metal parts. The surface of the parts will be damaged!

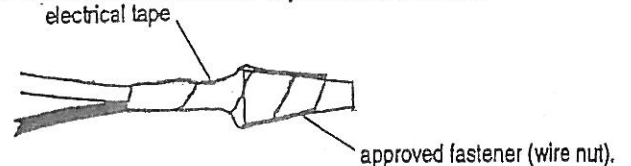
3. Assemble the canopy/swivel assembly to the stem assembly. If all three stems were not used then you must cut-off the excess wire leaving 6 to 8 inches beyond the canopy. Strip the insulation 1/2" to expose wire strands.

4. Install crossbar onto junction box, as shown. Start studs into crossbar, as shown.



5. Fasten the copper wire of the fixture to the green or bare copper wire in the box with an approved fastener (wire nut), or fasten to the crossbar with the green screw provided. **WARNING! NEVER FASTEN THE GROUND WIRE TO THE BLACK OR "HOT" WIRE! FAILURE TO FOLLOW THIS INSTRUCTION COULD RESULT IN SERIOUS INJURY OR DEATH!**

6. Connect the wire with the ridges on it to the white wire in the box. Fasten the wires together with approved fastener (wire nut). Starting about 1" below fastener, tightly wrap connection with electrical tape so that tape seals the end of the fastener. **Make sure that there is no exposed wire that could cause a dangerous short circuit!**



7. Connect the wire with the printing on it to the black wire in the box. Join as in step 6.

8. Slip the canopy of the fixture over the studs in the crossbar. Start endballs onto studs. Tighten the endballs to secure canopy to outlet box.

9. Install lamp (light bulb) in fixture. The 7620 fixture is rated for A or G type lamp 150 watt maximum. The 7630 fixture is rated for A or G type lamp 100 watt maximum. **DO NOT EXCEED RECOMMENDED WATTAGE!**

10. Install glass by slipping it over socket and into the brass glass holder and tighten the three thumb screws to hold securely in place.

11. Restore power to circuit at breaker or fuse box