

INSTALLATION INSTRUCTIONS

SAVE THESE INSTRUCTIONS

WARNING! Fixtures must be grounded and installed in accordance with the National Electrical Code and all local codes. Failure to do so may increase the **RISK OF PERSONAL INJURY, PROPERTY DAMAGE, FIRE AND DEATH**. Install and use so fixture failures do not cause a hazard and use only in environments for which the product is specifically marked.

WARNING! This product contains chemicals known to the State of California to cause cancer, birth defects, and/or other reproductive harm. Thoroughly wash hands after installing, handling, cleaning, or otherwise touching this product.

CAUTION! Follow ALL luminaire recommendations, product markings, instructions, restrictions and warnings regarding luminaire operation and burning position. Luminaire label shows electrical and environmental requirements and restrictions.

All electrical work must be done by a qualified electrician.

Turn off electric power to all affected circuits and allow to cool before servicing.

A regularly scheduled maintenance program should be established to retain optimum light output and reduce heat retention. Dusting with a soft, clean, dry cloth is normally sufficient for the optical system. Any accumulation of dust or dirt should be removed regularly.

Carefully read these instructions before installing product. If you do not understand these instructions, before starting any work, contact your Hubbell Lighting distributor or techsupport@hubbell-ltg.com or (864) 678-1000

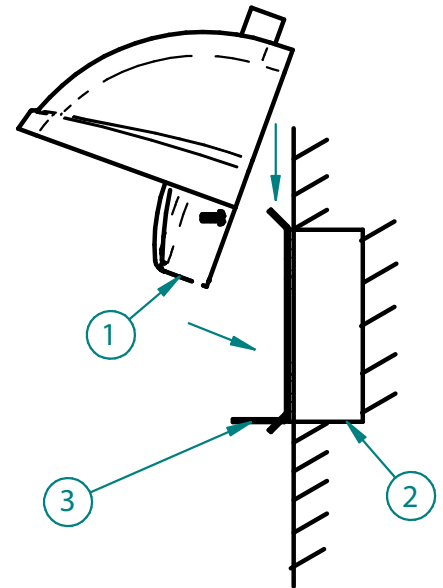
Give instructions to facility owner/manager for future reference.

TOOLS REQUIRED: (NOT INCLUDED) ANY TOOLS NEEDED FOR APPROPRIATE WALL FASTENERS, 1/8" ALAN WRENCH FOR SET SCREWS, PHILIPS HEAD SCREW DRIVER

PARTS REQUIRED: (NOT INCLUDED) SILICONE CAULK, WALL ANCHORS AND FASTENERS APPROPRIATE FOR WALL CONSTRUCTION TYPE

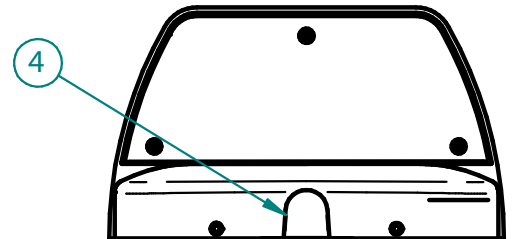
FIXTURE MOUNTING WITH JUNCTION BOX

1. ATTACH MOUNTING PLATE TO RECESSED JUNCTION BOX USING APPROPRIATE HARDWARE (SUPPLIED BY OTHERS)
2. PULL WIRES THROUGH GASKET AND MOUNTING PLATE.
3. WIRE SERVICE LEADS TO FIXTURE POWER LEADS ACCORDING TO LOCAL AND NATIONAL ELECTRICAL CODES. CONNECT GROUND WIRE TO GREEN WIRE. CONNECT BLACK TO BLACK AND WHITE TO NEUTRAL THEN PUSH CONNECTIONS BACK INSIDE THE JUNCTION BOX (2).
4. HOLD FIXTURE AT A SLIGHT ANGLE SLIDING THE ANGLED POINTS OF THE MOUNTING PLATE INTO THE MATCHING SLOTS ON THE BACK PLATE AND ROTATE THE FIXTURE DOWN OVER THE MOUNTING PLATE.
5. ENSURE THAT NO WIRES ARE BEING PINCHED OUTSIDE OF THE FIXTURES AND TIGHTEN THE TWO SET SCREWS (1) UNTIL FIXTURE IS SECURELY FASTENED.
6. APPLY CAULK OR RTV TO TOP AND SIDES OF THE FIXTURE WHERE IT MEETS THE WALL. (SUPPLIED BY OTHERS)



FIXTURE MOUNTING WITH CONDUIT

1. SLIDE CONDUIT TUBE THROUGH MOUNTING PLATE HOLE (3) AND AFFIX USING CONDUIT NUT. ATTACH MOUNTING PLATE TO WALL USING APPROPRIATE HARDWARE. (SUPPLIED BY OTHERS)
2. REMOVE CASTING PLUG (4) FROM BOTTOM OF FIXTURE.
3. WIRE SERVICE LEADS TO FIXTURE POWER LEADS ACCORDING TO LOCAL AND NATIONAL ELECTRICAL CODES. CONNECT GROUND WIRE TO GREEN WIRE. CONNECT BLACK TO BLACK AND WHITE TO NEUTRAL THEN PUSH CONNECTIONS INTO LOWERPART OF FIXTURE BELOW THE BACKPLATE.
4. HOLD FIXTURE AT A SLIGHT ANGLE SLIDING THE ANGLED POINTS OF THE MOUNTING PLATE INTO THE MATCHING SLOTS ON THE BACK PLATE AND ROTATE THE FIXTURE DOWN OVER THE MOUNTING PLATE.
5. ENSURE THAT NO WIRES ARE BEING PINCHED OUTSIDE OF THE FIXTURES AND TIGHTEN THE TWO SET SCREWS (1) UNTIL FIXTURE IS SECURELY FASTENED.
6. APPLY CAULK OR RTV TO TOP AND SIDES OF THE FIXTURE WHERE IT MEETS THE WALL. (SUPPLIED BY OTHERS)



ACRYLIC DIFFUSER

ACRYLIC DIFFUSER IS INCLUDED FOR USE IF A MORE DIFFUSE PHOTOMETRIC APPEARANCE IS DESIRED

ACRYLIC DIFFUSER ATTACHMENT:

1. REMOVE 3 SCREWS (5) LOCATED ON OUTER EDGE OF BEZEL
2. INSTALL ACRYLIC DIFFUSER
3. REPLACE SCREWS

