

# Installation Instructions

For Semi-Flush 12-6740

**A278**

Page 1 of 2

**CAUTION: FAILURE TO INSTALL THIS FIXTURE PROPERLY MAY RESULT IN SERIOUS PERSONAL INJURY OR DEATH AND PROPERTY DAMAGE. We recommend installation by a licensed electrician.**

This product must be installed in accordance with applicable installation code(s), by a person familiar with the construction and operation of the product and the hazards involved.\*

**Caution:** Do not exceed maximum wattage noted on fixture. Use only recommended bulbs with fixture.

## To Install Fixture (Figure 1)

### Component Parts

- A Canopy
- B Cross Bar
- C Threaded Stud (2)
- D Knurled Balls (2)
- E Ground Screw

**Caution: Be sure power is off at the main breaker box prior to installation**

1. Thread studs (C) through appropriate holes in cross bar (B) to match hole centers in canopy (A). Move ground screw (E) to another available threaded hole if necessary.

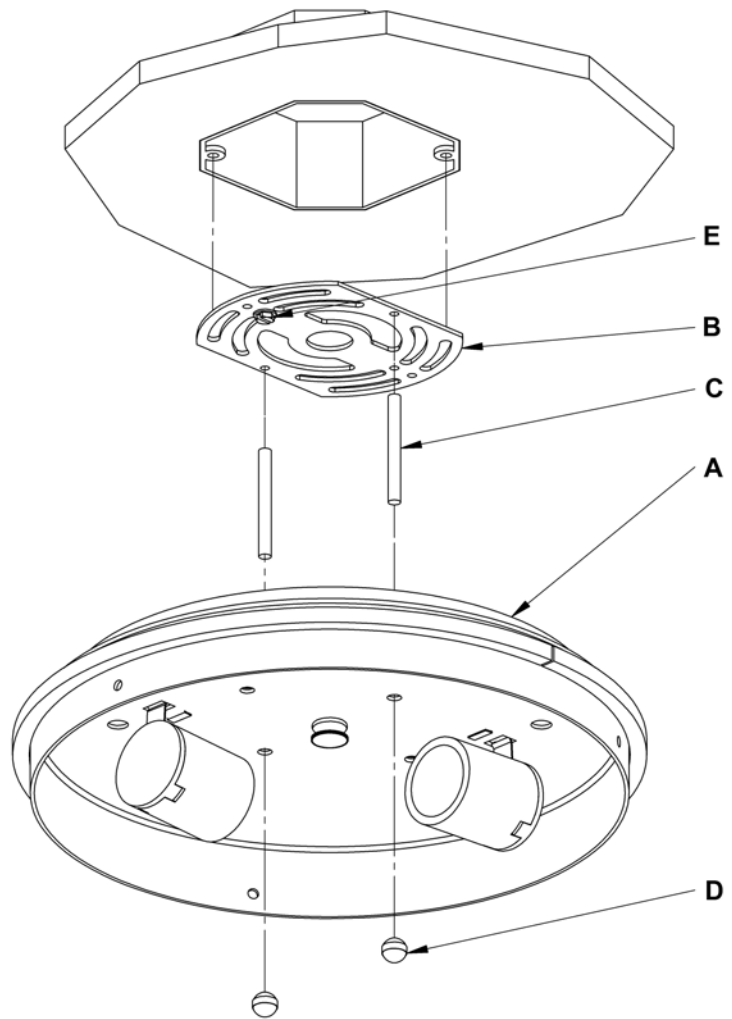
2. Using two machine screws (not provided) fasten cross bar (B) to the electric box using outer oval holes to orient fixture to desired hanging position.

**Note:** A new electric box comes with screws. When replacing an existing fixture, retain the screws for use with the new fixture.

3. Using suitable wire connectors (not provided); connect fixture wires to supply wires (white to white and black to black). Run a pigtail lead from crossbar ground screw (E) to the function box and connect all ground wires (Bare copper or green to bare copper or green).

**Caution:** Make sure wire connectors are twisted on securely, and no bare wire is exposed.

4. Slide fixture canopy (A) over threaded studs and push firmly to ceiling, making sure that no wires are pinched between fixture canopy and ceiling. Fasten with knurled balls (D). Be sure studs (C) are fully seated in knurled balls (D)



(Figure 1)

(continued)

# Installation Instructions

For Semi-Flush 12-6740

**A278**

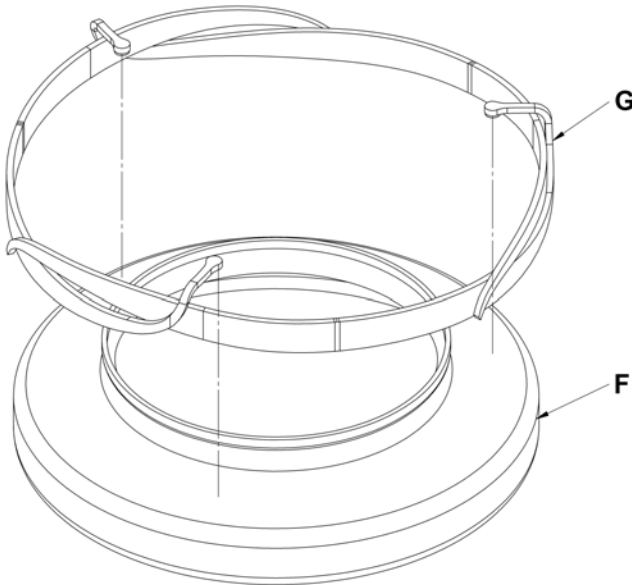
Page 2 of 2

## **To Install Glass** (Figures 2 & 3)

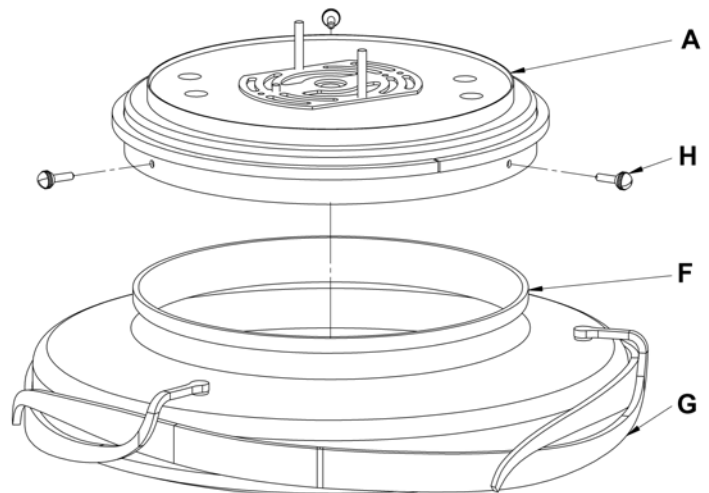
### Component Parts

- A Canopy
- F Glass
- G Decorative Assembly
- H Ball Head Screws (3)

1. Install Decorative Assembly (G) onto glass (F). (Figure 2)
2. Install light bulbs. (Not Included.)
3. Raise glass (F) with decorative assembly (G) and install into canopy (A). (Figure 3)
4. Install (3) Ball Head Screws (H) and tighten to secure glass. *Be sure not to over tighten.*
5. Restore electricity at main breaker.



(Figure 2)



(Figure 3)

*If you need further assistance, or find that you are missing any parts, please contact the dealer from which you purchased this product. We hope you enjoy your fixture!*

\* Hubbardton Forge will not be liable for injury or damage caused by improper installation, lamping or use of this fixture.