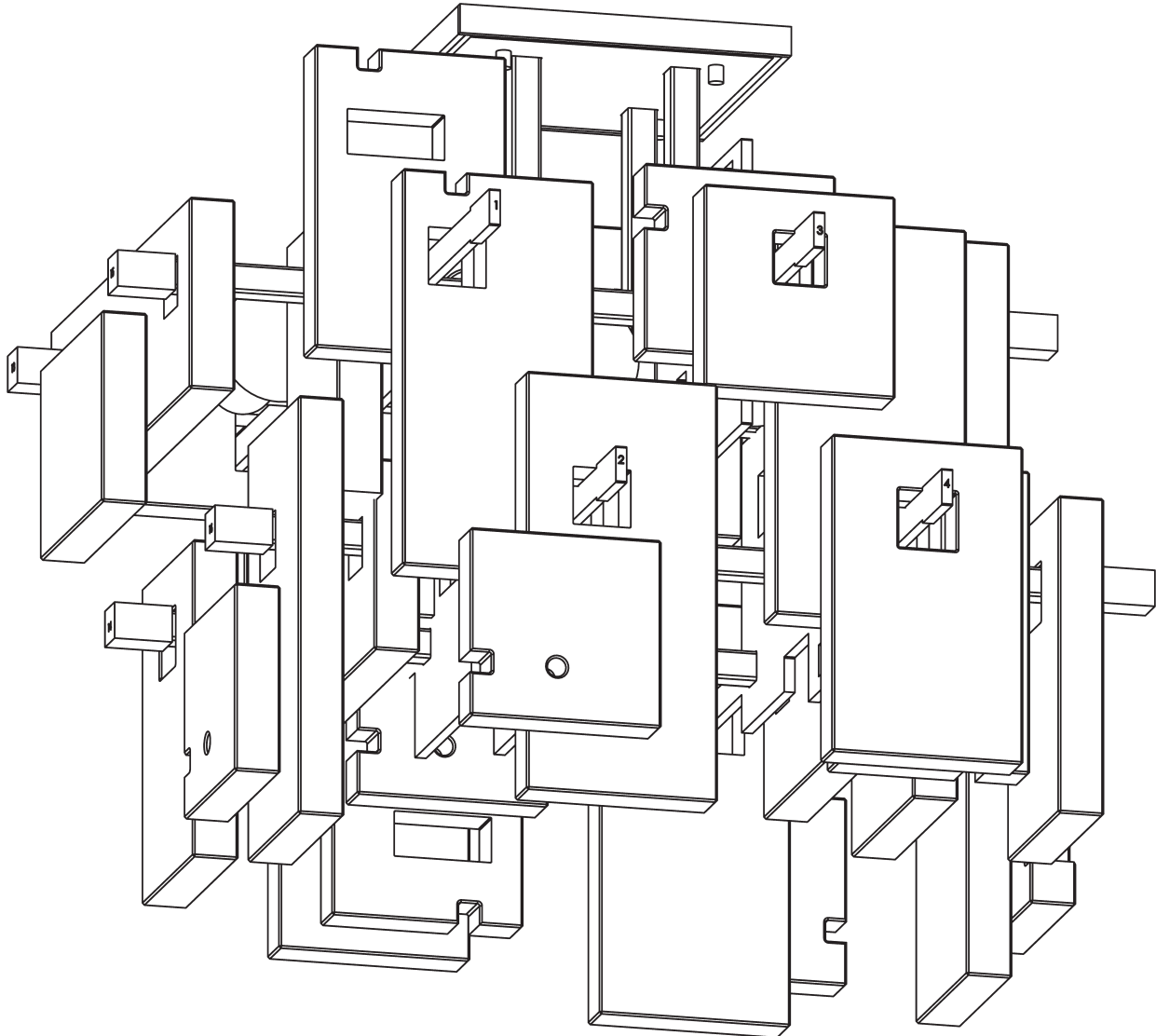


ASSEMBLY & INSTALLATION INSTRUCTIONS



ASSEMBLY & INSTALLATION INSTRUCTIONS

CAUTION: FAILURE TO INSTALL THIS FIXTURE PROPERLY MAY RESULT IN SERIOUS PERSONAL INJURY OR DEATH AND PROPERTY DAMAGE. We recommend installation by a licensed electrician. This product must be installed in accordance with applicable installation code(s), by a person familiar with the construction and operation of the product and the hazards involved.*

Caution: Do not exceed 40 watt bulbs for this fixture. Use only recommended bulbs with fixture.

INSTALL FIXTURE

CAUTION: BE SURE POWER IS OFF AT THE MAIN BREAKER BOX PRIOR TO INSTALLATION.

CAUTION: INSTALLATION REQUIRES 2 PEOPLE

1. Carefully unpack all items from the upper section of the crate. In the upper section you will find:

- Fixture
- Hardware Kit
- Light Bulbs

2. Glass is shipped in lower section. Do not unbox glass at this time.

CAUTION: DO NOT REMOVE LABELS FROM THE FIXTURE. LABELING OF THESE PIECES IS CRITICAL TO A SUCCESSFUL INSTALL.

3. Locate the fixture. Fixture is shipped with the mounting bracket attached to the fixture.
4. Unscrew (4) knobs from the mounting bracket. Lift mounting bracket away from the fixture. See Figure 1
5. Place mounting bracket over electrical box and secure loosely with (2) 8-32 machine screws. The screws can be found in the hardware bag. Orient mounting bracket to desired position. Tighten machine screws.
6. Attach mounting bracket to solid framing member in all 4 corners of the mounting bracket. It may be necessary to add additional framing members to adequately support this. We've supplied 5/16" x 2 1/2" lag screws with your fixture, however, different materials and/or construction methods may require different fasteners. **DO NOT RELY ON MACHINE SCREWS ALONE TO SUPPORT FIXTURE.**
7. Remove 8-32 screw from mounting bracket. Raise fixture up to ceiling and attach loose end of lanyard to mounting bracket with 8-32 screw. The lanyard will support the fixture while wiring. The lanyard also acts as a ground. Do not remove once wiring is complete.
8. Using suitable wire connectors (not provided), connect fixture wires to supply wires (white to white and black to black). Connect all ground wires (bare copper or green to bare copper or green) together.

Caution: Make sure wire connectors are twisted on securely and no bare wires are exposed.

9. Push wires and connectors into electrical box.
10. Lift fixture to ceiling and attach to mounting bracket with (4) knobs.
11. Install light bulbs into sockets. See Figure 2.
12. See page 5 for glass installation.

ASSEMBLY & INSTALLATION INSTRUCTIONS

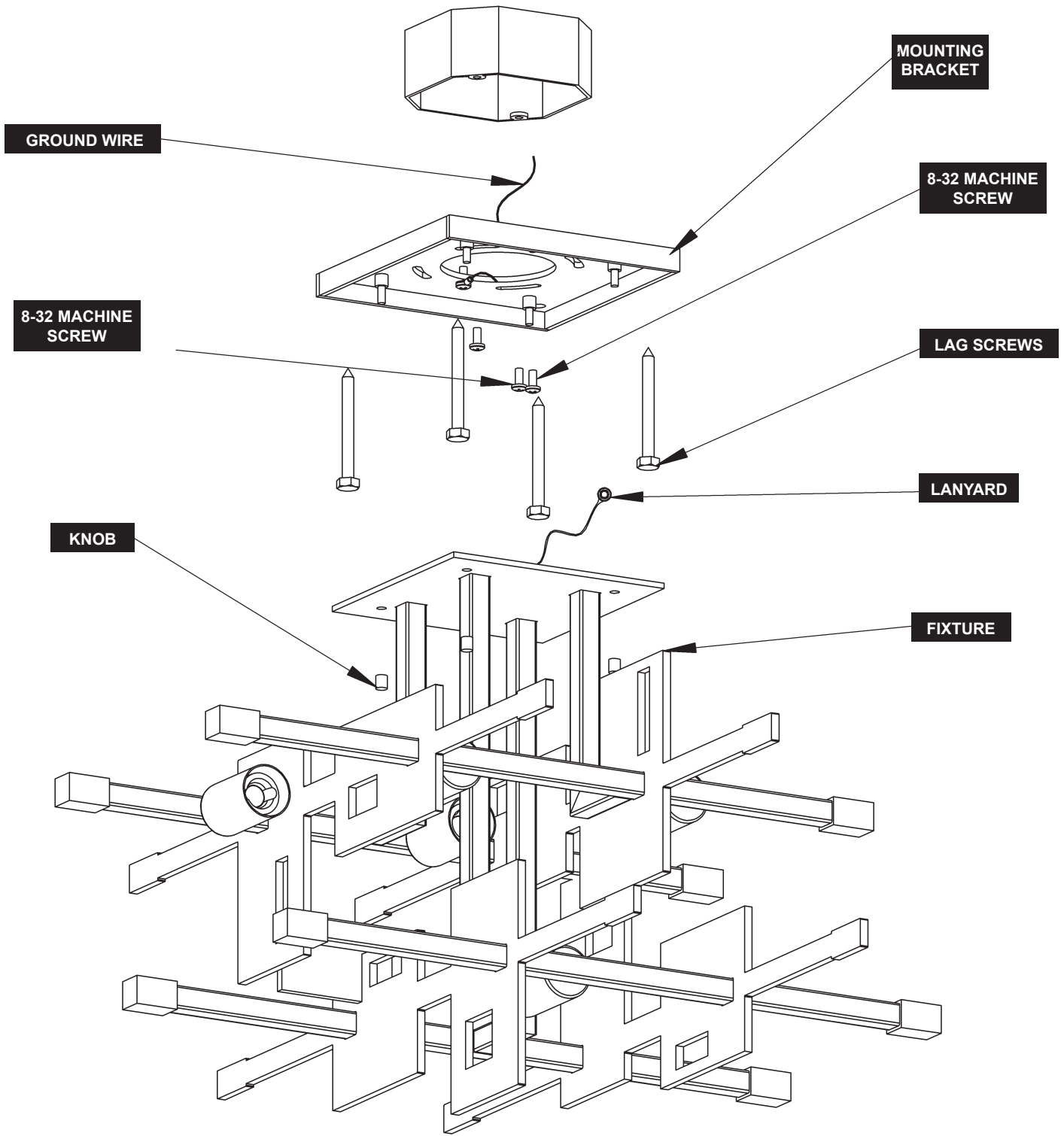


FIGURE 1

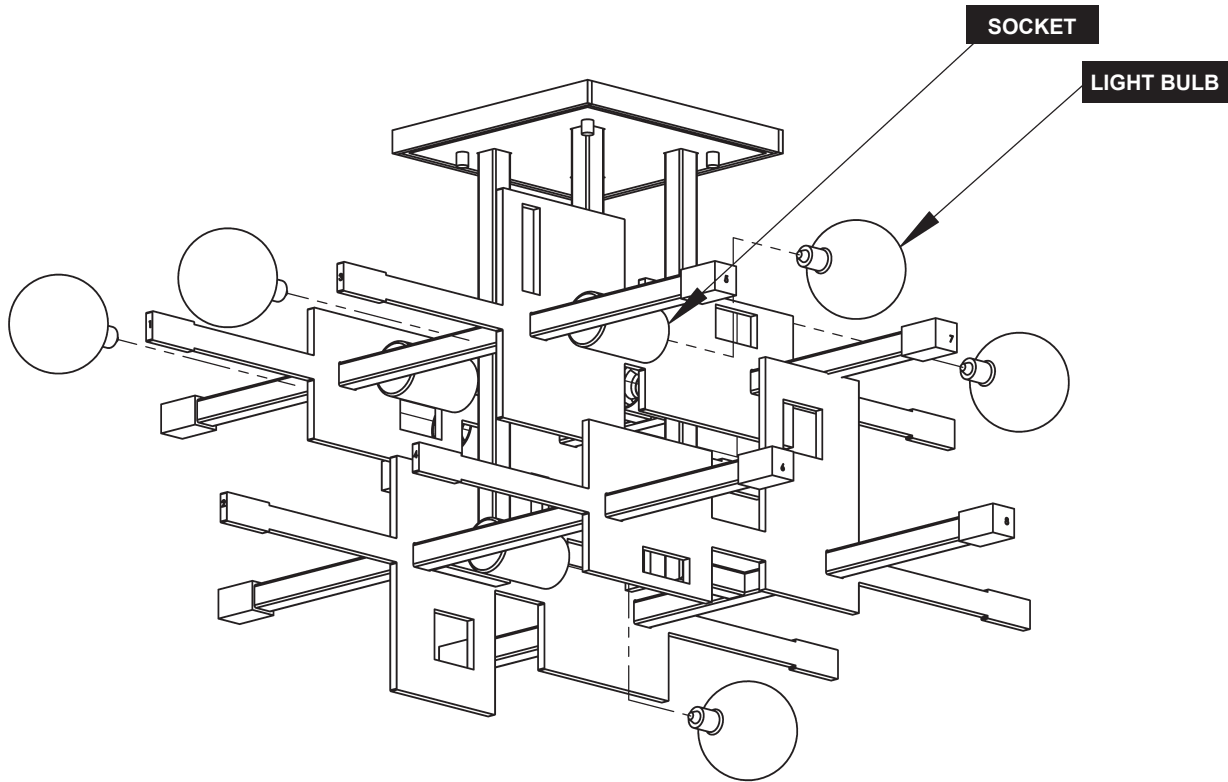


FIGURE 2

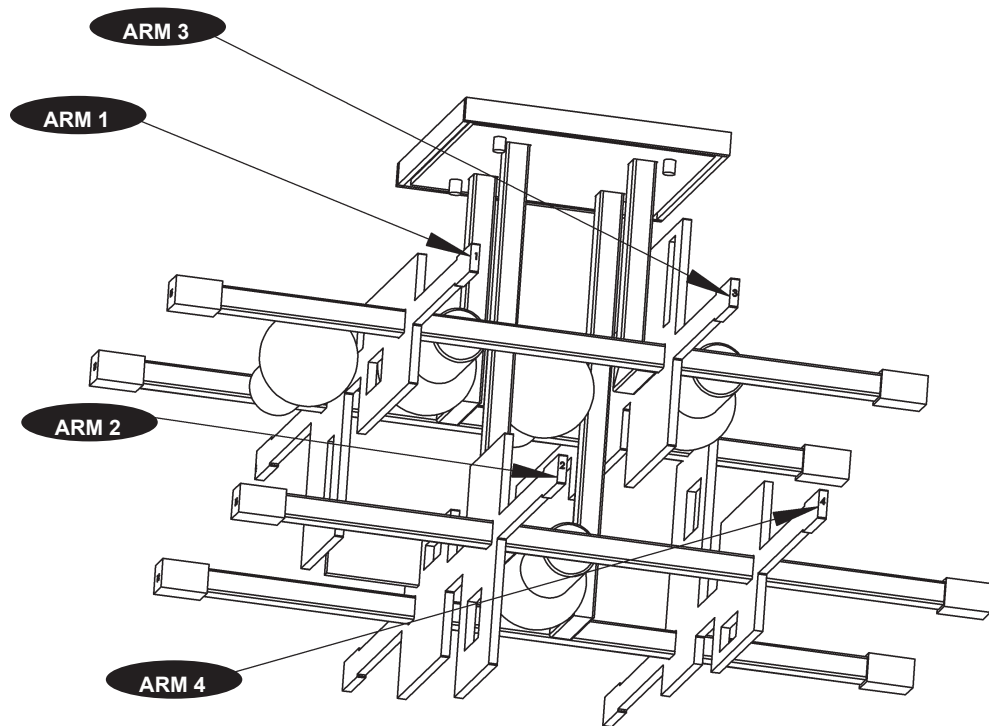
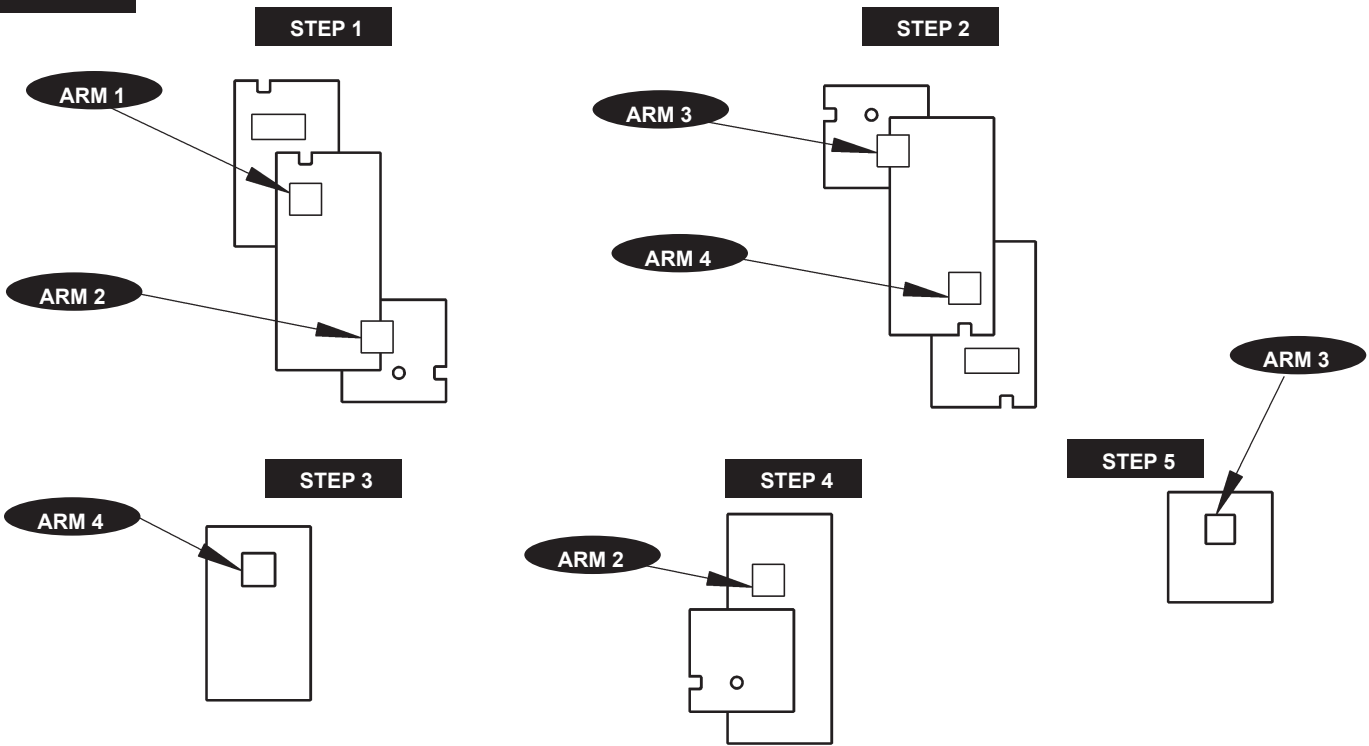
ASSEMBLY & INSTALLATION INSTRUCTIONS

INSTALL GLASS

1. This fixture uses 21 pieces of glass. The glass is grouped and shipped to you in boxes according to the assembly sequence. The glass is grouped into 4 boxes. Each box contains the glass for each side of the fixture. Box A contains the glass for the side of the fixture with arms labeled 1-4. Box B contains the glass for the side of the fixture labeled with arms 5-8. Box C contains the glass for the side of the fixture labeled with arms 9-12. Box D contains the glass for the side of the fixture labeled with arms 13-16. Each piece of glass is bagged and labeled according to the installation step and location.
2. Unpack the boxed glass from the lower section of the crate. **DO NOT UNBOX OR UNBAG GLASS UNTIL IT IS NEEDED FOR INSTALL.**
3. Each piece of glass has a glossy side and a matte side. When orienting glass for install sometimes it may be necessary to determine the glossy vs the matte side.
4. Utilizing the chart on page 10 and the pictures following, follow the steps to install the glass. Each box of glass is shown in the pictures. The pictures show the glass orientation as well as the arm of the fixture that the glass is to be placed.
5. After completing glass installation, remove labels from fixture.
6. Restore electricity to main breaker.

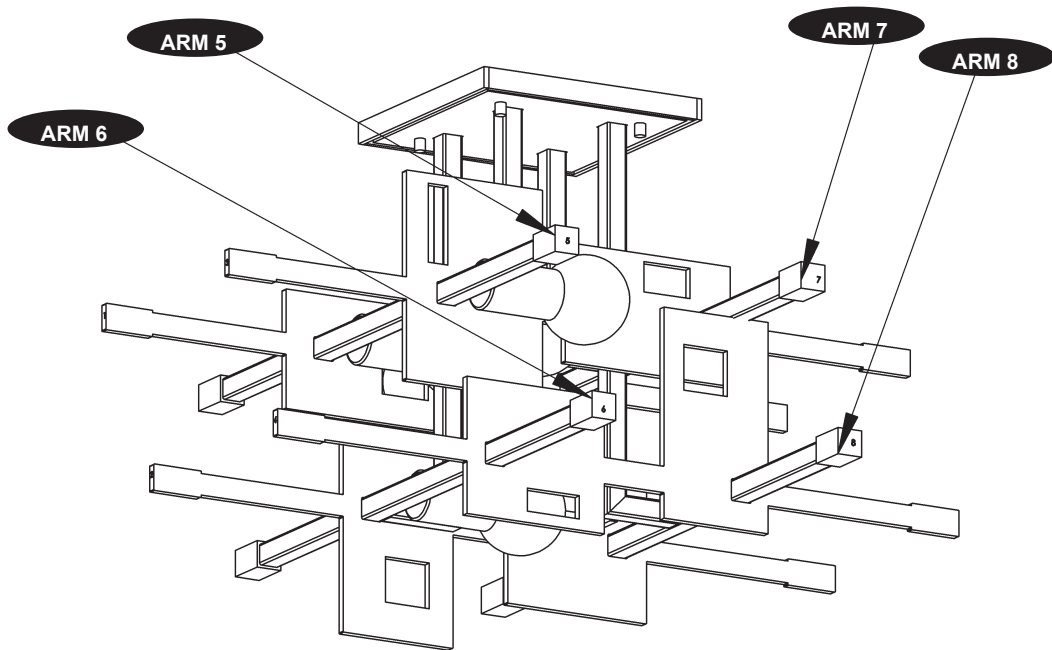
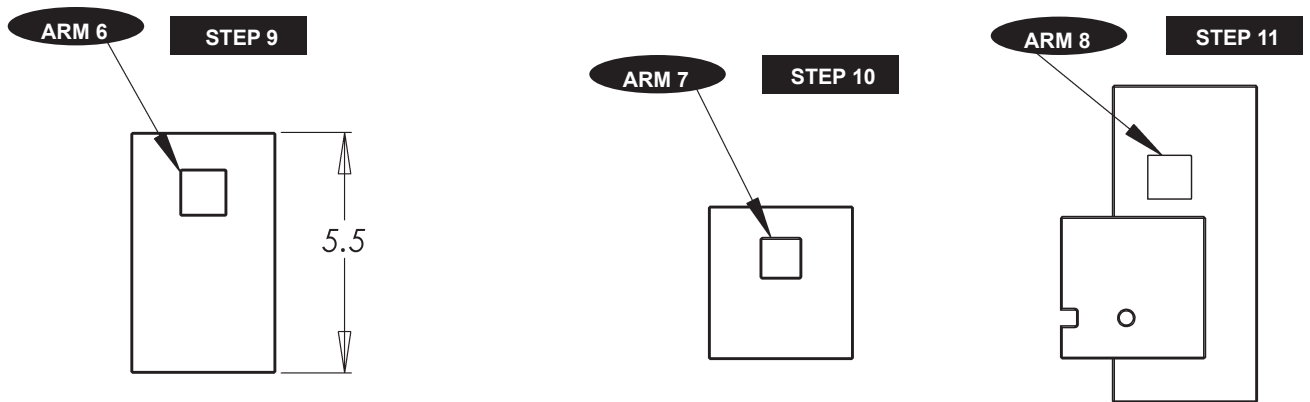
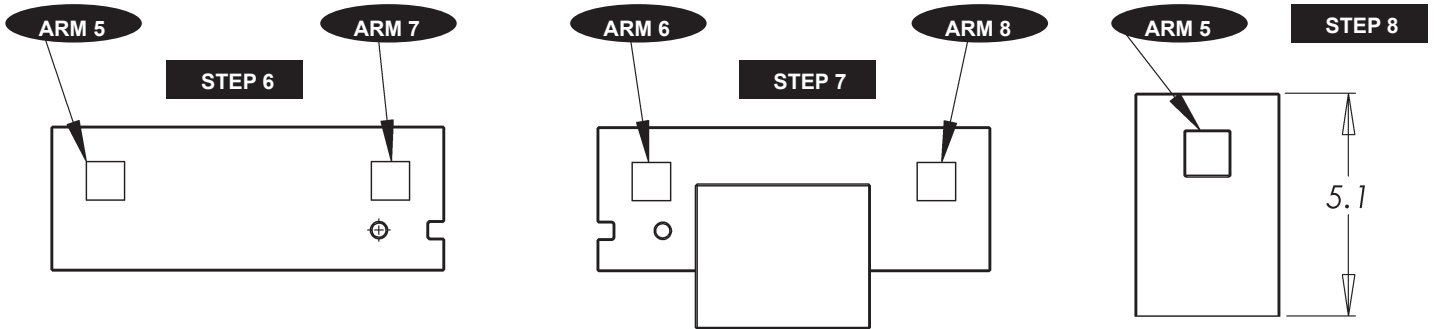
ASSEMBLY & INSTALLATION INSTRUCTIONS

BOX A



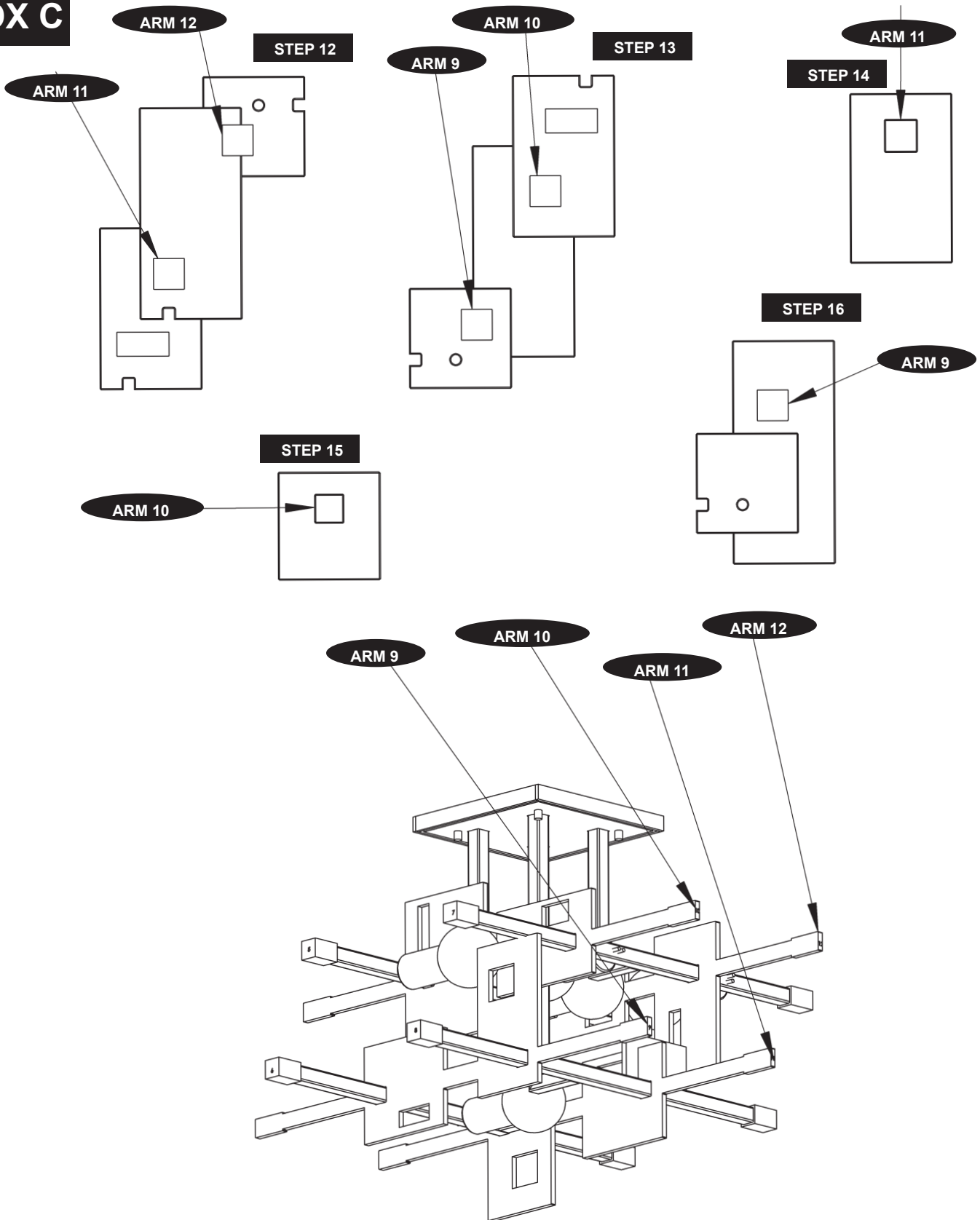
ASSEMBLY & INSTALLATION INSTRUCTIONS

BOX B



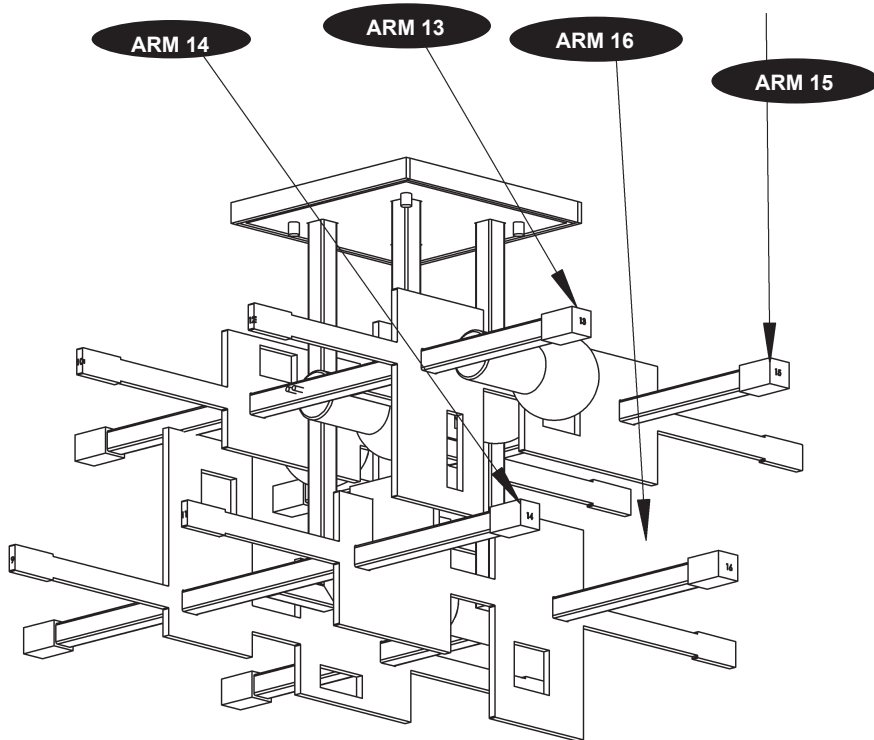
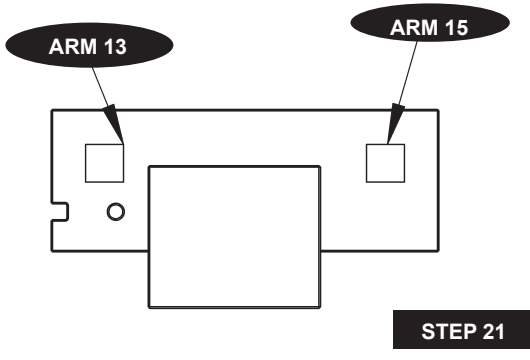
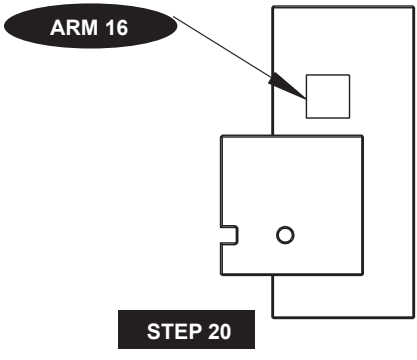
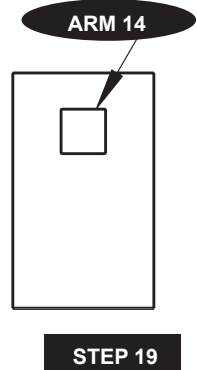
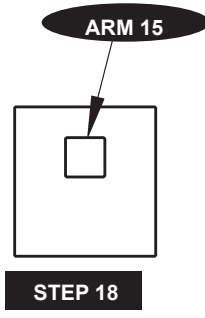
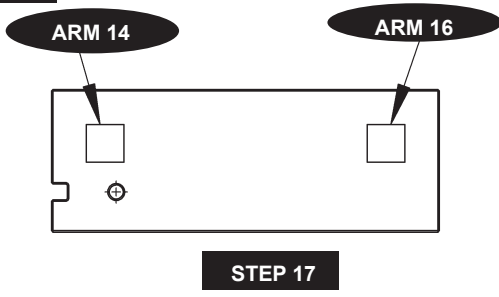
ASSEMBLY & INSTALLATION INSTRUCTIONS

BOX C



ASSEMBLY & INSTALLATION INSTRUCTIONS

BOX D



ASSEMBLY & INSTALLATION INSTRUCTIONS

	Step #	Arm #	Description
BOX A	1	1 & 2	Gloss out, Rectangle upper left
	2	3 & 4	Gloss out, Rectangle lower right
	3	4	
	4	2	Gloss Out
	5	3	
BOX B	6	5 & 7	Notch Right
	7	6 & 8	Gloss out
	8	5	
	9	6	
	10	7	
	11	8	Gloss out
BOX C	12	11 & 12	Gloss out, Rectangle lower left
	13	9 & 10	Muted out, Rectangle upper right
	14	11	
	15	10	
	16	9	Gloss out
BOX D	17	14 & 16	Notch Left
	18	15	
	19	14	
	20	16	Gloss out
	21	13 & 15	Gloss out

If you need further assistance, or find that you are missing any parts, please contact the dealer from which you purchased this product. We hope you enjoy your fixture!

**ART+ALCHEMY will not be liable for injury or damage caused by improper installation, lamping or use of this fixture.*