

## HOSPITALITY SERIES

### Bar Sink Model SCR-1515



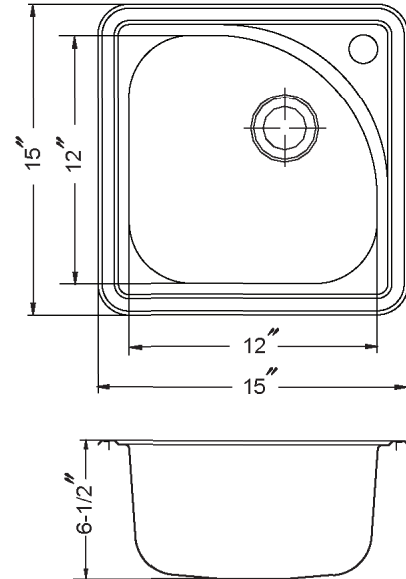
SCR-1515

### FEATURES

- Premium grade T-304 stainless steel
- 6-1/2" depth
- 19 gauge • 1 hole
- StoneGuard™ undercoating over Super-Silencer pad
- High polished ledge and satin finished bowl
- Fits 18" sink base
- 2" drain opening
- Supplied with fasteners and instructions
- Complies with ASME A112.19.3-2000, UPC®
- Lifetime Limited Warranty



ASME A112.19.3-2000



### OPTIONAL ACCESSORIES

Strainer: 190-4200

OVERALL DIMENSIONS	EACH BOWL	CUTOUT SIZE	PACKAGING*	WEIGHT*
15" x 15"	12" x 12"	14-1/4" x 14-1/4"	1/40/40 pcs.	6/270/180 lbs.

\*Standard packaging: Single boxed /Pallet of single boxed/Pallet of bulk pack.  
All dimensions are in inches. Specifications subject to change without notice.

Project/Job name \_\_\_\_\_

Architect/Engineer \_\_\_\_\_

Contractor \_\_\_\_\_

Model \_\_\_\_\_ Q'ty \_\_\_\_\_

Notes \_\_\_\_\_

### Installation profile

