

PREMIERE DESIGNER SERIES

Topmount 80/20 Double Bowl

Model **PMG-3322SR** as shown

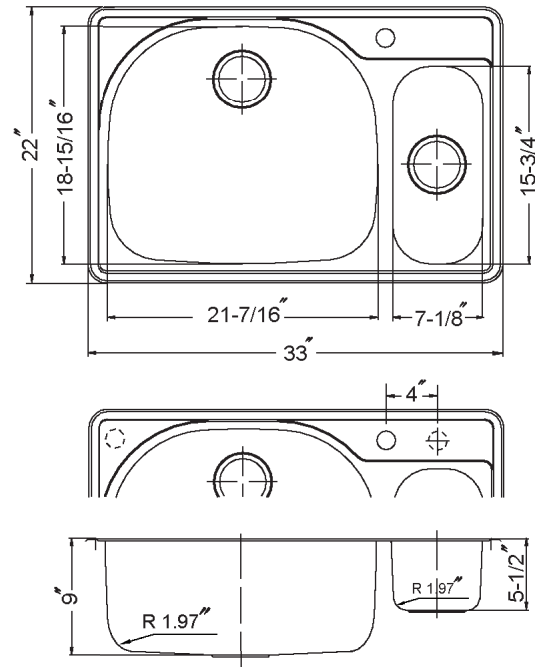
PMG-3322SL small bowl left



FEATURES

- Premium grade T-304 stainless steel
- 9" & 5-1/2" depth • 18 gauge
- 1 hole standard, optional 2 or 3 holes
- StoneGuard™ undercoating over Super-Silencer pad
- Lustrous satin with highlighted rim
- Fits 36" sink base • 3-1/2" drain opening
- Supplied with fasteners and instructions
- Complies with ASME A112.19.3-2000, UPC®
- Lifetime Limited Warranty

PMG-3322SR



OPTIONAL ACCESSORIES

Bottom Grid: BG-1100 & BG-2400 Rinsing Basket: RB-2400

Cutting Board : CB-2400 Strainer: 190-9180

Colander : CL-1120

OVERALL DIMENSIONS	EACH BOWL	CUTOUT SIZE	PACKAGING*	WEIGHT*
33" x 22"	21-7/16" x 18-15/16" 7-1/8" x 15-3/4"	32-1/4" x 21-1/4"	1/14/12pcs.	25/400/300 lbs.

*Standard packaging: Single boxed /Pallet of single boxed/Pallet of bulk pack.
All dimensions are in inches. Specifications subject to change without notice.

Project/Job name _____

Architect/Engineer _____

Contractor _____

Model _____ Q'ty _____

Notes _____

Installation profile

