

## MEDALLION DESIGNER SERIES

### Undermount Large Double Bowl Model MCS-3521SR



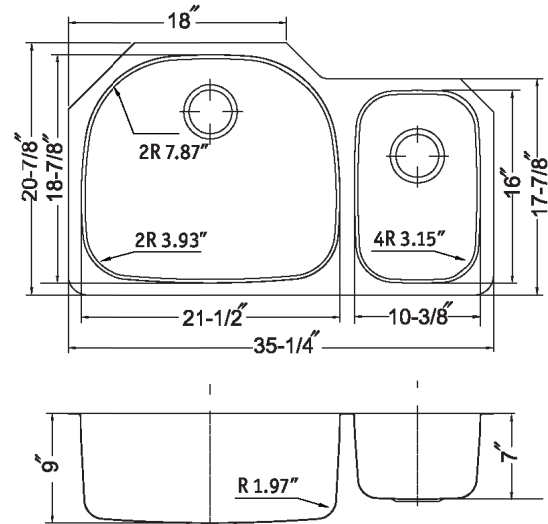
#### FEATURES

MCS-3521SR

- Premium grade T-304 stainless steel
- 9" & 7" depth • 18 gauge
- StoneGuard™ undercoating over Super-Silencer pad
- Lustrous satin with highlighted rim
- Fits 39" sink base • 3-1/2" drain opening
- Supplied with cutout template, fasteners and instructions
- Complies with ASME A112.19.3-2000, UPC®
- Lifetime Limited Warranty



ASME A112.19.3-2000



#### OPTIONAL ACCESSORIES

Bottom Grid: BG-2400

Cutting Board : CB-2400

Rinsing Basket : RB-2400

Strainer: 190-9180

OVERALL DIMENSIONS	EACH BOWL	CUTOUT SIZE	PACKAGING*	WEIGHT*
35-1/4" x 20-7/8"	21-1/2" x 18-7/8" 10-3/8" x 16"	See Template	1/16/20 pcs.	22/390/420 lbs.

\*Standard packaging: Single boxed / Pallet of single boxed/Pallet of bulk pack.  
All dimensions are in inches. Specifications subject to change without notice.

Project/Job name \_\_\_\_\_

Architect/Engineer \_\_\_\_\_

Contractor \_\_\_\_\_

Model \_\_\_\_\_ Q'ty \_\_\_\_\_

Notes \_\_\_\_\_

#### Installation profile

