

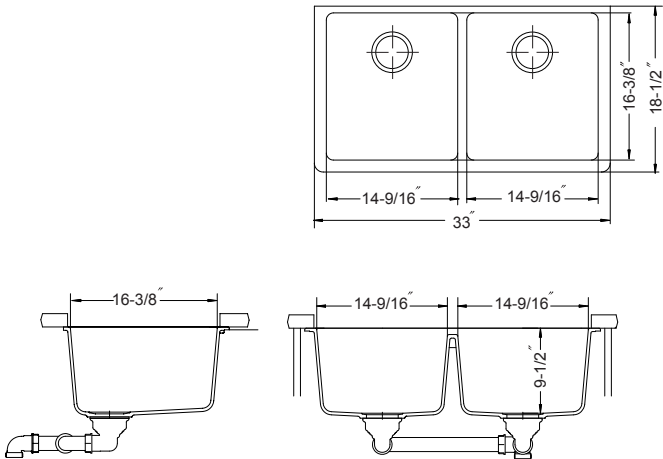
SCHOCK ◀ HOUZER
Undermount 50/50 Double Bowl
Model Madison N-200U



Madison N-200U

FEATURES

- CRISTALITE⁺
- 9-1/2" depth
- Intrinsically hygienic Non-porous surface
- Antibacterial protection with silver ion Antibac[®]
- Silky to the touch, 3 times harder than natural granite
- Food-safe, UV-stable-will not fade
- Heat resistance to +500°F
- Highest resistance to thermal shock, scratches and chips
- Color-fast throughout
- Fits 36" sink base • cUPC listed
- Supplied with cutout template, fasteners and instructions
- Lifetime Limited Warranty



OPTIONAL ACCESSORIES

Bottom Grid: 629719 Wire Tray: WT-3500
Cutting Board : CB-4100
Strainer Options: Stainless steel strainers, Color strainers, Color disposal flanges

OVERALL DIMENSIONS	EACH BOWL	CUTOUT SIZE	PACKAGING*	WEIGHT*
33" x 18-1/2"	14-9/16" x 16-3/8"	See Template	1/10 pcs.	54/580lbs.

*Standard packaging: Single boxed /Pallet of single boxed.
All dimensions are in inches. Specifications subject to change without notice.

Available Colors



Project/Job name
Architect/Engineer
Contractor
Model
Notes

Q'ty