

EPICURE SERIES

Apron Front 60/40 Double Bowl Model END-3360



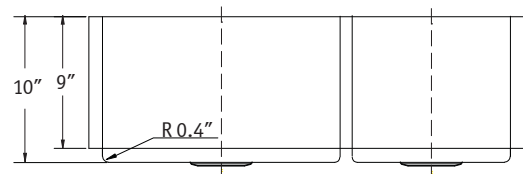
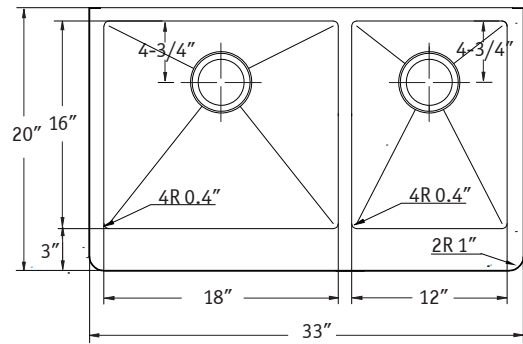
END-3360

FEATURES

- Premium grade T-304 stainless steel
- 10" depth • 16/18 gauge
- MegaShield™ insulation
- Farmhouse sink with apron
- 10mm/0.4" Radius Coved Corner • Apron 9" high
- Brushed satin, rear-set drain • 3-1/2" drain opening
- Fits 33" sink base • Requires Custom Cabinet
- Supplied with fasteners and instructions
- Complies with ASME A112.19.3-2000, cUPC®
- Lifetime Limited Warranty



ASME A112.19.3-2000



OPTIONAL ACCESSORIES

Bottom Grid: BG-5450, BG-5400

Cutting Board : CB-4500

Strainer: 190-9180

OVERALL DIMENSIONS	EACH BOWL	CUTOUT SIZE	PACKAGING*	WEIGHT*
33" x 20"	18" x 16", 12" x 16"	See Template	1/12 pcs.	42/540 lbs.

*Standard packaging: Single boxed /Pallet of single boxed.

All dimensions are in inches. Specifications subject to change without notice.

Project/Job name _____

Architect/Engineer _____

Contractor _____

Model _____ Q'ty _____

Notes _____

Installation profile

