

## MEDALLION GOURMET SERIES

### Undermount 50/50 Gourmet Double Bowl Model MGD-3120



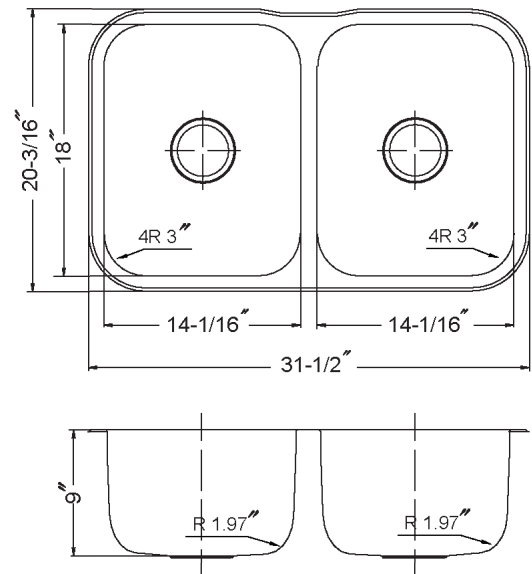
MGD-3120

#### FEATURES

- Premium grade T-304 stainless steel
- 9" depth • 18 gauge
- StoneGuard™ undercoating over Super-Silencer pad
- SpecPlus™ edge
- Lustrous satin with highlighted rim
- Fits 36" sink base • 3-1/2" drain opening
- Supplied with cutout template, fasteners and instructions
- Complies with ASME A112.19.3-2000, cUPC®
- Lifetime Limited Warranty



ASME A112.19.3-2000



#### OPTIONAL ACCESSORIES

Bottom Grid: BG-3400

Cutting Board : CB-3100

Strainer: 190-9180

OVERALL DIMENSIONS	EACH BOWL	CUTOUT SIZE	PACKAGING*	WEIGHT*
31-1/2" x 20-3/16"	14-1/16" x 18"	See Template	1/16/20 pcs.	23/400/440 lbs.

\*Standard packaging: Single boxed/Pallet of single boxed/Pallet of bulk pack.  
 All dimensions are in inches. Specifications subject to change without notice.

Project/Job name

Architect/Engineer

Contractor

Model

Q'ty

Notes

#### Installation profile

